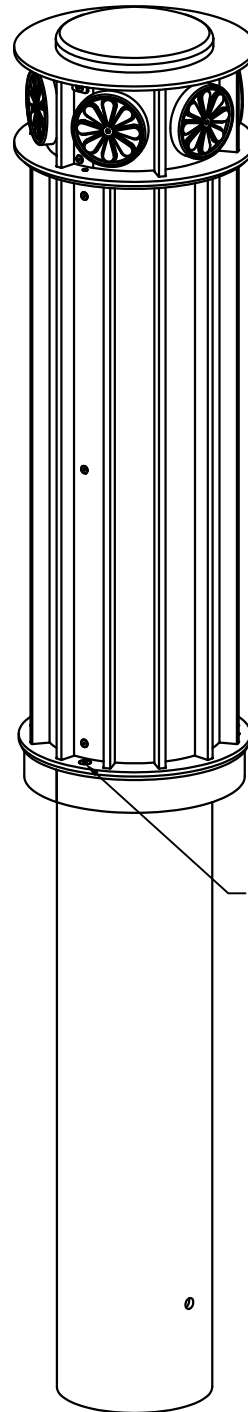
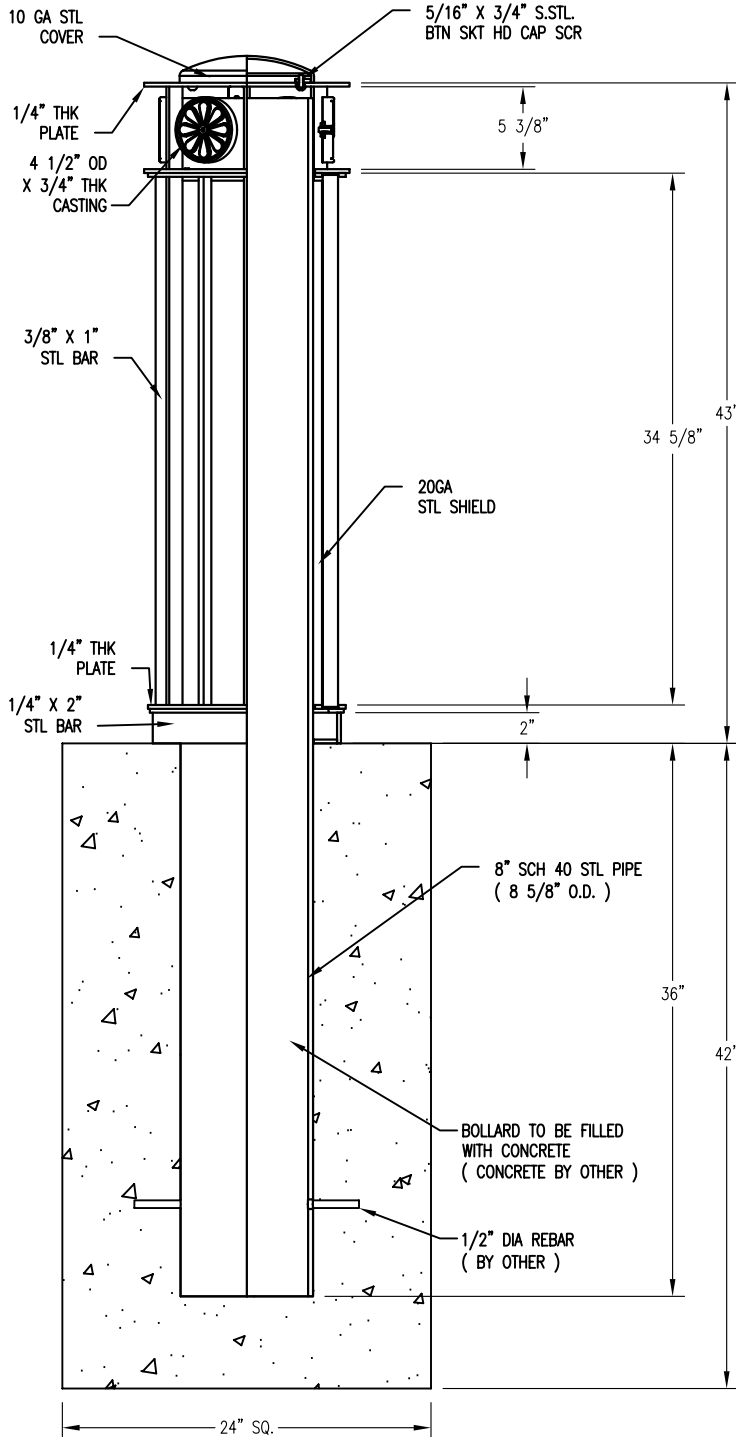


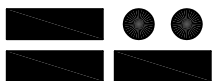
13 3/8" ϕ



5/16" X 1/2" S.STL.
FLT SKT HD BOLT

NOTES

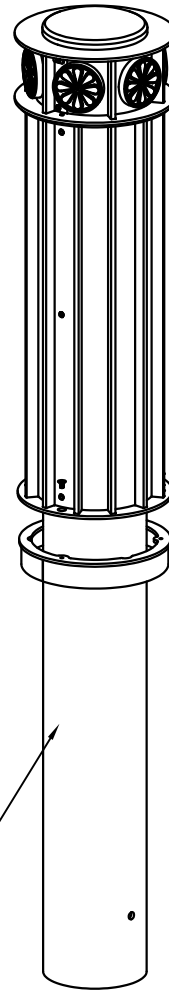
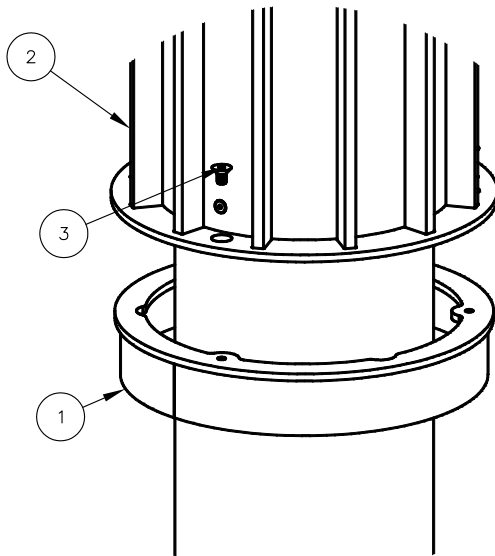
- 1.) STL. MEMBERS COATED W/ ZINC RICH EPOXY THEN FINISHED W/ POLYESTER POWDER COATING.



DuMor, inc.
P.O. Box 142 Mifflintown, PA 17059-0142

SCALE : NONE
DATE DRAWN : 11/14/05
DRAWN BY : JSB
DATE REV. : 03/17/09
REV. BY : ESS

| | | | |
|-----------------|-------------------------------|--------------|--|
| TITLE : BOLLARD | | SHEET 1 OF 2 | |
| REV. C | DRAWING NUMBER 451-42-03/S-1X | | |



8" SCH 40 BOLLARD AND ROUND BOLLARD BASE MANUFACTURED AS ONE PIECE, ITEM (1), FOR SQUARE AND STABILITY OF DECORATIVE BOLLARD ATTACHMENT. BE SURE TO COVER ROUND PORTION OF BASE BEFORE POURING CONCRETE.

STEP 1:

USE 1 - PC. STL ROUND BOLLARD BASE FOR SECURITY (1)
 PLACE INTO FOOTER AS SHOWN ON FRONT PAGE. SQUARE AND PLUM BOLLARD. ONCE SQUARED, FILL BOLLARD AND FOOTER WITH CONCRETE.

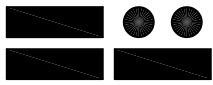
STEP 2:

USE 1 - PC. 42" STL ROUND BOLLARD ASMBLY. (2)
 USE 3 - PCS. 5/16" X 1/2" SS FLT SKT HD CAP SCREW (3)
 ATTACH 42" ROUND STL BOLLARD ASSEMBLY (2) TO STEP 1 USING HARDWARE (3).

NOTES:

- 1.) DURING ASSEMBLY PROCEDURE;
DO NOT COMPLETELY TIGHTEN HARDWARE.
- 2.) UPON COMPLETION OF BOLLARD ASSEMBLY
SQUARE AND TIGHTEN ALL HARDWARE.
- 3.) THE ACTUAL PARTS WILL NOT BE NUMBERED;
NUMBERS ONLY APPLY TO DRAWING.

| ITEM | QTY | PART NO | DESCRIPTION |
|------|-----|---------------|-----------------------------------------|
| 1 | 1 | 0-451-42/S-1X | 42" STL ROUND BOLLARD BASE FOR SECURITY |
| 2 | 1 | 0-451-42-03 | 42" STL ROUND BOLLARD ASMBLY, ROSETTES |
| 3 | 3 | 1-12-015 | 5/16" X 1/2" SS FLT SKT HD CAP SCR |

| | | | | |
|------------------------------------------------------------------------------------------------------------------------------------------------------|--------------|----------|-------------------------------------------------------------|----------------|
|  DuMor, inc. P.O. Box 142 Mifflintown, PA 17059-0142 | SCALE : | NONE | TITLE : <h2 style="text-align: center;">BOLLARD</h2> | |
| | DATE DRAWN : | 11/14/05 | | |
| | DRAWN BY : | JSB | REV. : | DRAWING NUMBER |
| | DATE REV. : | 03/17/09 | C | 451-42-03/S-1X |
| | REV. BY : | ESS | | |