

NOTES

- 1.) STL MEMBERS COATED W/ ZINC RICH EPOXY THEN FINISHED W/ POLYESTER POWDER COATING.
- 2.) 1/2" X 3 3/4" EXPANSION ANCHOR BOLTS PROVIDED FOR S-2 OPTION.

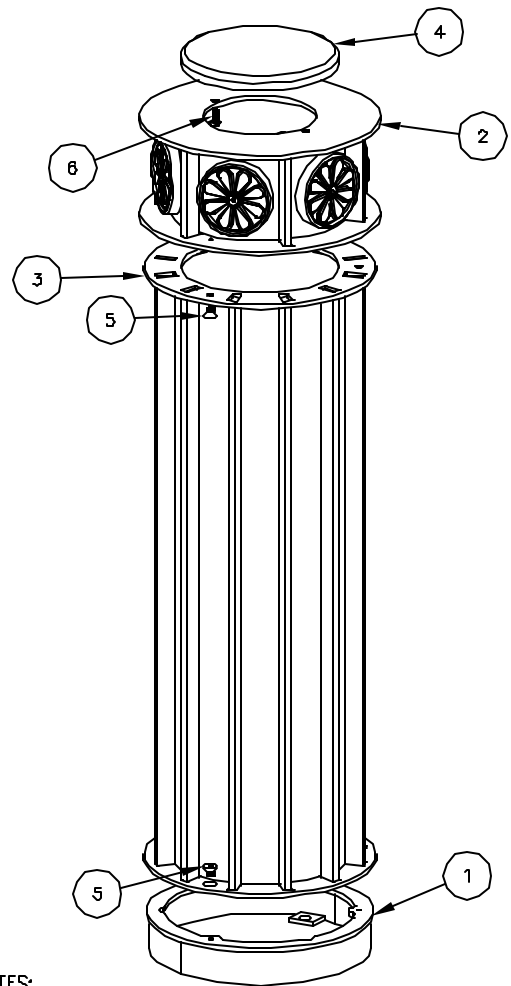
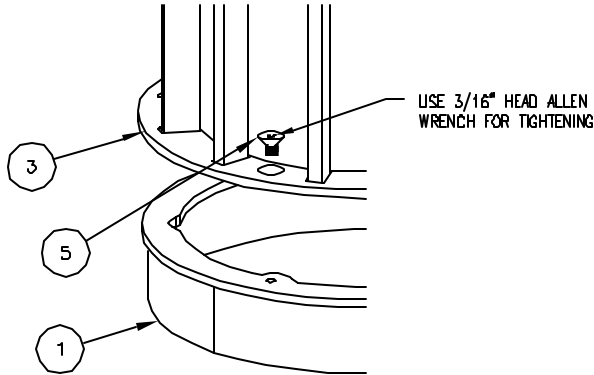
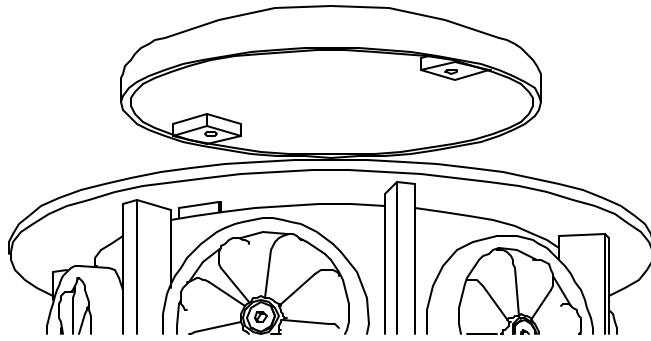


DuMor, inc.

P.O. Box 142 Mifflintown, PA 17059-0142

SCALE :	NONE
DATE DRAWN :	11/11/06
DRAWN BY :	JSB
DATE REV. :	5/5/06
REV. BY :	JSB

TITLE :		BOLLARD	
REV.	DRAWING NUMBER	451-42-03	SHEET
B			1 OF 2



STEP 1:

USE 1 - PC. STL ROUND BOLLARD BASE (1)
ANCHOR ACCORDING TO SUPPORT OPTION USED. LEVEL
AND SQUARE ROUND BOLLARD BASE BEFORE ATTACHING
ROUND BOLLARD MID SECTION ASSEMBLY. WHEN USING OVER
EXISTING BOLLARD, USE S-2 SUPPORT AND CENTER
EXISTING BOLLARD EVENLY IN THE MIDDLE OF HEX BOLLARD BASE.

STEP 2:

USE 1 - PC. STL ROUND BOLLARD TOP ASSEMBLY, ROSETTES (2)
1 - PC. STL ROUND BOLLARD COVER (4)
2 - PCS. 5/16" X 3/4" SS BTN HD CAP SCREW (6)
ATTACH STL ROUND BOLLARD COVER (4) TO ROUND BOLLARD TOP ASSEMBLY,
ROSETTES (2) USING HARDWARE (6). SQUARE AND TIGHTEN ALL HARDWARE.

STEP 3:

USE 1 - PC. 42" STL ROUND BOLLARD MID SECTION ASSEMBLY (3)
3 - PCS. 5/16" X 1/2" SS FLT SKT HD CAP SCREW (5)
ATTACH 42" STL ROUND BOLLARD MID SECTION ASSEMBLY (3) TO
ROUND BOLLARD BASE USING HARDWARE (5).

STEP 4:

USE 3 - PCS. 5/16" X 1/2" SS FLT SKT HD CAP SCREW (5)
ATTACH STEP 2 ASSEMBLY TO STEP 3 ASSEMBLY USING
HARDWARE (5).

NOTES:

- 1.) DURING ASSEMBLY PROCEDURE;
DO NOT COMPLETELY TIGHTEN HARDWARE.
EXCEPTION IS STEP 1 & 2.
- 2.) UPON COMPLETION OF BOLLARD ASSEMBLY,
SQUARE ALL COMPONENTS AND TIGHTEN
ALL HARDWARE.
- 3.) THE ACTUAL PARTS WILL NOT BE NUMBERED:
NUMBERS ONLY APPLY TO DRAWING.
- 4.) SEE SPEC. SHEET 1 FOR MOUNTING OPTION.
- 5.) INSTALLATION TIME MAY VARY DUE TO
ANCHORING APPLICATIONS.
- 6.) FOR 1/2" EXPANSION ANCHORS USE 1/2" DIA.
DRILL BIT TO DRILL INTO CONCRETE.

ITEM	QTY	PART NO	DESCRIPTION
1	1	0-451-00/S-2	STL ROUND BOLLARD BASE, PLATES
2	1	0-451-03-TA	STL ROUND BOLLARD TOP ASSEMBLY, ROSETTES
3	1	0-451-42-MA	42" STL ROUND BOLLARD MID SECTION ASMBLY
4	1	0-451-C	STL ROUND BOLLARD COVER
5	6	1-12-015	5/16" X 1/2" SS FLT SKT HD CAP SCR
6	2	1-12-069	5/16" X 3/4" SS BTN SKT HD CAP SCR

DuMor, inc.
P.O. Box 142 Mifflintown, PA 17059-0142

SCALE : NONE
DATE DRAWN : 11/11/05
DRAWN BY : JSB
DATE REV. : 5/5/06
REV. BY : JSB

TITLE : BOLLARD
REV. B
DRAWING NUMBER 451-42-03
SHEET 2 OF 2