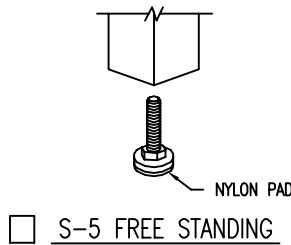
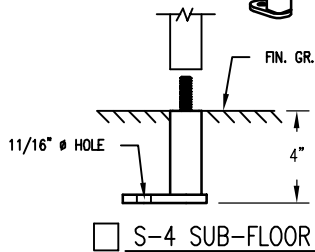
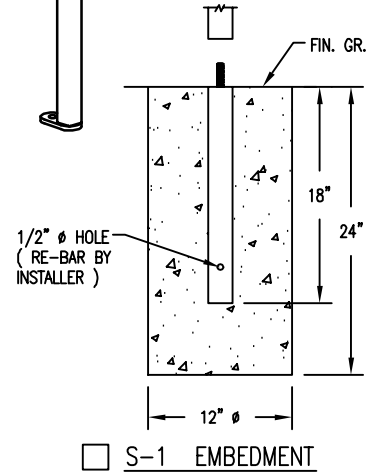
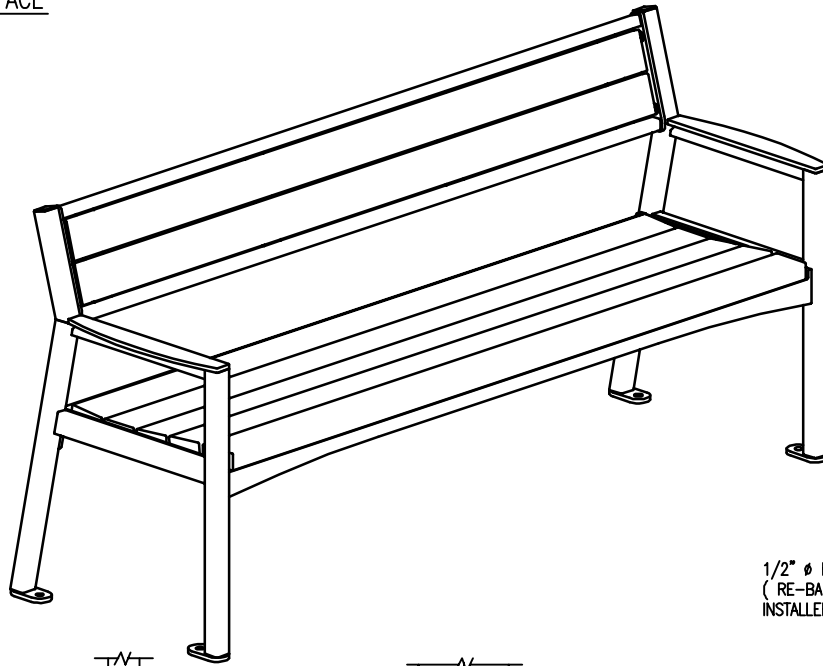


S-2 SURFACE



NOTES:

- 1.) ALL STL. MEMBERS COATED W/ ZINC RICH EPOXY THEN FINISHED W/ POLYESTER POWDER COATING.
- 2.) 1/2" X 3 3/4" EXPANSION ANCHOR BOLTS PROVIDED FOR S-2 & S-4 OPTIONS.

SLAT OPTIONS

- ANTIQUE MAHOGANY TEXTURED
- BRAZILIAN WALNUT TEXTURED
- OTHER _____



BENCH

DATE DRAWN : 11/05/18
 DRAWN BY : ESS
 DATE REV. :
 REV. BY :

REV.
A

DRAWING NUMBER

500-60TX

SHEET
1 OF 2

NOTES:

- 1.) DURING ASSEMBLY PROCEDURE;
DO NOT COMPLETELY TIGHTEN HARDWARE.
- 2.) THE ACTUAL PARTS WILL NOT BE NUMBERED.
NUMBERS ONLY APPLY TO DRAWING.
- 3.) UPON COMPLETION OF ASSEMBLY SQUARE
ALL COMPONENTS THEN TIGHTEN ALL HARDWARE.
- 4.) MOUNT AND ANCHOR AS SPECIFIED.

TOOLS REQ'D

- 3/4" WRENCH
- 5/16" NUT DRIVER OR FLAT HEAD DRILL BIT
- 5/16" ALLEN WRENCH
- 1/2" MASONRY DRILL BIT
- DRILL

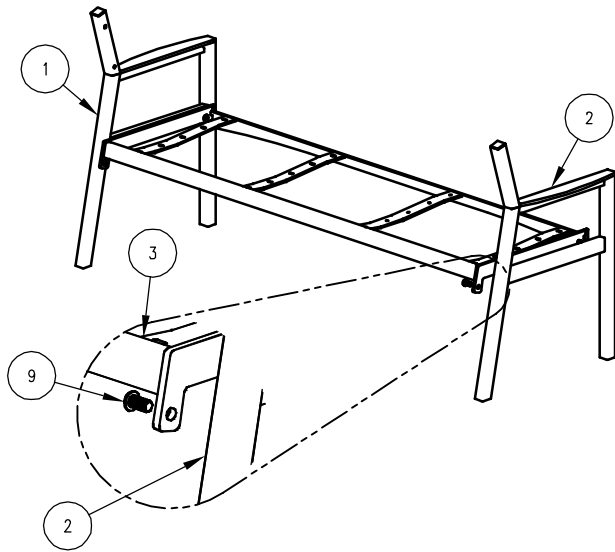
PARTS LIST

| ITEM | QTY | PART NO | DESCRIPTION |
|------|-----|-----------------|---|
| 1 | 1 | 0-500-00-01L | STL END SUPPORT - LEFT |
| 2 | 1 | 0-500-00-01R | STL END SUPPORT - RIGHT |
| 3 | 1 | 0-500-60-02 | 6' STL SEAT |
| 4 | 1 | 0-500-60-03 | 6' STL BACKREST |
| 5 | 2 | 0-500-60TX-04 | 1" X 4" X 67 1/2" SLAT, TX |
| 6 | 5 | 0-500-60TX-05 | 2" X 4" X 67 1/2" SLAT, TX |
| 7 | 4 | 0-502-00-06/S-2 | SURFACE MOUNT FOOT PAD |
| 8 | 4 | 1-12-014 | 1/2" X 1" SS FLT SKT HD CAP SCR |
| 9 | 4 | 1-12-056 | 1/2" X 1" SS BTN SKT HD CAP SCR |
| 10 | 28 | 1-16-023 | #14 X 7/8 SS HX WASH HD 'A' SLTD WD SCREW |

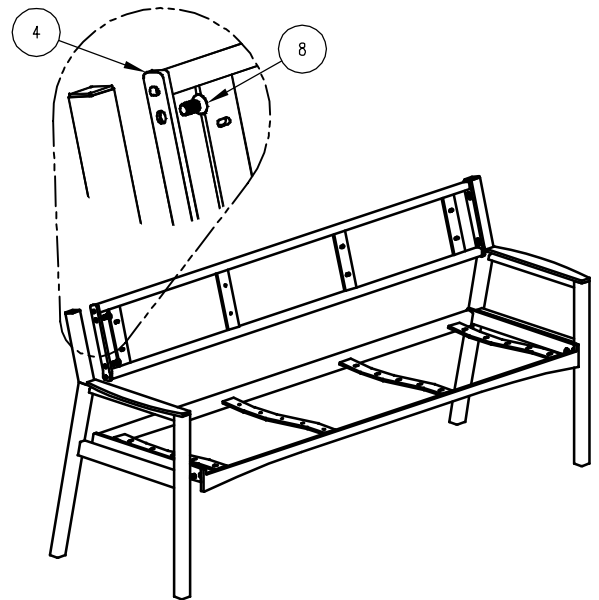
KITS PROVIDED

| ITEM | QTY | PART NO | DESCRIPTION |
|------|-----|-------------|-----------------------------------|
| 11 | 1 | K-ANCO860-4 | 1/2" X 3 3/4" SS ANCHOR KIT (4PC) |
| 12 | 1 | K-BC0816-4 | 1/2" CAP HARDWARE KIT (4PC) |
| 13 | 1 | K-FC0816-4 | 1/2" CAP HARDWARE KIT (4 PCS) |
| 14 | 1 | K-WS1414-30 | #14 HEX HD WASH WOOD SCR (30PC) |

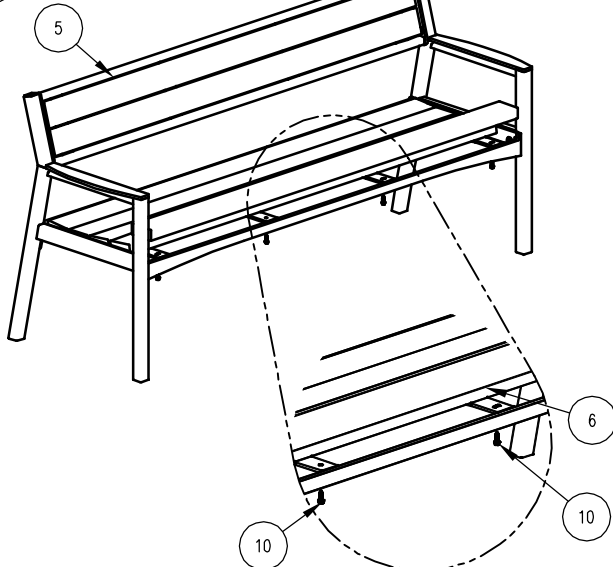
1 ATTACH SEAT TO END SUPPORTS.



2 ATTACH BACK TO STEP 1.



3 ATTACH SLATS TO STEP 2.



4 ATTACH SURFACE MOUNT FOUR PAD TO STEP 3.

