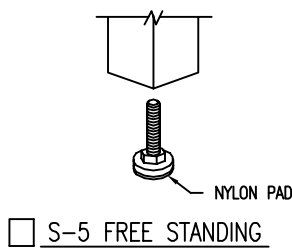
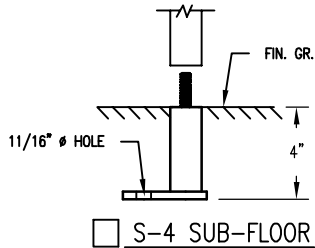
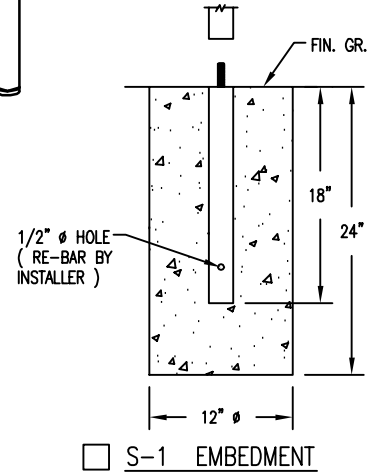
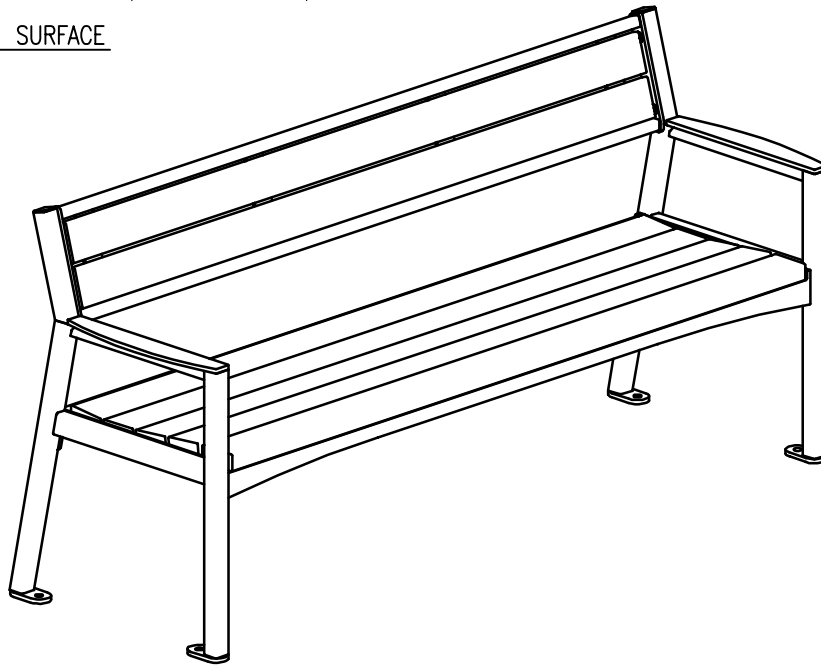


S-2 SURFACE



SLAT OPTIONS

- "CEDAR" RECYCLED PLASTIC
- "GREY" RECYCLED PLASTIC
- "REDWOOD" RECYCLED PLASTIC
- "WALNUT" RECYCLED PLASTIC
- OTHER _____

NOTES:

- 1.) ALL STL. MEMBERS COATED W/ ZINC RICH EPOXY THEN FINISHED W/ POLYESTER POWDER COATING.
- 2.) 1/2" X 3 3/4" EXPANSION ANCHOR BOLTS PROVIDED FOR S-2 & S-4 OPTIONS.

NOTES:

- 1.) DURING ASSEMBLY PROCEDURE;
DO NOT COMPLETELY TIGHTEN HARDWARE.
- 2.) THE ACTUAL PARTS WILL NOT BE NUMBERED.
NUMBERS ONLY APPLY TO DRAWING.
- 3.) UPON COMPLETION OF ASSEMBLY SQUARE
ALL COMPONENTS THEN TIGHTEN ALL HARDWARE.
- 4.) MOUNT AND ANCHOR AS SPECIFIED.

TOOLS REQ'D

- 3/4" WRENCH
- 5/16" NUT DRIVER OR FLAT HEAD DRILL BIT
- 5/16" ALLEN WRENCH
- 1/2" MASONRY DRILL BIT
- DRILL

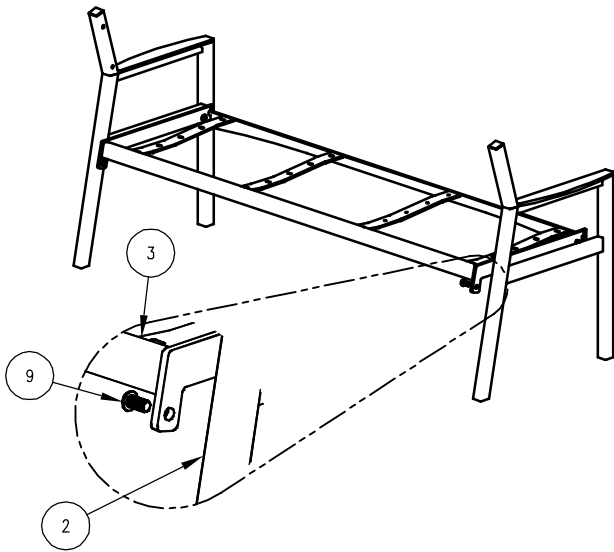
PARTS LIST

ITEM	QTY	PART NO	DESCRIPTION
1	1	0-500-00-01L	STL END SUPPORT - LEFT
2	1	0-500-00-01R	STL END SUPPORT - RIGHT
3	1	0-500-60-02	6' STL SEAT
4	1	0-500-60-03	6' STL BACKREST
5	2	0-500-60PL-04	1" X 4" X 67 1/2" SLAT, PL
6	5	0-500-60PL-05	2" X 4" X 67 1/2" SLAT, PL
7	4	0-502-00-06/S-2	SURFACE MOUNT FOOT PAD
8	4	1-12-014	1/2" X 1" SS FLT SKT HD CAP SCR
9	4	1-12-056	1/2" X 1" SS BTN SKT HD CAP SCR
10	28	1-16-023	#14 X 7/8 SS HX WASH HD 'A' SLTD WD SCREW

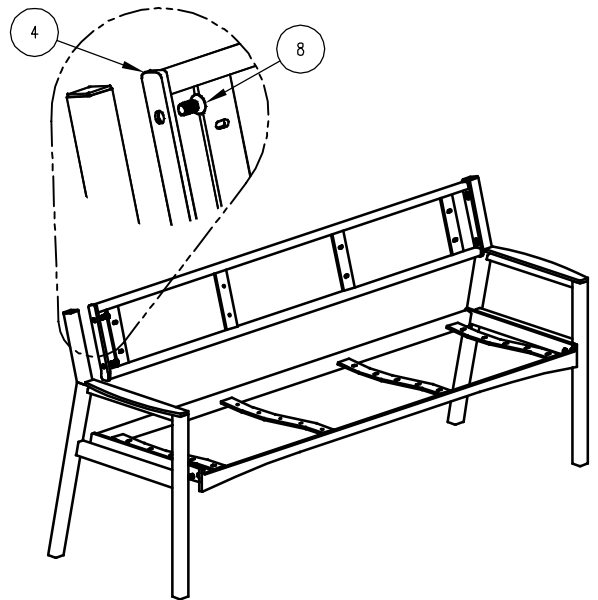
KITS PROVIDED

ITEM	QTY	PART NO	DESCRIPTION
11	1	K-ANCO860-4	1/2" X 3 3/4" SS ANCHOR KIT (4PC)
12	1	K-BC0816-4	1/2" CAP HARDWARE KIT (4PC)
13	1	K-FC0816-4	1/2" CAP HARDWARE KIT (4 PCS)
15	1	K-WS1414-30	#14 HEX HD WASH WOOD SCR (30PC)

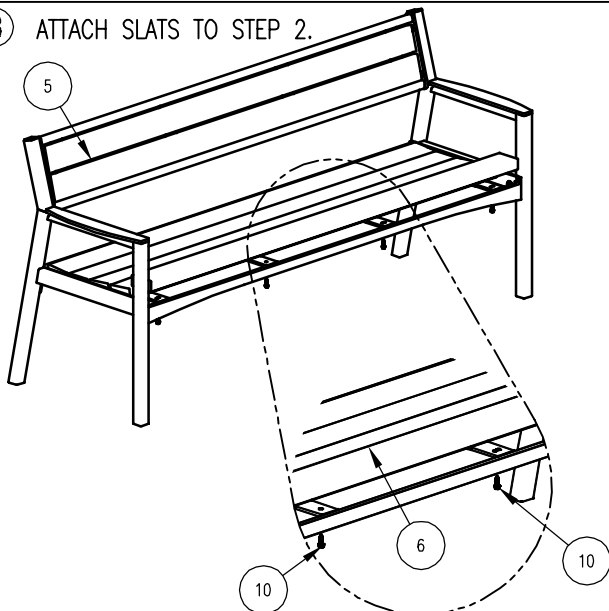
1 ATTACH SEAT TO END SUPPORTS.



2 ATTACH BACK TO STEP 1.



3 ATTACH SLATS TO STEP 2.



4 ATTACH SURFACE MOUNT FOUR PAD TO STEP 3.

