

NOTES:

- 1.) ALL STL. MEMBERS COATED W/ ZINC RICH EPOXY THEN FINISHED W/ POLYESTER POWDER COATING.
- 2.) 1/2" X 3 3/4" EXPANSION ANCHOR BOLTS PROVIDED.

NOTES:

- 1.) DURING ASSEMBLY PROCEDURE;
DO NOT COMPLETELY TIGHTEN HARDWARE.
- 2.) THE ACTUAL PARTS WILL NOT BE NUMBERED.
NUMBERS ONLY APPLY TO DRAWING.
- 3.) UPON COMPLETION OF ASSEMBLY SQUARE
ALL COMPONENTS THEN TIGHTEN ALL HARDWARE.
- 4.) MOUNT AND ANCHOR AS SPECIFIED.

TOOLS REQ'D

- 3/4" WRENCH
- 1/2" WRENCH
- 1/2" MASONRY DRILL BIT
- DRILL

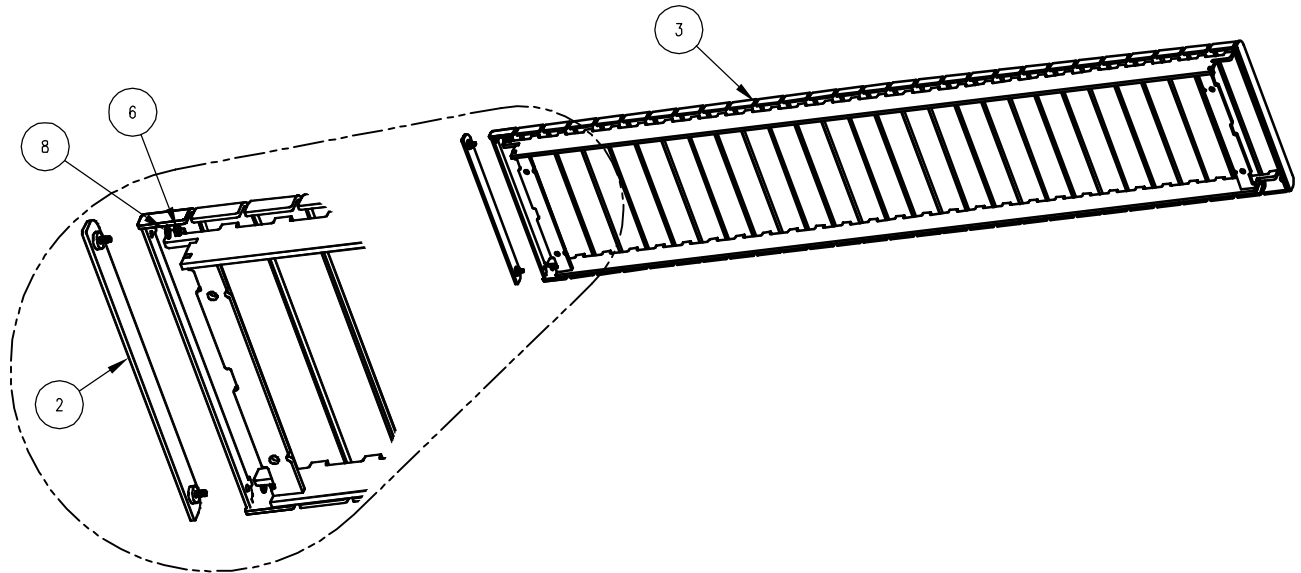
PARTS LIST FOR S-2

ITEM	QTY	PART NO	DESCRIPTION
1	2	0-521-00-01	STL BKLS END SUPPORT
2	2	0-521-00VS-01	BACKLESS SEAT END CAP, VS
3	1	0-521-80VS-02	8' STL BKLS SEAT FRAME, VS
4	4	1-11-068	1/2" X 1" SS CGE BOLT
5	4	1-20-018	1/2" SS THIN NYLON LOCKNUT
6	4	1-20-020	5/16" SS THIN NYLON LOCKNUT
7	4	1-22-015	1/2" SS FLAT WASHER
8	4	1-22-017	5/16" SS FLAT WASHER

KITS PROVIDED FOR S-2

ITEM	QTY	PART NO	DESCRIPTION
9	1	K-ANCO860-4	1/2" X 3 3/4" SS ANCHOR KIT (4PC)
10	1	K-CG0816-4TL	1/2" CGE BOLT HARDWARE KIT (4PC)
11	1	K-TLNU05-4	5/16" THIN LOCK NUT HARDWARE KIT (4PC)

1 ATTACH END PLATES TO SEAT SECTION.



2 ATTACH SEAT TO SUPPORTS.

