

SLAT OPTIONS

- WOOD
- RECYCLED PLASTIC
- WOOD GRAIN RECYCLED PLASTIC

NOTES:

- 1.) ALL STL. MEMBERS COATED W/ ZINC RICH EPOXY THEN FINISHED W/ POLYESTER POWDER COATING.
- 2.) 1/2" X 3 3/4" EXPANSION ANCHOR BOLTS PROVIDED.



BENCH

DATE DRAWN : 12/20/22  
 DRAWN BY : JSB  
 DATE REV. :  
 REV. BY :

REV.  
A

DRAWING  
NUMBER

522-80

SHEET  
1 OF 2

**NOTES:**

- 1.) DURING ASSEMBLY PROCEDURE;  
DO NOT COMPLETELY TIGHTEN HARDWARE.
- 2.) THE ACTUAL PARTS WILL NOT BE NUMBERED.  
NUMBERS ONLY APPLY TO DRAWING.
- 3.) UPON COMPLETION OF ASSEMBLY SQUARE  
ALL COMPONENTS THEN TIGHTEN ALL HARDWARE.
- 4.) MOUNT AND ANCHOR AS SPECIFIED.

**TOOLS REQ'D**

- 3/4" WRENCH
- 5/16" ALLEN WRENCH
- 1/2" MASONRY DRILL BIT
- DRILL

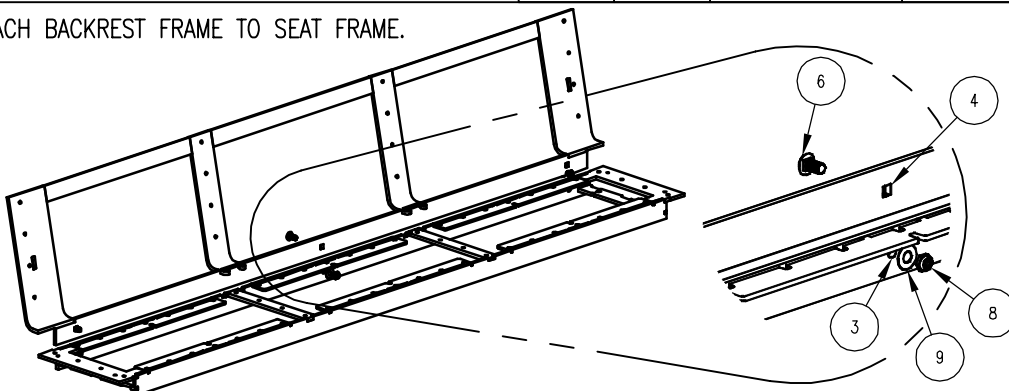
**PARTS LIST FOR S-2**

ITEM	QTY	PART NO	DESCRIPTION
1	1	0-520-00-01L	STL END SUPPORT, LEFT
2	1	0-520-00-01R	STL END SUPPORT, RIGHT
3	1	0-520-80-02	8' STL SEAT FRAME
4	1	0-522-80-01	8' STL HORIZ BACKREST SEAT FRAME
5	8	0-522-80-02	2" X 4" X 95" SLAT, WOOD
6	7	1-11-068	1/2" X 1" SS CGE BOLT
7	32	1-13-023	5/16" X 1 1/4" SS BTN SKT HD LAG
8	7	1-20-018	1/2" SS THIN NYLON LOCKNUT
9	7	1-22-015	1/2" SS FLAT WASHER
10	32	1-22-017	5/16" SS FLAT WASHER

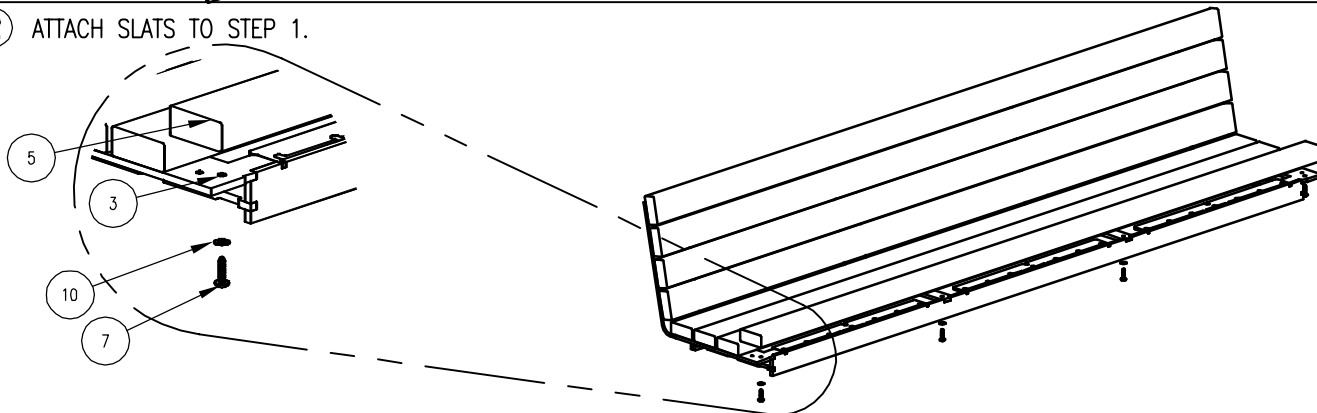
**KITS PROVIDED FOR S-2**

ITEM	QTY	PART NO	DESCRIPTION
11	1	K-ANCO860-4	1/2" X 3 3/4" SS ANCHOR KIT (4PC)
12	1	K-BL0524-40	5/16" LAG HARDWARE KIT (40PC)
13	2	K-CG0816-4TL	1/2" CGE BOLT HARDWARE KIT (4PC)

**1** ATTACH BACKREST FRAME TO SEAT FRAME.



**2** ATTACH SLATS TO STEP 1.



**3** ATTACH SUPPORTS TO STEP 2.

