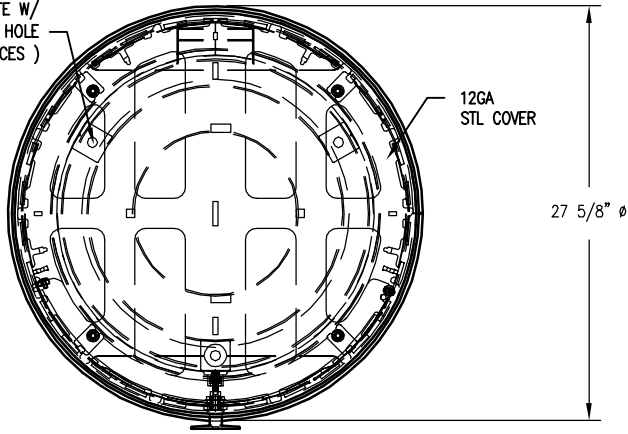


1/4" THK. STL. PLATE W/  
11/16" Ø ANCHOR HOLE  
( 3 PLACES )

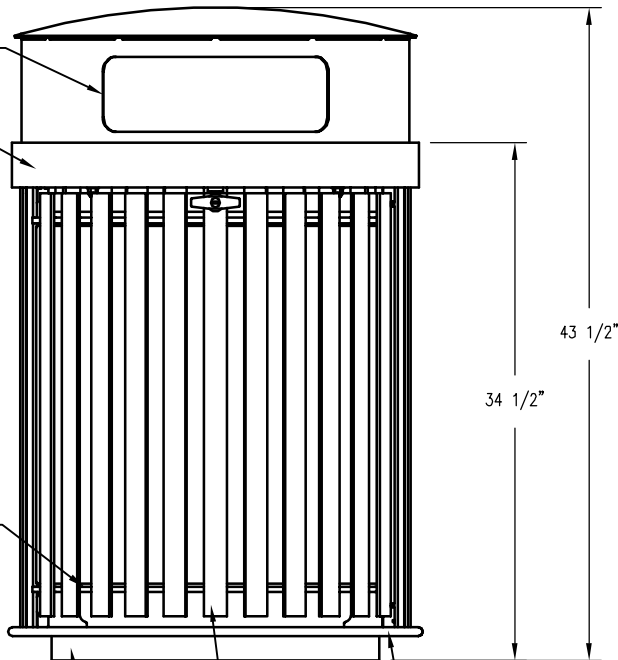


12GA  
STL COVER

27 5/8" Ø

5" X 16"  
OPENING

3/8" X 3"  
STL BAR



43 1/2"

34 1/2"

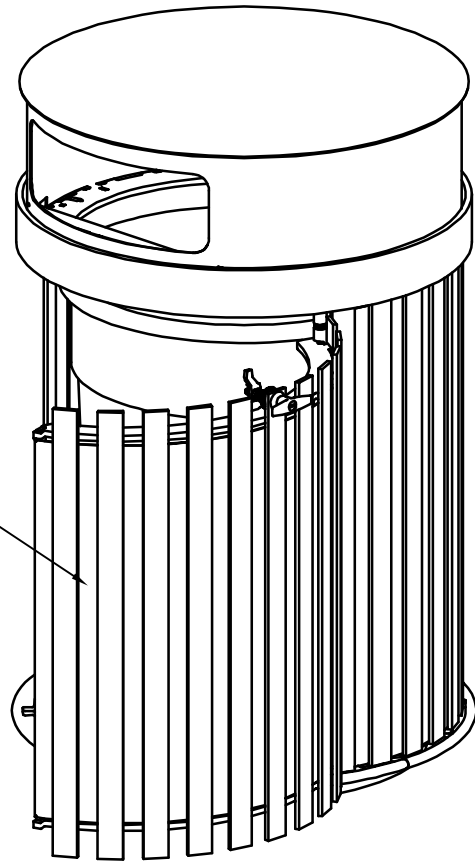
3/8" THK  
STL PLATE

3/8" X 2"  
STL BAR

1/4" X 1 1/2"  
STL BAR

5/8" DIA  
STL BAR

18 GA GALV  
STL SHIELD



NOTES

- 1.) ALL STL. MEMBERS COATED W/ ZINC RICH EPOXY THEN FINISHED W/ POLYESTER POWDER COATING.
- 2.) 1/2" X 3 3/4" EXPANSION ANCHOR BOLTS PROVIDED ( QTY 3 ).
- 3.) RECYCLING UNIT HINGE FOR REMOVAL OF 32 GAL LINER.



RECPTACLE

DATE DRAWN : 11/11/16  
DRAWN BY : JSB  
DATE REV. :  
REV. BY :

REV.  
A

DRAWING  
NUMBER

287-32SH-S0

SHEET  
1 OF 2

PARTS LIST

ITEM	QTY	PART NO	DESCRIPTION
1	1	0-287-30SH-S0	30 GAL RECEPTACLE ASSEMBLY W/ SIDE OPENING
2	1	49-32	32 GAL PL LINER W/ HANDLE, BLK

KITS PROVIDED

ITEM	QTY	PART NO	DESCRIPTION
3	1	K-ANC0860-3	1/2" X 3 3/4" SS ANCHOR KIT (3PCS)

NOTES:

- 1.) THE ACTUAL PARTS WILL NOT BE NUMBERED. NUMBERS ONLY APPLY TO DRAWING.
- 2.) MOUNT AND ANCHOR AS SPECIFIED.

TOOLS REQ'D

- 3/4" WRENCH  
1/2" MASONRY DRILL BIT  
DRILL

