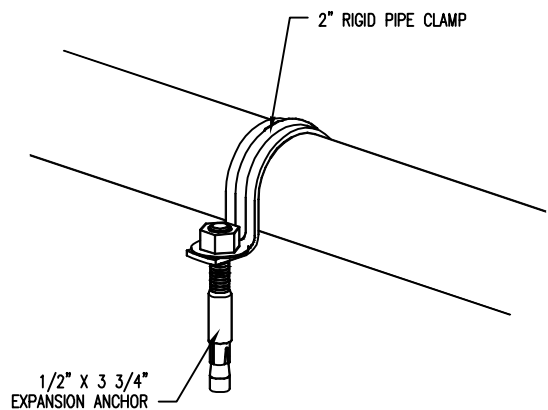


SLAT OPTIONS

- "CEDAR" RECYCLED PLASTIC
- "GREY" RECYCLED PLASTIC
- "REDWOOD" RECYCLED PLASTIC
- "WALNUT" RECYCLED PLASTIC
- OTHER _____

NOTES:

- 1.) 1/2" X 3 3/4" EXPANSION ANCHORS AND 2" PIPE CLAMPS PROVIDED (4 - PCS)



ANCHORING DETAIL

PARTS LIST

ITEM	QTY	PART NO	DESCRIPTION
1	2	0-71-68-1PL-1	2" X 10" X 65" SLAT, PLASTIC
2	3	0-71-68-1PL-2	2" X 10" X 95" SLAT, PLASTIC
3	4	0-72-00-02	END SUPPORT FRAME
4	2	0-72-00-03	DIAGONAL BRACE
5	2	0-72-00-04	TOP ANGLE
6	4	0-72-00-05	SEAT PLATE
7	2	0-77-60-14HG	6" SEAT BRACE, HG
8	1	0-77-68-1-15HG	TABLE TOP BRACE, HANDICAPPED HG
9	2	0-77-68-97	1 3/8" ID CLAMP ON COLLAR HALF (THREADED)
10	2	0-77-68-98	HANDICAP TABLE FRAME BRACE FOR PLASTIC
11	36	1-11-062	5/16" X 2 1/4" SS CGE BOLT
13	12	1-12-002	3/8" X 3" SS HEX HD CAP SCR
14	2	1-12-039	3/8" X 5 1/2" SS HEX HD CAP SCR
15	4	1-12-147	1/4" X 5/8" BLACK-OXIDE ALLOY STL SKT HD CAP SC
16	2	1-13-001	5/16" X 1 1/4" SS HEX HD LAG SCR
17	4	1-17-003	1/2" X 3 3/4" SS EXPANSION ANCHOR
18	14	1-20-007	3/8" SS NYLON LOCKNUT
19	36	1-21-015	5/16" SS HEX NUT
20	4	1-21-016	1/2" SS HEX NUT
21	4	1-22-015	1/2" SS FLAT WASHER
22	38	1-22-017	5/16" SS FLAT WASHER
23	44	1-22-018	3/8" ID X 5/8" OD RUBBER WASHER
24	28	1-22-024	3/8" SS FLAT WASHER
25	2	5-48-076	3/8" X 1 1/2" SWIVEL GLIDE
26	4	5-48-492	2" RIGID PIPE CLAMP, 9/16" DIA HOLE, PLTD
27	8	5-48-859	2" BLACK PLASTIC PLUG

NOTES:

- 1.) DURING ASSEMBLY PROCEDURE;
DO NOT COMPLETELY TIGHTEN HARDWARE.
- 2.) THE ACTUAL PARTS WILL NOT BE NUMBERED.
NUMBERS ONLY APPLY TO DRAWING.
- 3.) UPON COMPLETION OF ASSEMBLY SQUARE
ALL COMPONENTS THEN TIGHTEN ALL HARDWARE.
- 4.) MOUNT AND ANCHOR AS SPECIFIED.

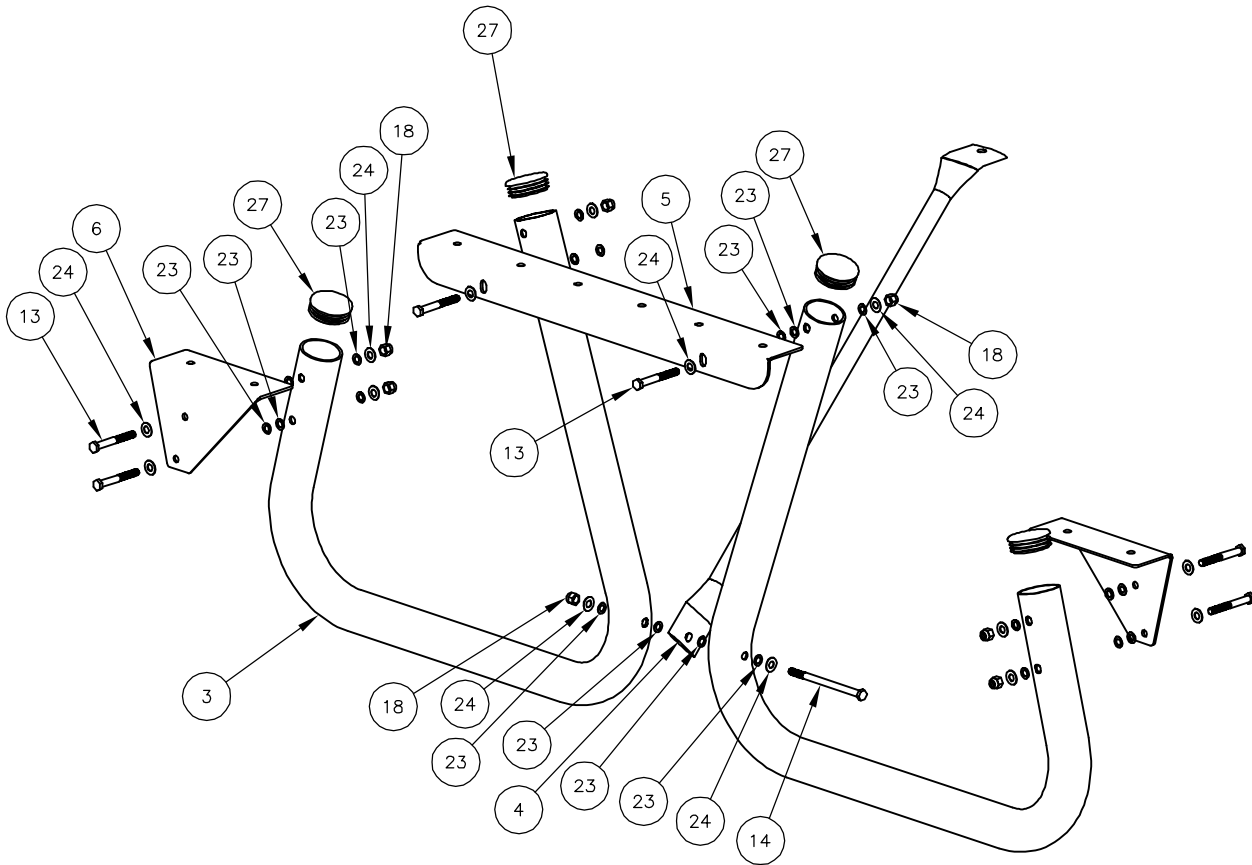
TOOLS REQ'D

- 1/2" WRENCH
- 3/4" WRENCH
- 9/16" WRENCH
- 1/2" MASONRY DRILL BIT
- DRILL

KITS PROVIDED

ITEM	QTY	PART NO	DESCRIPTION
28	1	K-72PL	72 SERIES HARWARE KIT
30	1	K-ANCO860-4	1/2" X 3 3/4" SS ANCHOR KIT (4PC)
29	1	K-ANC-CLIP-16-4	2" SCH 40 CLAMP, 4 PCS
31	1	K-GLO624-2	3/8" X 1 1/2" GLIDE KIT (2PCS)

1 ASSEMBLE END SUPPORT FRAMES.



ASSEMBLY INSTRUCTIONS

DATE DRAWN : 03/22/94
 DRAWN BY : AH
 DATE REV. : 3/5/18
 REV. BY : JSB

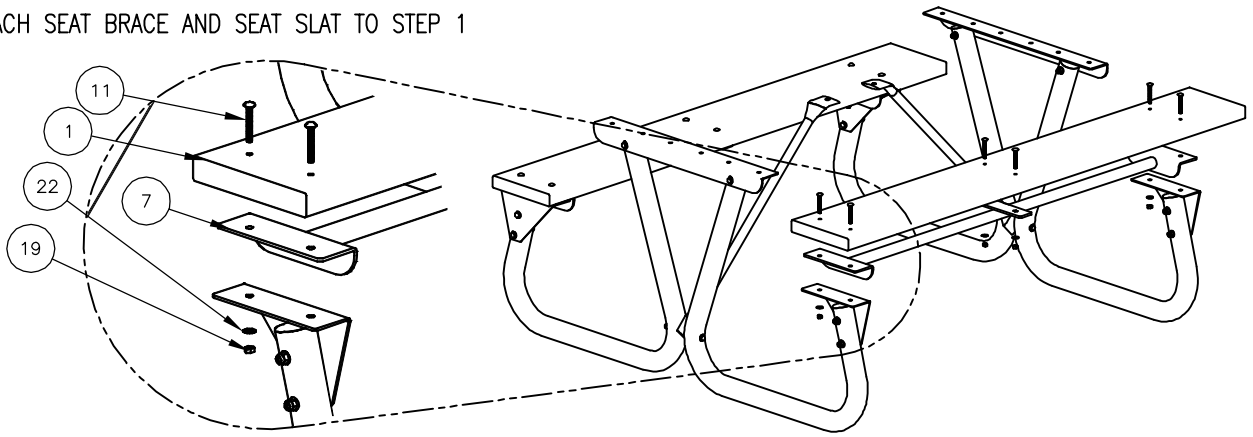
REV. K

DRAWING NUMBER

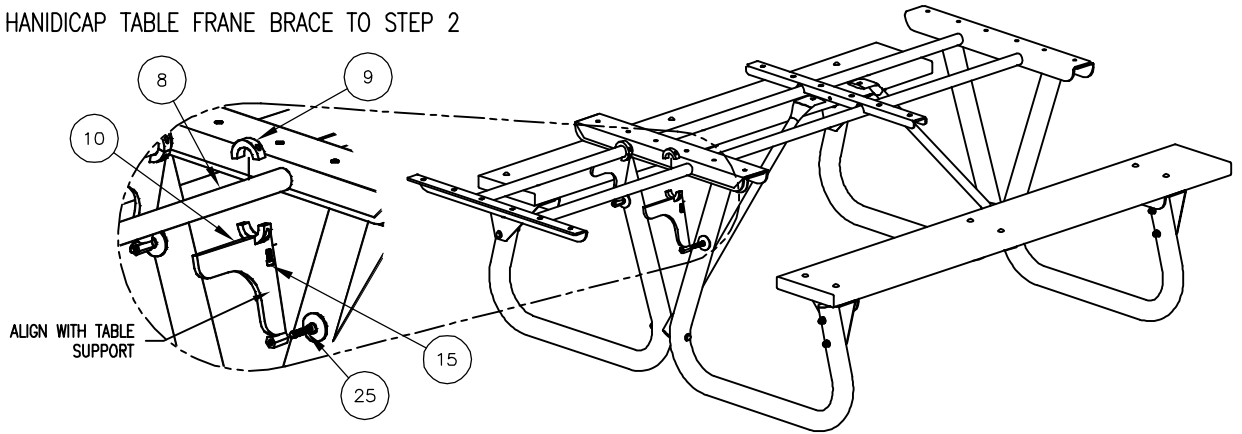
72-68-1PL

SHEET 2 OF 3

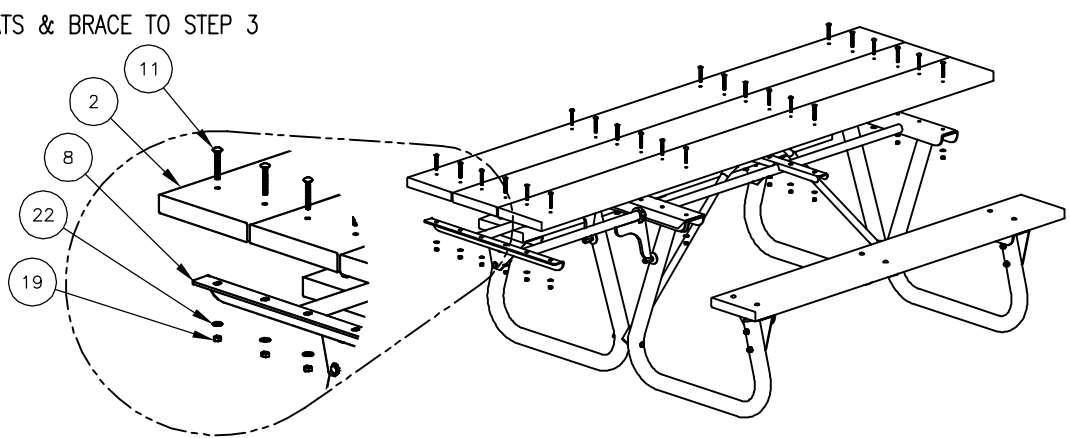
② ATTACH SEAT BRACE AND SEAT SLAT TO STEP 1



③ ATTACH HANICAP TABLE FRAME BRACE TO STEP 2



④ ATTACH TABLE SLATS & BRACE TO STEP 3



⑤ ATTACH DIAGONAL BRACE TO STEP 4

