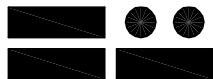


NOTES:

- 1.) ALL STL. MEMBERS COATED W/ ZINC RICH EPOXY THEN FINISHED W/ POLYESTER POWDER COATING.



DuMor, inc.

P.O. Box 142 Mifflintown, PA 17059-0142

SCALE : NONE

DATE DRAWN : 09/06/12

DRAWN BY : RDH

DATE REV. :

REV. BY :

TITLE :

METER BIKE RACK

REV.

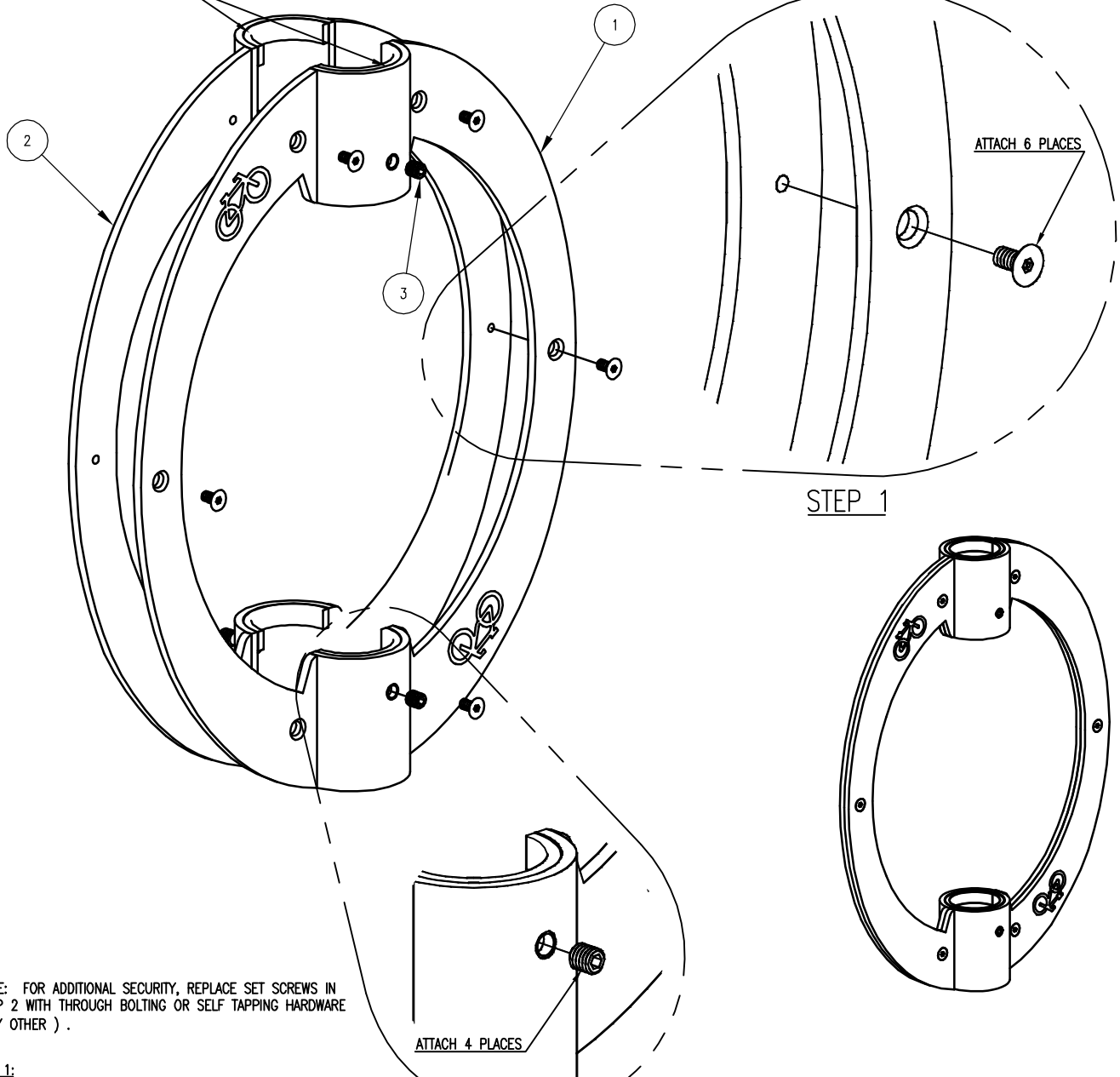
DRAWING
NUMBER

A

444-00

SHEET
1 OF 2

NEOPRENE FOAM



ATTACH 6 PLACES

STEP 1

ATTACH 4 PLACES

STEP 2

NOTE: FOR ADDITIONAL SECURITY, REPLACE SET SCREWS IN STEP 2 WITH THROUGH BOLTING OR SELF TAPPING HARDWARE (BY OTHER) .

STEP 1:

USE 1 - PC. STL METER BIKE RACK ASSEMBLY, FRONT (1)
 1 - PC. STL METER BIKE RACK ASSEMBLY, BACK (2)
 6 - PCS. 1/4"-20 X 1/2" SS FLT SKT HD CAP SCR, TAMPER PROOF (4)
 WITH NEOPRENE FOAM ON INSIDE OF PIPE FACING UP, PLACE FLAT SIDES OF STL METER BIKE RACK ASSEMBLY, FRONT (1) AND STL METER BIKE RACK ASSEMBLY, BACK (2) AGAINST EACH OTHER. USING 1/4"-20 X 1/2" SS FLT SKT HD CAP SCR, TAMPER PROOF (4), TIGHTEN TO SNUG FIT.

STEP 2:

USE 4 - PCS. 3/8" X 3/8" SS SKT SET SCREW (3)
 ATTACH 3/8" X 3/8" SS SKT SET SCREWS (3) TO STEP 1 ASSEMBLY TO SECURE BIKE RACK TO SPECIFIED LOCATION. BE SURE TO TIGHTEN EACH SET SCREW EVENLY ON BOTH SIDES.

STEP 3:

UPON COMPLETION OF BIKE RACK ASSEMBLY TIGHTEN ALL HARDWARE.

ITEM	QTY	PART NO	DESCRIPTION
1	1	0-444-04	STL METER BIKE RACK ASSEMBLY, FRONT
2	1	0-444-05	STL METER BIKE RACK ASSEMBLY, BACK
3	4	1-12-054	3/8" X 3/8" SS SKT SET SCR
4	6	1-12-136-PIN	1/4"-20 X 1/2" SS FLT SKT HD CAP SCR, TAMPER PROOF

DuMor, inc.
 P.O. Box 142 Mifflintown, PA 17059-0142

SCALE : NONE
 DATE DRAWN : 09/06/12
 DRAWN BY : RDH
 DATE REV. :
 REV. BY :

TITLE : BIKE RACK ASSEMBLY
 REV. A
 DRAWING NUMBER 444-00
 SHEET 2 OF 2