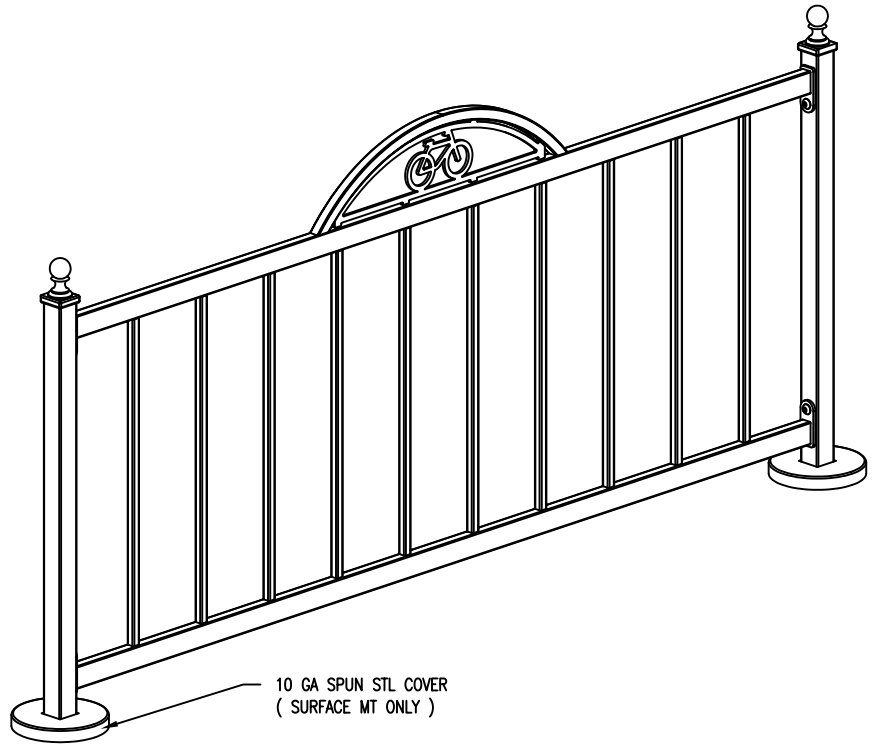
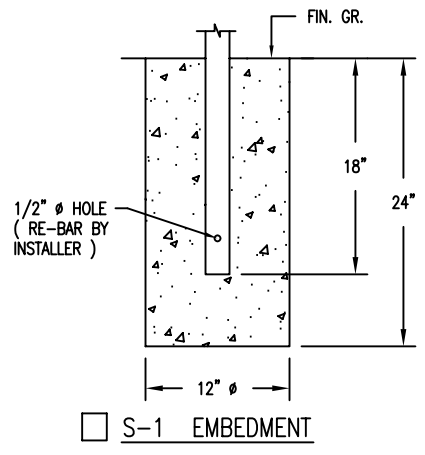
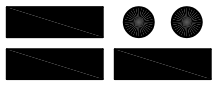
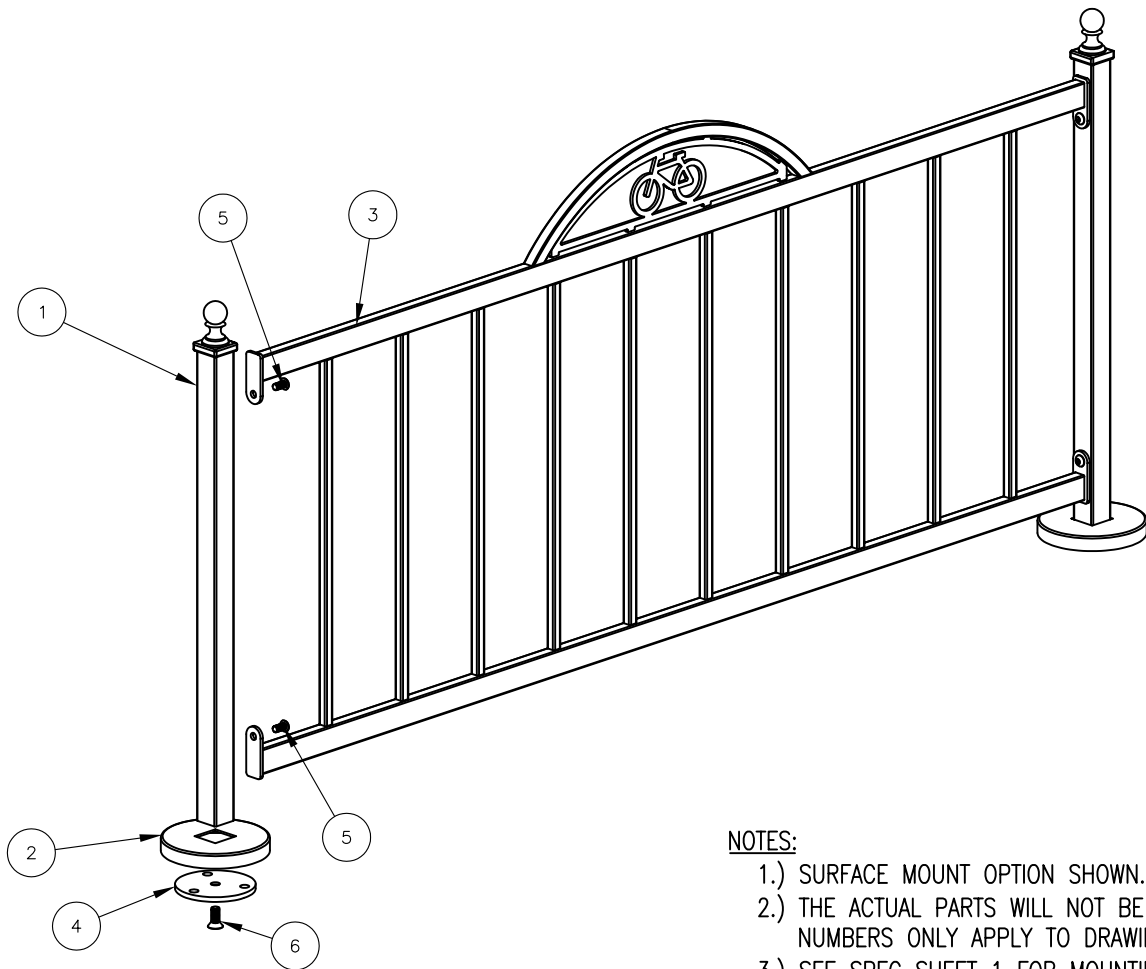


* □ S-2 SURFACE MOUNT *
 (SEE NOTES)



- NOTES:
- 1.) ALL STL. MEMBERS COATED W/ ZINC RICH EPOXY THEN FINISHED W/ POLYESTER POWDER COATING.
 - 2.) 1/2" X 3 3/4" EXPANSION ANCHOR BOLTS PROVIDED FOR OPTION S-2.
- * UPCHARGE APPLIES TO SUPPORT OPTION - CONSULT YOUR LOCAL REPRESENTATIVE.

 DuMor, inc. P.O. Box 142 Mifflintown, PA 17059-0142	SCALE :	NONE	TITLE :	BIKE RACK	
	DATE DRAWN :	1/14/11	REV.	DRAWING NUMBER	188-11
	DRAWN BY :	JSB	A	SHEET	
	DATE REV. :			1 OF 2	
	REV. BY :				



INSTALLATION FOR SURFACE MOUNT

STEP 1:

USE 2 – PCS. 2" SQ. SUPPORT POST FOR SURFACE MOUNT (1)
 2 – PCS. 10 GAUGE X 8" DIA. ANCHOR PLATE COVER (2)
 2 – PCS. 3/8" THICK SURFACE MOUNT PLATE (4)
 2 – PCS. 5/8" X 1 1/2" SS FLT SKT HD CAP SCREW (6)
 SLIDE 10 GAUGE ANCHOR PLATE COVER (2) ONTO 2" SQ. SUPPORT
 POST FOR SURFACE MOUNT (1). ATTACH 3/8" THICK SURFACE
 MOUNT PLATE (4) TO 2" SQ. SUPPORT POST FOR SURFACE MOUNT (1)
 USING HARDWARE (6). TIGHTEN HARDWARE.

STEP 2:

USE 1 – PC. STL BIKE RACK FRAME, 9 OPENINGS (3)
 4 – PCS. 1/2" X 1" SS BTN SKT HD CAP SCREW (5)
 ATTACH STL BIKE RACK FRAME, 9 OPENINGS (3) TO STEP 1
 ASSEMBLY USING HARDWARE (5). SQUARE AND TIGHTEN
 HARDWARE.

STEP 3:

ANCHOR AS SPECIFIED ON SHEET 1.

NOTES:

- 1.) SURFACE MOUNT OPTION SHOWN.
- 2.) THE ACTUAL PARTS WILL NOT BE NUMBERED;
NUMBERS ONLY APPLY TO DRAWING.
- 3.) SEE SPEC SHEET 1 FOR MOUNTING AND
OPENING DETAILS.

ITEM	QTY	PART NO	DESCRIPTION
1	2	0-188-00-02/S-2	2" SQ SUPPORT POST FOR SURFACE MOUNT
2	2	0-188-00-04	10 GA X 8" DIA STL ANCHOR PLATE COVER
3	1	0-188-11-01	STL BIKE RACK, 11 OPENINGS
4	2	0-83-00-03	3/8" THK SURFACE MOUNT PLATE
5	4	1-12-056	1/2" X 1" SS BTN SKT HD CAP SCR
6	2	1-12-102	5/8" X 1 1/2" SS FLT SKT HD CAP SCR

DuMor, inc.
 P.O. Box 142 Mifflintown, PA 17059-0142

SCALE : NONE
 DATE DRAWN : 1/14/11
 DRAWN BY : JSB
 DATE REV. :
 REV. BY :

TITLE : BIKE RACK ASSEMBLY

REV. A	DRAWING NUMBER 188-11	SHEET 2 OF 2
--------	-----------------------	--------------