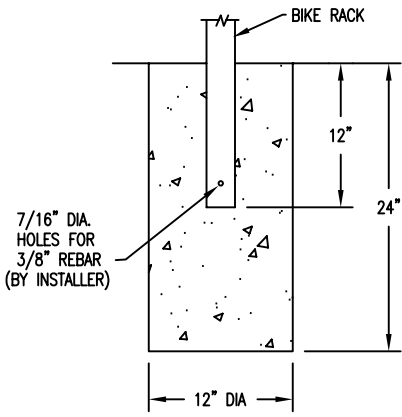
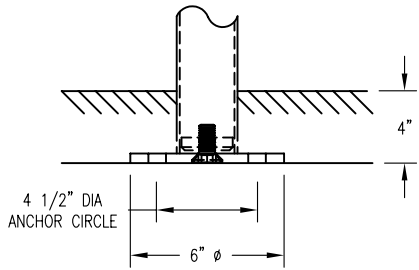


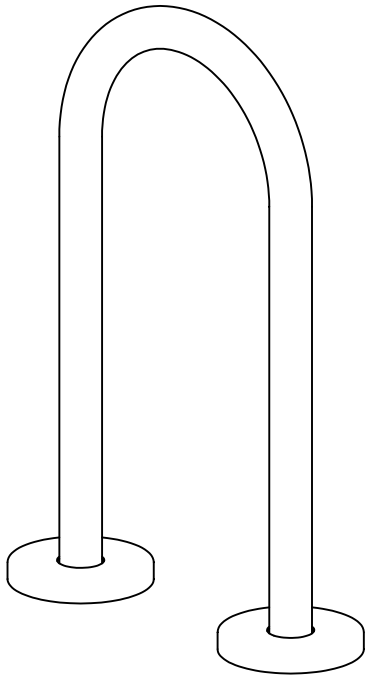
S-2 SURFACE MOUNT



S-1 EMBEDMENT



S-4 SUB FLOOR



FINISH OPTIONS

- GALV. FINISH
- COATED W/ ZINC RICH EPOXY THEN FINISHED W/ POLYESTER POWDER COATING.

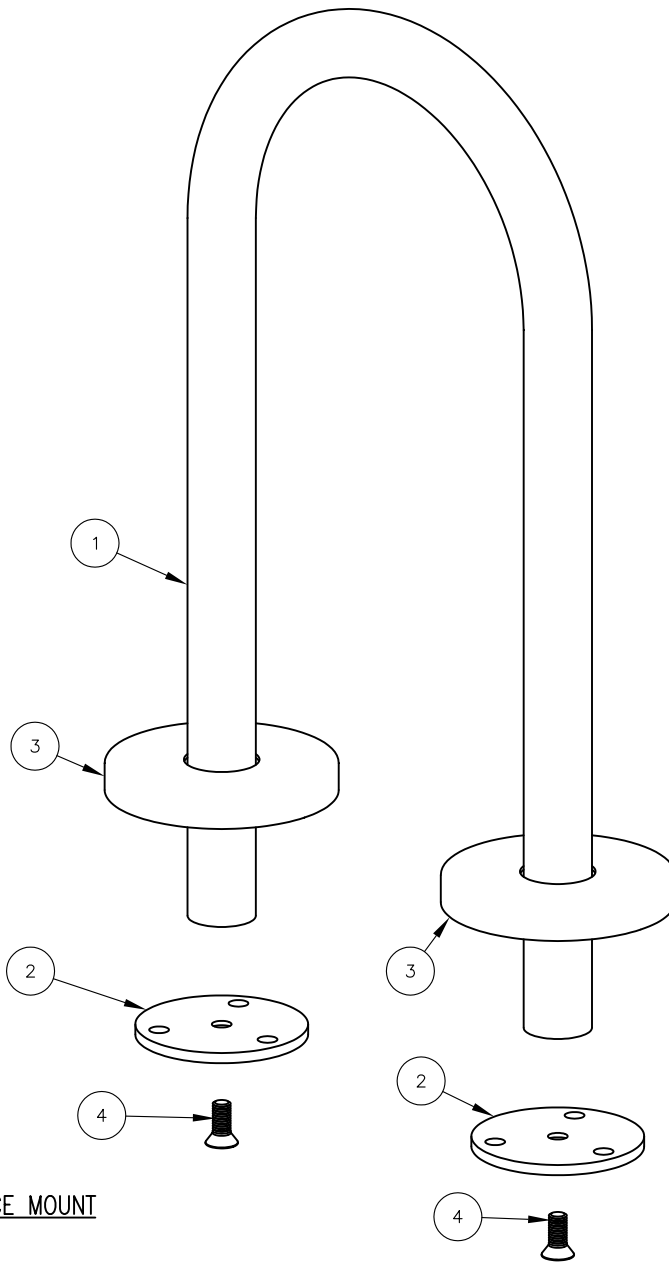
NOTE:

1.) 1/2" X 3 3/4" EXPANSION ANCHOR BOLTS PROVIDED FOR OPTIONS S-2 & S-4.

DuMor, inc.
P.O. Box 142 Mifflintown, PA 17059-0142

SCALE :	NONE
DATE DRAWN :	3/22/94
DRAWN BY :	CDC
DATE REV. :	11/11/09
REV. BY :	AWH

TITLE :	LOOP BIKE RACK	
REV.	DRAWING NUMBER	SHEET
F	83 SERIES	1 OF 2



INSTALLATION FOR SURFACE MOUNT

STEP 1:

- USE 1 - PC. BIKE LOOP, SURFACE MOUNT (1)
 - 2 - PCS. 3/8" THK SURFACE MOUNT PLATE (2)
 - 2 - PCS. 10 GA X 8" DIA ANCHOR PLATE COVER (3)
 - 2 - PCS. 5/8" X 1 1/2" SS FLT SKT HD CAP SCREW (4)
- SLIDE 10 GA X 8" DIA ANCHOR COVER (3) OVER BIKE LOOP, SURFACE MOUNT (1) LEGS. ATTACH 3/8" THK. SURFACE MOUNT PLATE (2) TO BIKE LOOP, SURFACE MOUNT (1) USING HARDWARE (4).

STEP 2:

ANCHOR ACCORDINGLY.

INSTALLATION FOR SUB FLOOR

SAME AS SURFACE MOUNT BUT DO NOT USE 10 GA X 8" DIA ANCHOR PLATE COVER.

ITEM	QTY	PART NO	DESCRIPTION
1	1	0-83-00-01/S-2	BIKE LOOP, SURF MOUNT
2	2	0-83-00-03	3/8" THK SURFACE MOUNT PLATE
3	2	0-83-00-04	10 GA X 8" DIA STL ANCHOR PLATE COVER
4	2	1-12-102	5/8" X 1 1/2" SS FLT SKT HD CAP SCR

DuMor, inc.
P.O. Box 142 Mifflintown, PA 17059-0142

SCALE : NONE
DATE DRAWN : 3/22/94
DRAWN BY : CDC
DATE REV. : 11/11/09
REV. BY : AWH

TITLE : LOOP BIKE RACK ASSEMBLY

REV. F	DRAWING NUMBER 83 SERIES	SHEET 2 OF 2
--------	--------------------------	--------------