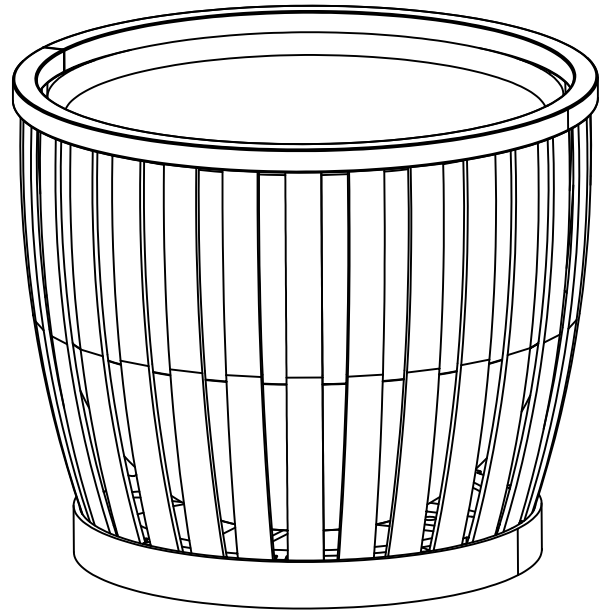
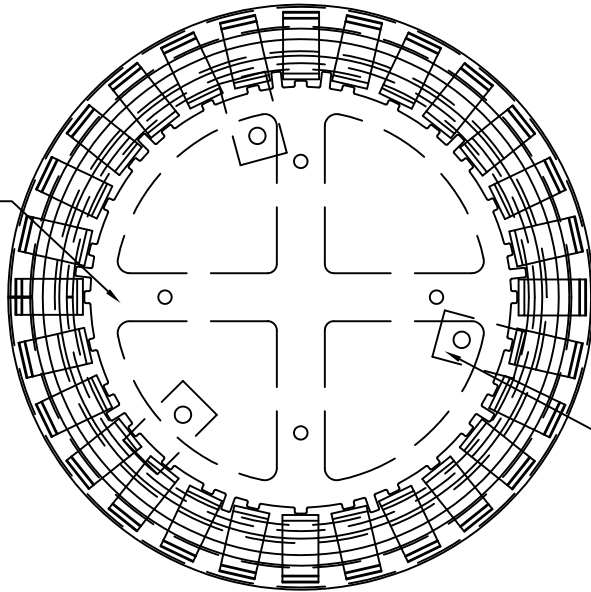
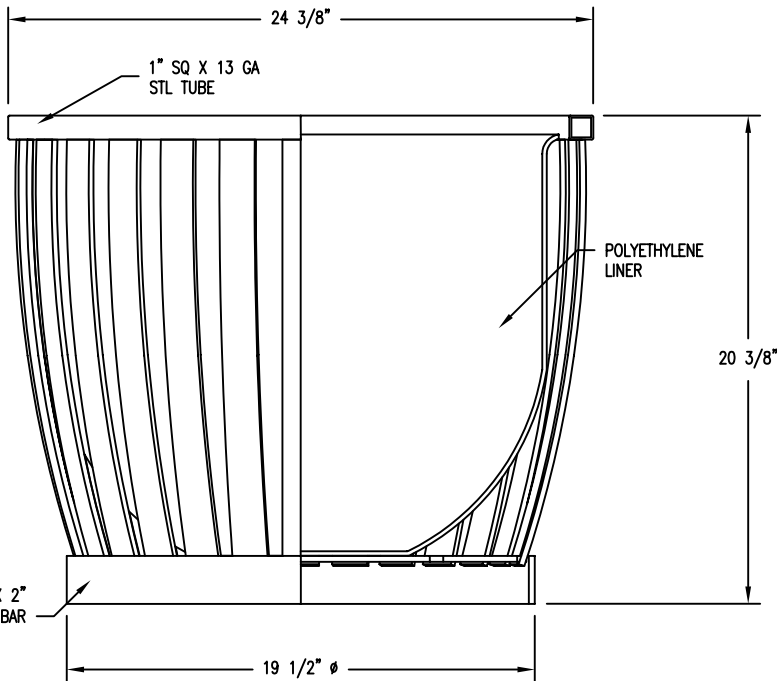


1/4" THK.
STL. PLATE



1/4" X 2" STL.
ANCHOR PLATE W/
11/16" Ø HOLE
(3-PLACES)



NOTES

- 1.) ALL STL. MEMBERS COATED W/ ZINC RICH EPOXY THEN FINISHED W/ POLYESTER POWDER COATING.
- 2.) 1/2" X 3 3/4" EXPANSION ANCHOR BOLTS PROVIDED.



DuMor, inc.

P.O. Box 142 Mifflintown, PA 17059-0142

SCALE : NONE
 DATE DRAWN : 05/25/11
 DRAWN BY : ESS
 DATE REV. :
 REV. BY :

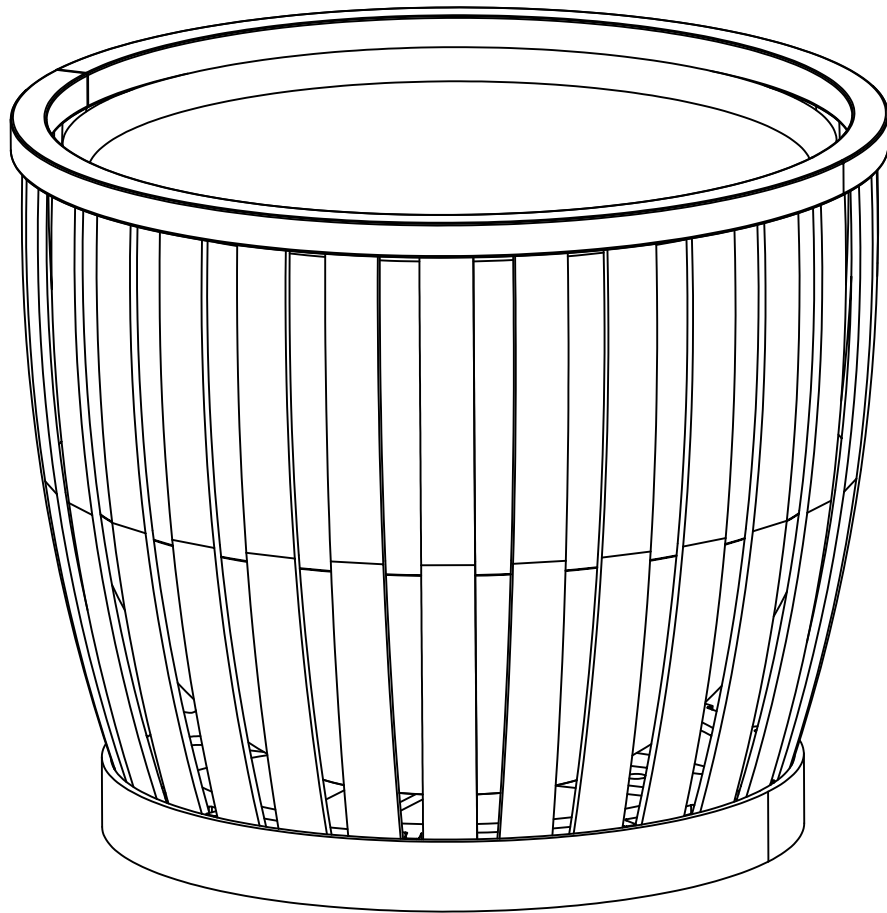
TITLE : PLANTER

REV. A

DRAWING NUMBER

431-00

SHEET 1 OF 2



NOTE:

- 1.) PLANTER SHIPPED FULLY ASSEMBLED.
- 2.) MOUNT AND ANCHOR AS SPECIFIED.



DuMor, inc.

P.O. Box 142 Mifflintown, PA 17059-0142

SCALE :

NONE

DATE DRAWN : 08/09/11

DRAWN BY : ESS

DATE REV. :

REV. BY :

TITLE :

PLANTER

REV.

A

DRAWING
NUMBER

431-00

SHEET
2 OF 2