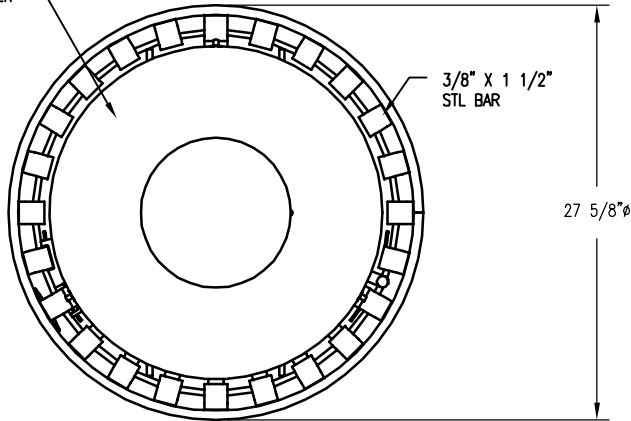
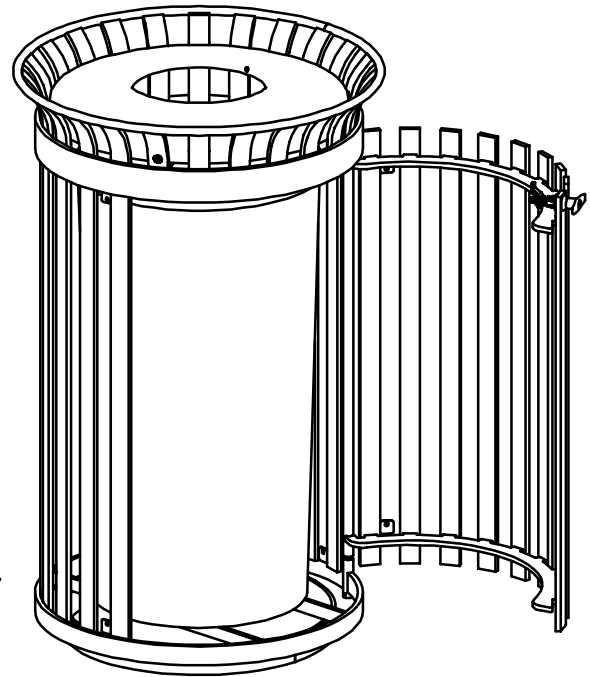


14 GA SPUN  
STL COVER

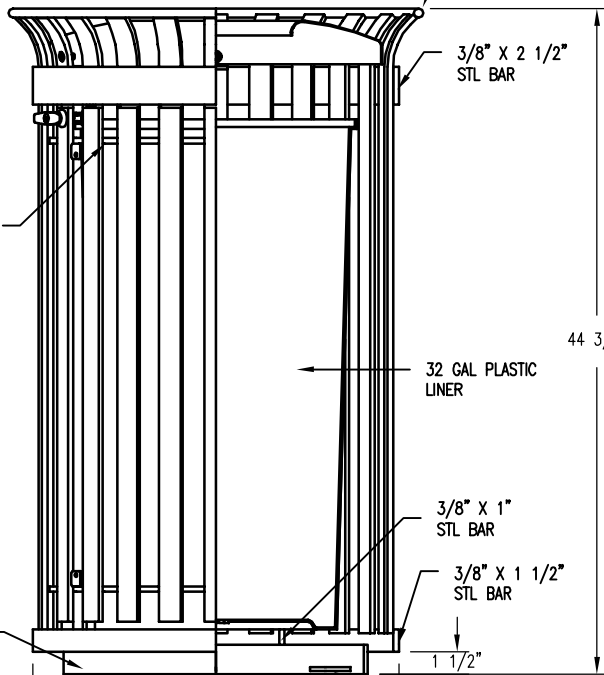


27 5/8"  $\phi$

3/8" X 1 1/2"  
STL BAR



3/8" THK  
STL PLATE



44 3/8"

5/8" DIA  
STL RND

3/8" X 2 1/2"  
STL BAR

3/8" X 1"  
STL BAR

3/8" X 1 1/2"  
STL BAR

1/4" X 2"  
STL BAR

1 1/2"

20 1/4"  $\phi$

24 3/8"  $\phi$

1/4" THK STL PLATE  
W/ 11/16" DIA ANCHOR HOLE  
( 3 PLACES )

NOTES:

- 1.) ALL STL. MEMBERS COATED W/ ZINC RICH EPOXY THEN FINISHED W/ POLYESTER POWDER COATING.
- 2.) 1/2" X 3 3/4" EXPANSION ANCHOR BOLTS PROVIDED.



RECEPTACLE

DATE DRAWN : 05/23/12  
DRAWN BY : JSB  
DATE REV. : 11/06/20  
REV. BY : RDH

REV.

B

DRAWING  
NUMBER

438-32  
W/ CVB-20-FT0

SHEET

1 OF 2

**NOTES:**

- 1.) THE ACTUAL PARTS WILL NOT BE NUMBERED. NUMBERS ONLY APPLY TO DRAWING.
- 2.) MOUNT AND ANCHOR AS SPECIFIED.

**TOOLS REQ'D**

- 3/4" WRENCH
- 1/2" WRENCH
- 3/16" ALLEN WRENCH
- 1/2" MASONRY DRILL BIT
- DRILL

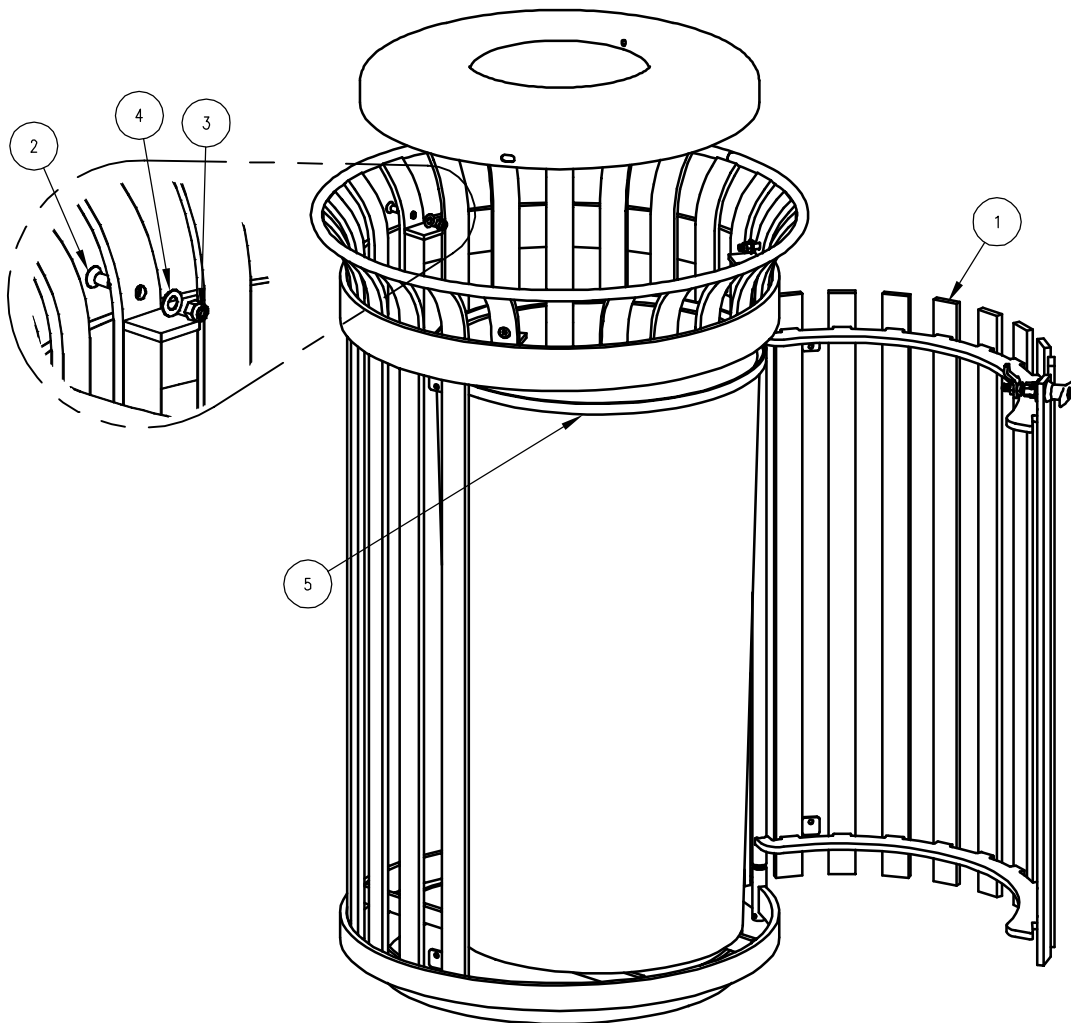
**PARTS LIST**

ITEM	QTY	PART NO	DESCRIPTION
1	1	0-438-32	32 GAL STL RECEPT ASSEMBLY
2	3	1-12-003	5/16" X 1 1/2" SS FLT SKT HD CAP SRC
3	3	1-20-016	5/16" SS NYLON LOCKNUT
4	3	1-22-017	5/16" SS FLAT WASHER
5	1	49-32T	32 GAL PLASTIC LINER

**KITS PROVIDED**

ITEM	QTY	PART NO	DESCRIPTION
6	1	K-ANC0860-3	1/2" X 3 3/4" SS ANCHOR KIT (3PCS)
7	1	K-FC0524-3L	5/16" CAP HARDWARE KIT (3 PCS)

①



**ASSEMBLY INSTRUCTIONS**

DATE DRAWN : 05/23/12  
 DRAWN BY : JSB  
 DATE REV. : 11/06/20  
 REV. BY : RDH

REV. B

DRAWING NUMBER

438-32  
 W/ CVB-20-FTO

SHEET 2 OF 2