

NOTES:

- 1.) ALL STL. MEMBERS COATED W/ ZINC RICH EPOXY THEN FINISHED W/ POLYESTER POWDER COATING.
- 2.) 1/2" X 3 3/4" EXPANSION ANCHOR BOLTS PROVIDED.
- 3.) ALL WELDS CONT. THEN GROUND SMOOTH.



DuMor, inc.

P.O. Box 142 Mifflintown, PA 17059-0142

SCALE : NONE

DATE DRAWN : 12/4/12

DRAWN BY : JSB

DATE REV. :

REV. BY :

TITLE :

PLANTER

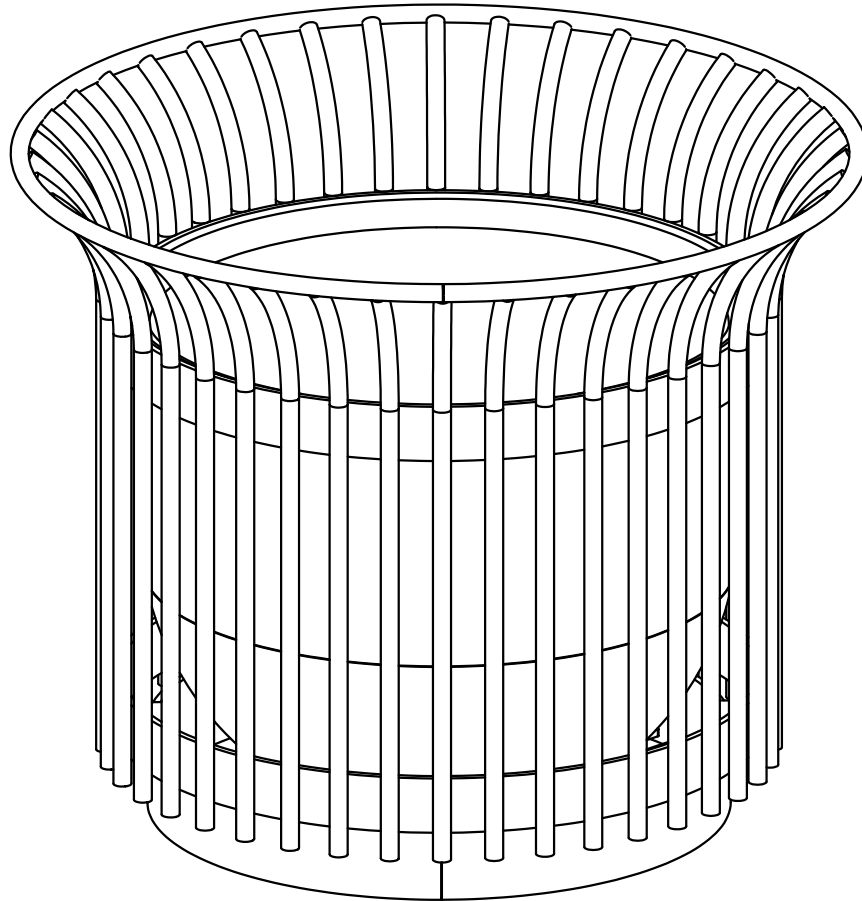
REV.

DRAWING
NUMBER

A

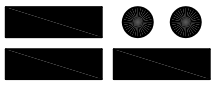
159-00

SHEET
1 OF 2



NOTE:

- 1.) PLANTER SHIPPED FULLY ASSEMBLED.
- 2.) MOUNT AND ANCHOR AS SPECIFIED.

 DuMor, inc. P.O. Box 142 Mifflintown, PA 17059-0142	SCALE :	NONE	TITLE :		PLANTER	
	DATE DRAWN :	12/4/12	REV.	DRAWING NUMBER	159-00	
	DRAWN BY :	JSB	A			
	DATE REV. :					
	REV. BY :					SHEET 2 OF 2