

NOTES

- 1.) ALL STL. MEMBERS COATED W/ ZINC RICH EPOXY THEN FINISHED W/ POLYESTER POWDER COATING.

NOTES:

- 1.) DURING ASSEMBLY PROCEDURE;
DO NOT COMPLETELY TIGHTEN HARDWARE.
- 2.) THE ACTUAL PARTS WILL NOT BE NUMBERED.
NUMBERS ONLY APPLY TO DRAWING.
- 3.) UPON COMPLETION OF ASSEMBLY SQUARE
ALL COMPONENTS THEN TIGHTEN ALL HARDWARE.
- 4.) MOUNT AND ANCHOR AS SPECIFIED.

TOOLS REQ'D

- 9/16" WRENCH
5/16" ALLEN WRENCH

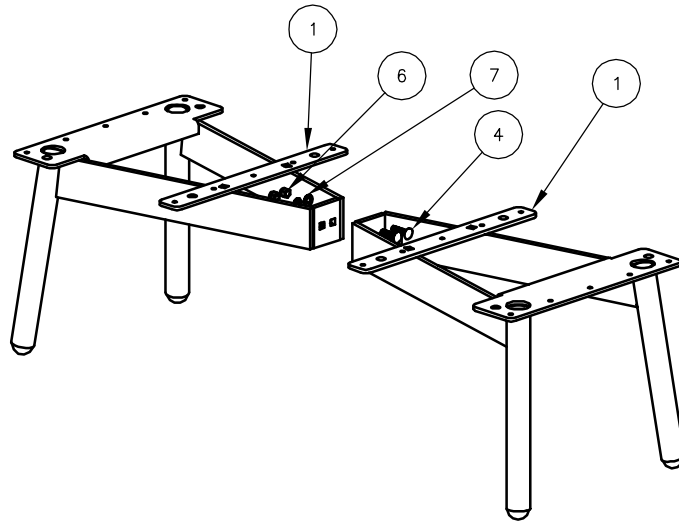
PARTS LIST

ITEM	QTY	PART NO	DESCRIPTION
1	2	0-516-40-00	STL COFFEE TABLE FRAME ASSEMBLY
2	1	0-516-40-02	4' STL TABLE SUB FRAME
3	1	0-516-40-03	4' STL TABLE TOP
4	2	1-11-003	3/8" X 1 1/2" SS CGE BOLT
5	8	1-12-056	1/2" X 1" SS BTN SKT HD CAP SCR
6	2	1-20-007	3/8" SS NYLON LOCKNUT
7	2	1-22-024	3/8" SS FLAT WASHER

KITS PROVIDED

ITEM	QTY	PART NO	DESCRIPTION
8	1	K-BC0816-8W	1/2" CAP HARDWARE KIT W WASHER (8PC)
9	1	K-CG0624-2L	3/8" CGE BOLT HARDWARE KIT W/ LOCK NUTS (2PC)

1 ATTACH TABLE FRAMES TOGETHER.



2 ATTACH SUB FRAME & TABLE TOP TO STEP 1.

