

NOTES

1.) ALL STL. MEMBERS COATED W/ ZINC RICH EPOXY THEN FINISHED W/ POLYESTER POWDER COATING.

SLAT OPTIONS

- ANTIQUE MAHOGANY TEXTURED
- BRAZILIAN WALNUT TEXTURED
- OTHER _____



TABLE

DATE DRAWN : 10/29/20
 DRAWN BY : RDH
 DATE REV. :
 REV. BY :

REV.
A

DRAWING NUMBER

515-50TX

SHEET
1 OF 2

NOTES:

- 1.) DURING ASSEMBLY PROCEDURE;
DO NOT COMPLETELY TIGHTEN HARDWARE.
- 2.) THE ACTUAL PARTS WILL NOT BE NUMBERED.
NUMBERS ONLY APPLY TO DRAWING.
- 3.) UPON COMPLETION OF ASSEMBLY SQUARE
ALL COMPONENTS THEN TIGHTEN ALL HARDWARE.
- 4.) MOUNT AND ANCHOR AS SPECIFIED.

TOOLS REQ'D

- 3/4" WRENCH
- 3/8" HEX DRIVE
- 5/16" ALLEN WRENCH

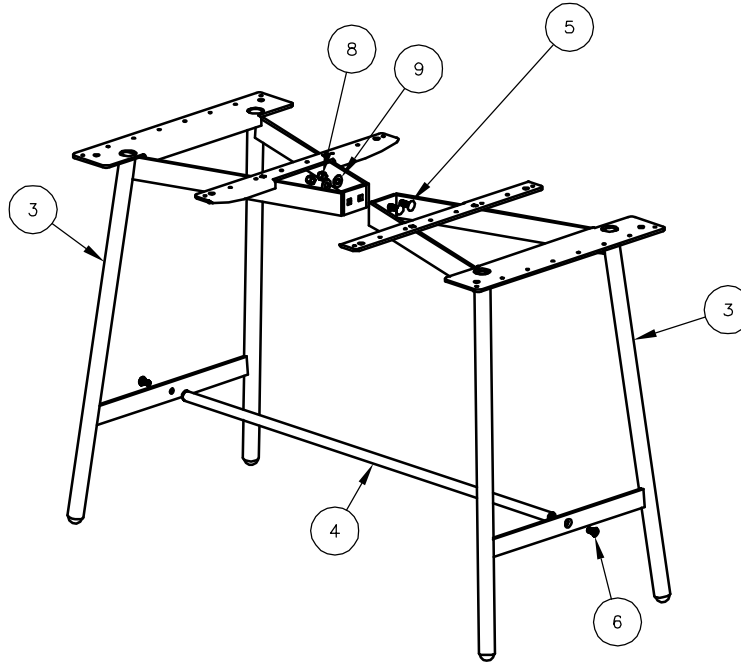
PARTS LIST

| ITEM | QTY | PART NO | DESCRIPTION |
|------|-----|---------------|---|
| 1 | 6 | 0-514-50TX-02 | 1" X 4" X 59" TABLE SLAT, TX |
| 2 | 2 | 0-514-50TX-03 | 1" X 4" X 59" TABLE EDGE SLAT, TX |
| 3 | 2 | 0-515-50-00 | STL TABLE FRAME ASSEMBLY, HIGH |
| 4 | 1 | 0-PB12-54-00 | 3/4" SCH 40 PIPE BRACE (54") |
| 5 | 2 | 1-11-042 | 1/2" X 1 1/2" SS CGE BOLT |
| 6 | 2 | 1-12-014 | 1/2" X 1" SS FLT SKT HD CAP SCR |
| 7 | 32 | 1-16-023 | #14 X 7/8 SS HX WASH HD 'A' SLTD WD SCREW |
| 8 | 2 | 1-20-015 | 1/2" SS NYLON LOCKNUT |
| 9 | 2 | 1-22-015 | 1/2" SS FLAT WASHER |

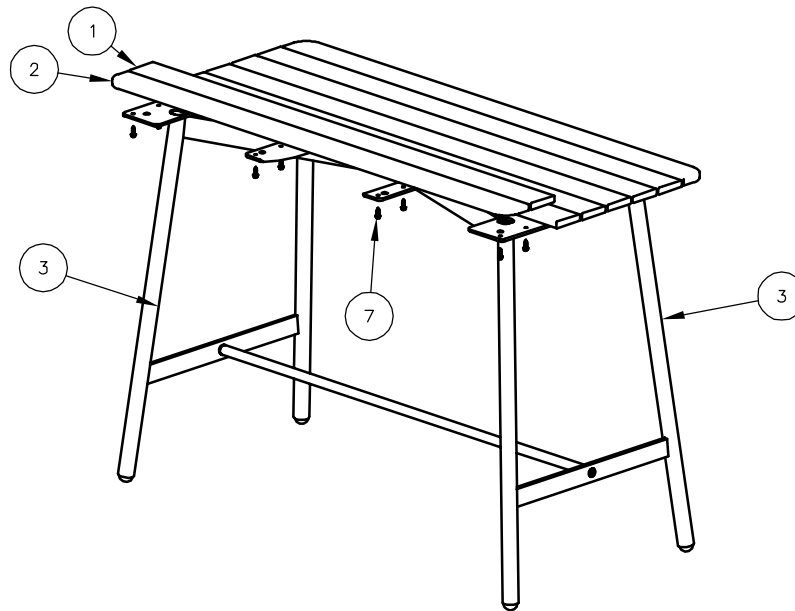
KITS PROVIDED

| ITEM | QTY | PART NO | DESCRIPTION |
|------|-----|-------------|-----------------------------------|
| 10 | 1 | K-CG0824-2L | 1/2" CGE BOLT HARDWARE KIT (2PC) |
| 11 | 1 | K-FC0816-2 | 1/2" CAP HARDWARE KIT (2 PCS) |
| 12 | 2 | K-WS1414-16 | #14 HEX HD WASH WOOD SCR (16PC) |

① ATTACH TABLE FRAMES TOGETHER.



② ATTACH SLATS TO STEP 1 ASSEMBLY.



ASSEMBLY INSTRUCTIONS

DATE DRAWN : 10/29/20
 DRAWN BY : RDH
 DATE REV. :
 REV. BY :

REV. A

DRAWING NUMBER

515-50TX

SHEET 2 OF 2