

NOTES

- 1.) ALL STL. MEMBERS COATED W/ ZINC RICH EPOXY THEN FINISHED W/ POLYESTER POWDER COATING.

NOTES:

- 1.) DURING ASSEMBLY PROCEDURE;
DO NOT COMPLETELY TIGHTEN HARDWARE.
- 2.) THE ACTUAL PARTS WILL NOT BE NUMBERED.
NUMBERS ONLY APPLY TO DRAWING.
- 3.) UPON COMPLETION OF ASSEMBLY SQUARE
ALL COMPONENTS THEN TIGHTEN ALL HARDWARE.
- 4.) MOUNT AND ANCHOR AS SPECIFIED.

TOOLS REQ'D

- 3/4" WRENCH
- 5/16" ALLEN WRENCH

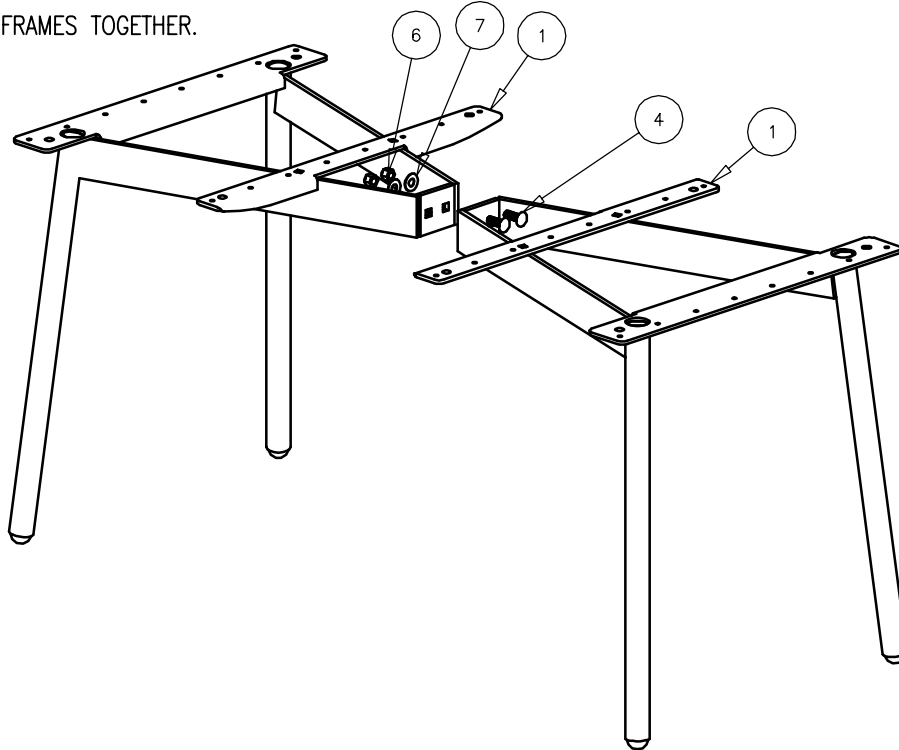
PARTS LIST

ITEM	QTY	PART NO	DESCRIPTION
1	2	0-514-50-00	STL TABLE FRAME ASSEMBLY
2	1	0-514-50-04	STL TABLE SUB FRAME
3	1	0-514-50-06	STL SLOTTED TABLE TOP
4	2	1-11-042	1/2" X 1 1/2" SS CGE BOLT
5	8	1-12-056	1/2" X 1" SS BTN SKT HD CAP SCR
6	2	1-20-015	1/2" SS NYLON LOCKNUT
7	2	1-22-015	1/2" SS FLAT WASHER

KITS PROVIDED

ITEM	QTY	PART NO	DESCRIPTION
8	1	K-BC0816-8W	1/2" CAP HARDWARE KIT W WASHER (8PC)
9	1	K-CG0824-2L	1/2" CGE BOLT HARDWARE KIT (2PC)

1 ATTACH TABLE FRAMES TOGETHER.



2 ATTACH SUB FRAME & TABLE TOP TO STEP 1 ASSEMBLY.

