

WOOD OPTIONS

- IPE S4S EE
- OTHER \_\_\_\_\_

NOTES

1.) ALL ALUM. MEMBERS COATED W/ ZINC RICH EPOXY THEN FINISHED W/ POLYESTER POWDER COATING.



BENCH

DATE DRAWN : 10/14/20  
 DRAWN BY : RDH  
 DATE REV. :  
 REV. BY :

REV.  
A

DRAWING  
NUMBER

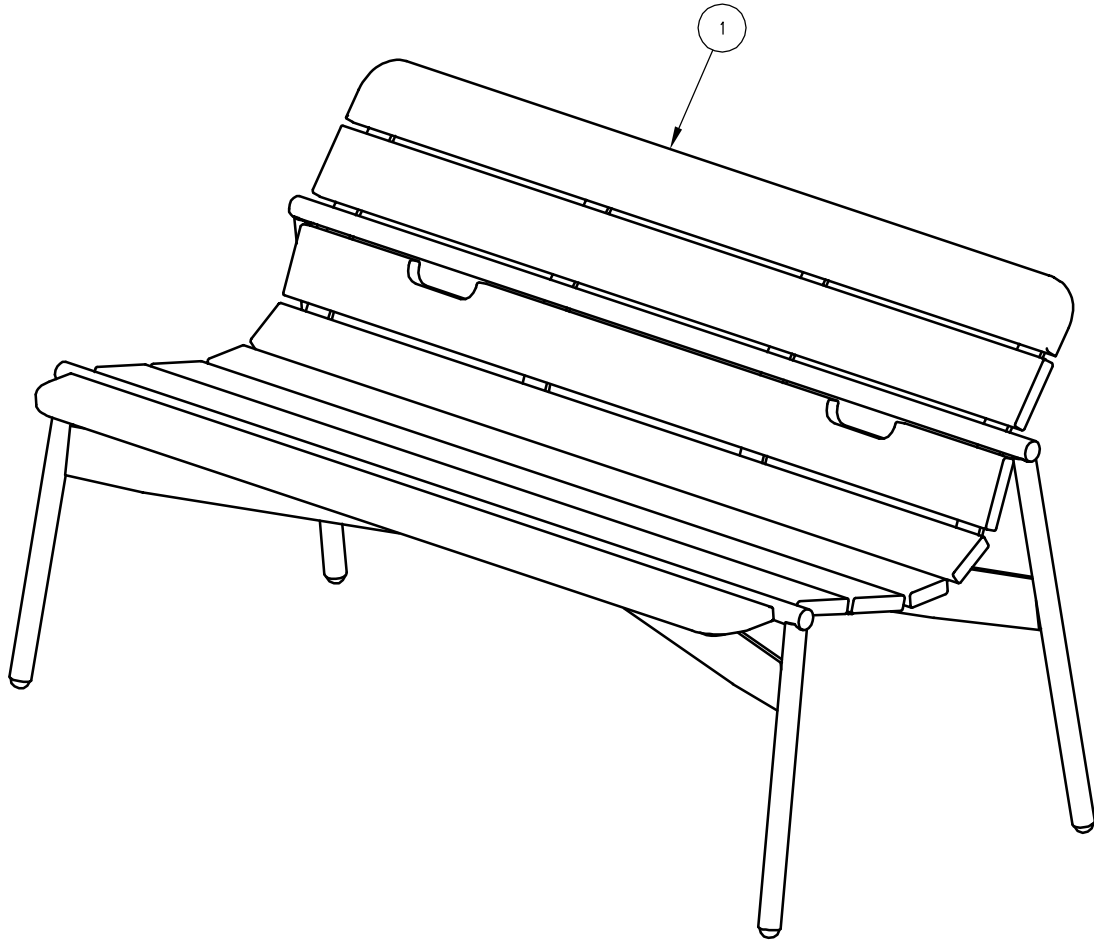
512-40NA

SHEET  
1 OF 2

NOTE: NO ASSEMBLY REQUIRED.

PARTS LIST

ITEM	QTY	PART NO	DESCRIPTION
1	1	0-512-40NA	4' ALUM LOUNGER BENCH, NO ARMS, WOOD



ASSEMBLY INSTRUCTIONS

DATE DRAWN : 10/14/20  
 DRAWN BY : RDH  
 DATE REV. :  
 REV. BY :

REV. A

DRAWING NUMBER

512-40NA

SHEET 2 OF 2