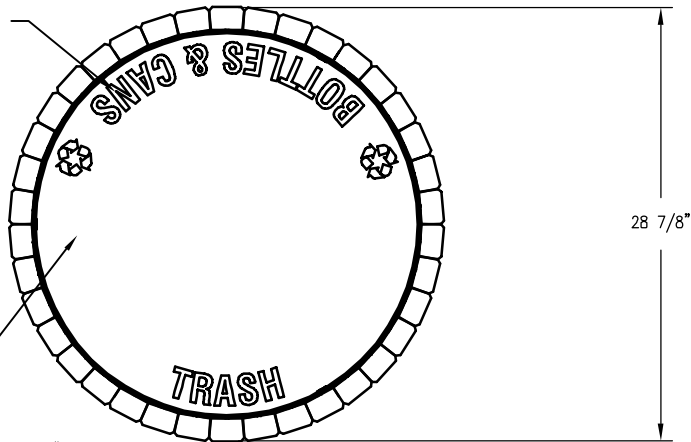
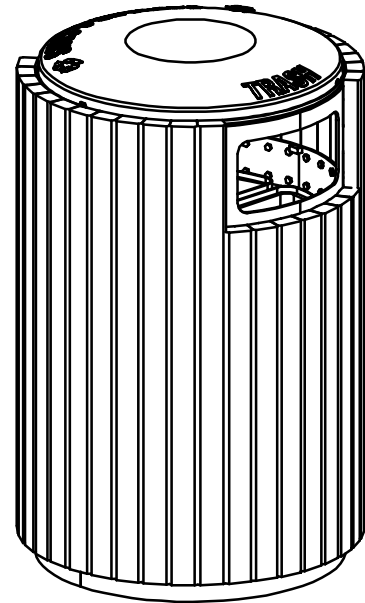


VINYL LETTERING

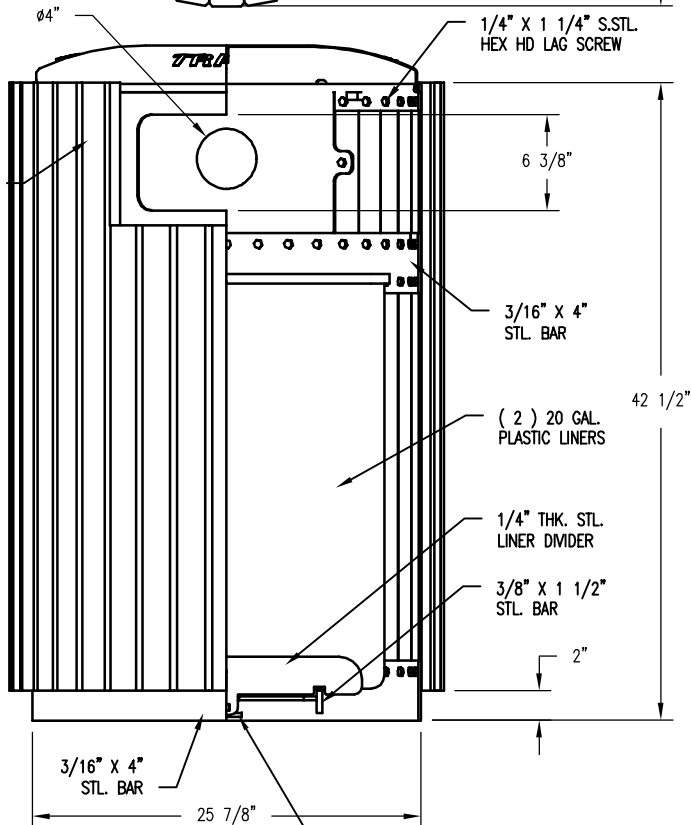
14 GA SPUN  
STL COVER



28 7/8"



1 1/2" THK. SLATS  
( SEE SLAT OPTIONS )



42 1/2"

3/16" X 4"  
STL. BAR

25 7/8"

1/4" THK. STL. PLATE W/  
11/16" Ø ANCHOR HOLES  
( 3-PLACES )

1/4" X 1 1/4" S.STL.  
HEX HD LAG SCREW

6 3/8"

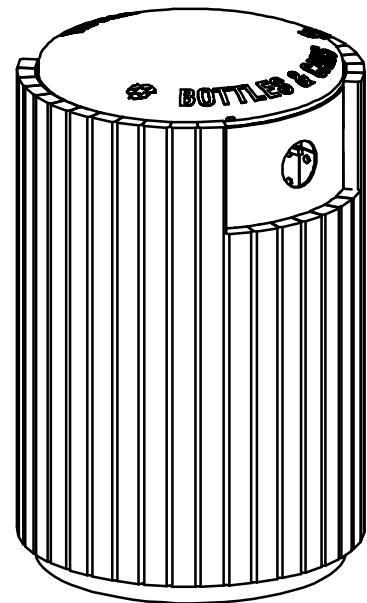
3/16" X 4"  
STL. BAR

( 2 ) 20 GAL.  
PLASTIC LINERS

1/4" THK. STL.  
LINER DIVIDER

3/8" X 1 1/2"  
STL. BAR

2"



NOTES

- 1.) ALL STL. MEMBERS COATED W/ ZINC RICH EPOXY THEN FINISHED W/ POLYESTER POWDER COATING.
- 2.) 1/2" X 3 3/4" EXPANSION ANCHOR BOLT PROVIDED.

SLAT OPTIONS

- "CEDAR" RECYCLED PLASTIC
- "GREY" RECYCLED PLASTIC
- "REDWOOD" RECYCLED PLASTIC
- "WALNUT" RECYCLED PLASTIC
- OTHER \_\_\_\_\_



DRAWING TITLE

DATE DRAWN : 10/14/20  
DRAWN BY : JSB  
DATE REV. : 00/00/00  
REV. BY : XXX

REV.  
A

DRAWING NUMBER  
70-40PL-20  
W/ CVR-40-RC-0036

SHEET  
1 OF 2

PARTS LIST

ITEM	QTY	PART NO	DESCRIPTION
1	1	0-70-40PL-S0	0 GAL RECEPT ASSEMBLY, SIDE OPENING, PLASTIC
2	2	49-20H	20 GAL HALF ROUND LINER (ANDURAN CO)

KITS PROVIDED

ITEM	QTY	PART NO	DESCRIPTION
3	1	K-ANCO860-3	1/2" X 3 3/4" SS ANCHOR KIT (3PCS)

NOTES:

- 1.) THE ACTUAL PARTS WILL NOT BE NUMBERED. NUMBERS ONLY APPLY TO DRAWING.
- 2.) MOUNT AND ANCHOR AS SPECIFIED.

TOOLS REQ'D

- 3/4" WRENCH  
 PLIERS  
 ( FOR ATTACHING COVER )  
 1/2" MASONRY DRILL BIT  
 DRILL

