

NOTES

- 1.) ALL STL. MEMBERS COATED W/ ZINC RICH EPOXY THEN FINISHED W/ BLACK POLYESTER POWDER COATING.
- 2.) 1/2" X 3 3/4" EXPANSION ANCHOR BOLTS PROVIDED.
- 3.) RECEPTACLE FULLY ASSEMBLED AT FACTORY.

SLAT OPTIONS

- "CEDAR" RECYCLED PLASTIC
- "GREY" RECYCLED PLASTIC
- "REDWOOD" RECYCLED PLASTIC
- "WALNUT" RECYCLED PLASTIC
- OTHER _____

PARTS LIST

ITEM	QTY	PART NO	DESCRIPTION
2	1	49-32T	32 GAL PLASTIC LINER
1	1	0-70-32TPL-SO	32 GAL RECEPTACLE ASSEMBLY, SIDE OPENING, PL

KITS PROVIDED

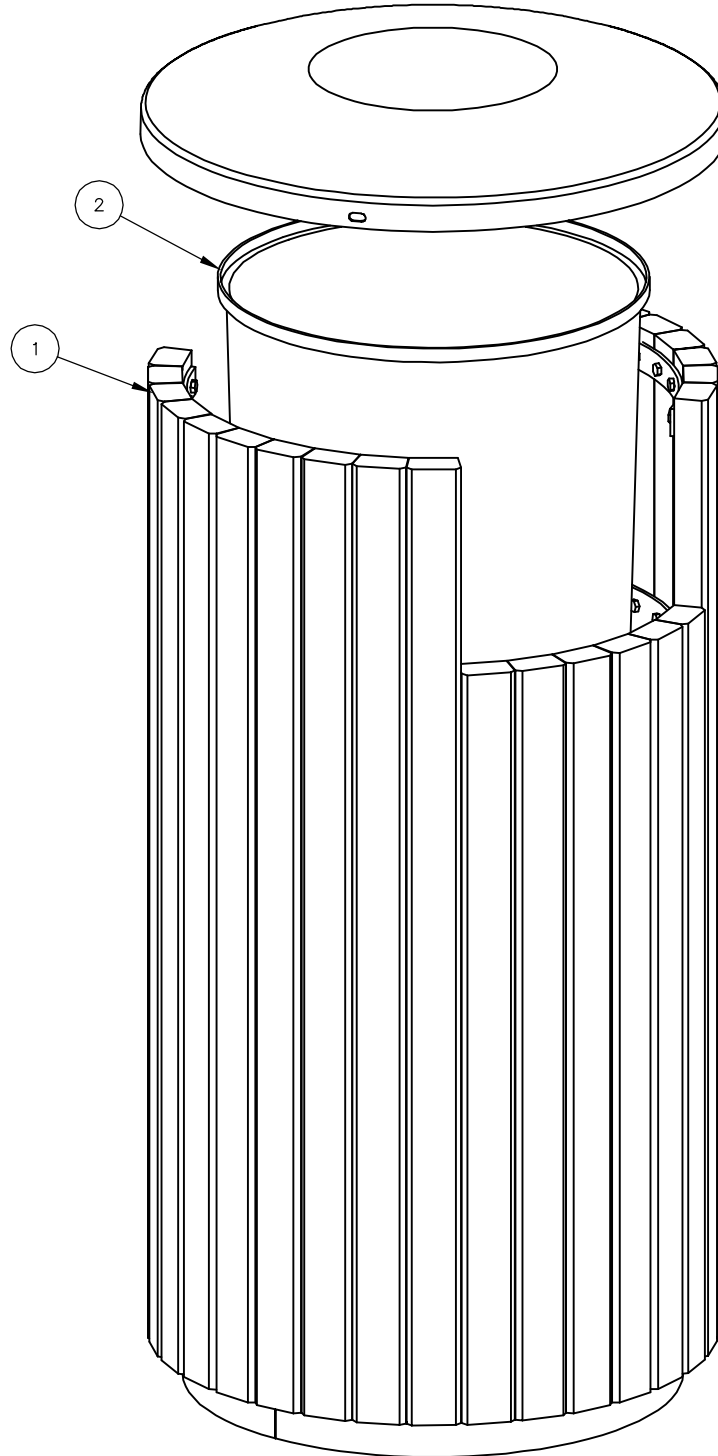
ITEM	QTY	PART NO	DESCRIPTION
3	1	K-ANC0860-3	1/2" X 3 3/4" SS ANCHOR KIT (3PCS)

NOTES:

- 1.) THE ACTUAL PARTS WILL NOT BE NUMBERED. NUMBERS ONLY APPLY TO DRAWING.
- 2.) MOUNT AND ANCHOR AS SPECIFIED.

TOOLS REQ'D

- 3/4" WRENCH
 1/2" MASONRY DRILL BIT
 DRILL



ASSEMBLY INSTRUCTIONS

DATE DRAWN :10/13/20
 DRAWN BY : JSB
 DATE REV. :
 REV. BY :

REV. A

DRAWING NUMBER

70-32TPL-SO
 W/ CVN-30-FTC

SHEET 2 OF 2