

NOTES

- 1.) ALL STL. MEMBERS COATED W/ ZINC RICH EPOXY THEN FINISHED W/ BLACK POLYESTER POWDER COATING.
- 2.) 1/2" X 3 3/4" EXPANSION ANCHOR BOLTS PROVIDED.
- 3.) RECEPTACLE FULLY ASSEMBLED AT FACTORY.

SLAT OPTIONS

- ANTIQUE MAHOGANY TEXTURED
- BRAZILIAN WALNUT TEXTURED
- OTHER _____



RECEPTACLE

DATE DRAWN : 10/12/20
 DRAWN BY : JSB
 DATE REV. :
 REV. BY :

REV.
A

DRAWING NUMBER

70-32TTX-SO
 W/ CVN-30-FTC

SHEET
1 OF 2

PARTS LIST

ITEM	QTY	PART NO	DESCRIPTION
1	1	0-70-32TTX-S0	32 GAL. RECEPTACLE ASSEMBLY, SIDE OPENING, TX
2	1	49-32T	32 GAL. PLASTIC LINER

NOTES:

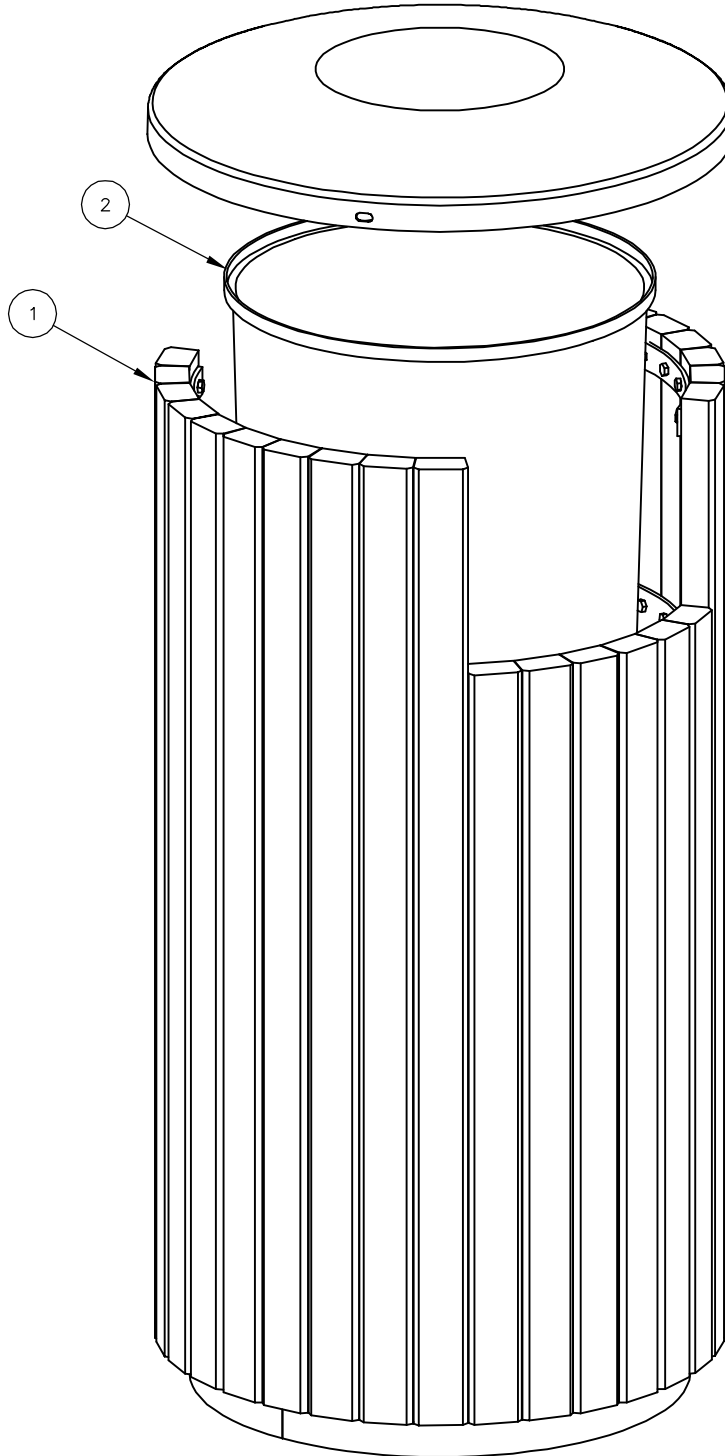
- 1.) THE ACTUAL PARTS WILL NOT BE NUMBERED. NUMBERS ONLY APPLY TO DRAWING.
- 2.) MOUNT AND ANCHOR AS SPECIFIED.

TOOLS REQ'D

- 3/4" WRENCH
 1/2" MASONRY DRILL BIT
 DRILL

KITS PROVIDED

ITEM	QTY	PART NO	DESCRIPTION
3	1	K-ANC0860-3	1/2" X 3 3/4" SS ANCHOR KIT (3PCS)



ASSEMBLY
 INSTRUCTIONS

DATE DRAWN : 10/12/20
 DRAWN BY : JSB
 DATE REV. :
 REV. BY :

REV.
 A

DRAWING
 NUMBER

70-32TTX-S0
 W/ CVN-30-FTC

SHEET
 2 OF 2