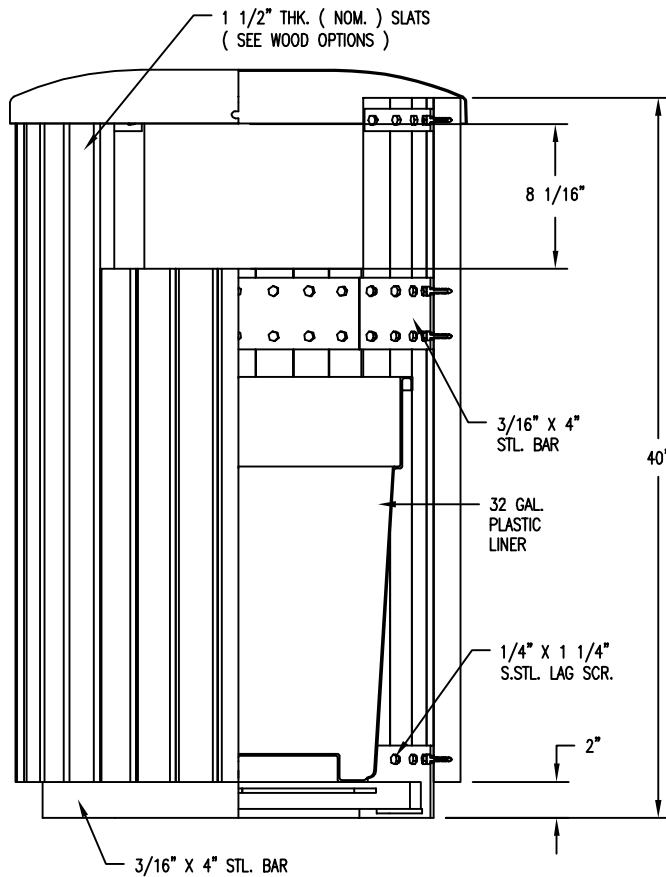
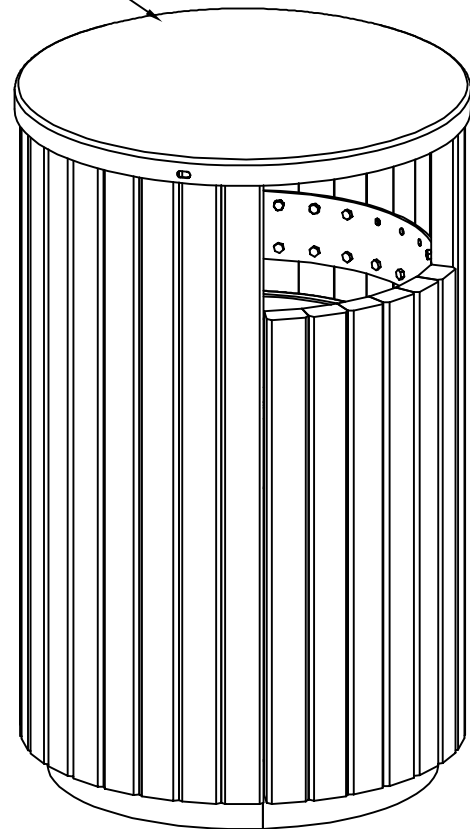


1/4" THK. STL. PLATE W/
1 1/16" Ø ANCHOR HOLE
(3-PLACES)

14GA SPUN
STL COVER



NOTES

- 1.) ALL STL. MEMBERS COATED W/ ZINC RICH EPOXY THEN FINISHED W/ BLACK POLYESTER POWDER COATING.
- 2.) 1/2" X 3 3/4" EXPANSION ANCHOR BOLTS PROVIDED.
- 3.) RECEPTACLE FULLY ASSEMBLED AT FACTORY.

WOOD OPTIONS

- 'C' & BTR. DOUGLAS FIR KD S4S EE
- IPE S4S EE
- OTHER _____



RECEPTACLE

DATE DRAWN : 10/19/20
DRAWN BY : JSB
DATE REV. :
REV. BY :

REV.
A

DRAWING
NUMBER

70-22-S0
W/ CVN-30-FTC

SHEET
1 OF 2

PARTS LIST

ITEM	QTY	PART NO	DESCRIPTION
1	1	0-70-20-S0	20 GAL RECEPTACLE ASSEMBLY, SIDE OPENING
2	1	49-22	22 GAL PL LINER W/HANDLE, BLK

TOOLS REQ'D

3/4" WRENCH
 1/2" MASONRY DRILL BIT
 DRILL

NOTES:

- 1.) THE ACTUAL PARTS WILL NOT BE NUMBERED. NUMBERS ONLY APPLY TO DRAWING.
- 2.) MOUNT AND ANCHOR AS SPECIFIED.

KITS PROVIDED

ITEM	QTY	PART NO	DESCRIPTION
3	1	K-ANC0860-3	1/2" X 3 3/4" SS ANCHOR KIT (3PCS)

