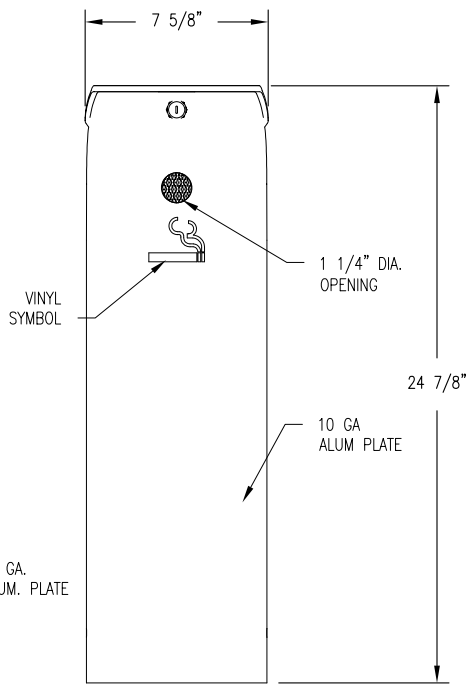
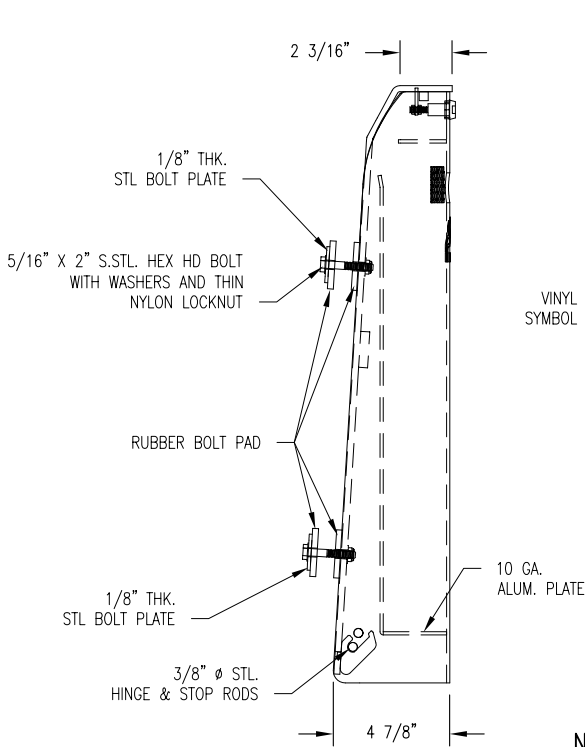
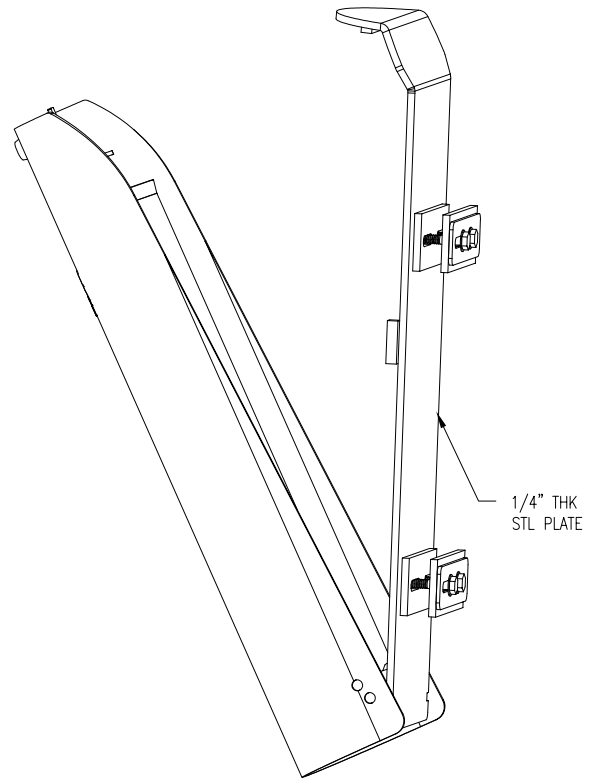
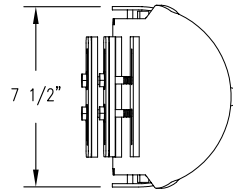
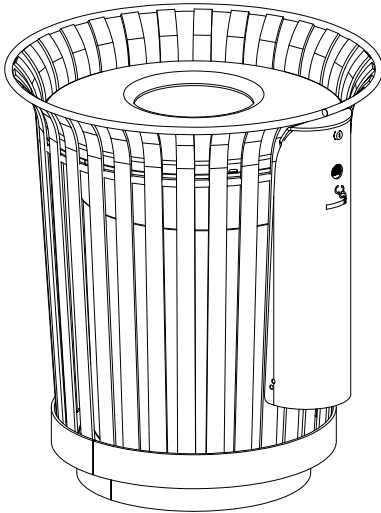


SHOWN ON 84 SERIES



NOTES:

- 1.) ALL STL. & ALUM. MEMBERS COATED W/ ZINC RICH EPOXY THEN FINISHED W/ POLYESTER POWDER COATING.
- 2.) LATCH PROVIDED W/ KEY.

DuMor, inc.
P.O. Box 142 Mifflintown, PA 17059-0142

SCALE : NONE
DATE DRAWN : 12/06/10
DRAWN BY : ESS
DATE REV. :
REV. BY :

TITLE : ASH URN

REV. A

DRAWING NUMBER 423-00

SHEET 1 OF 2