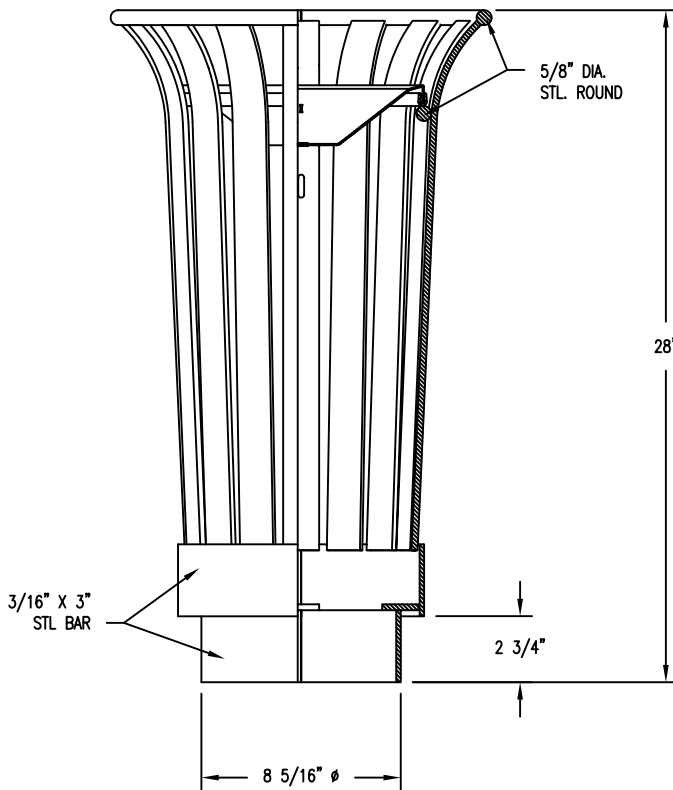
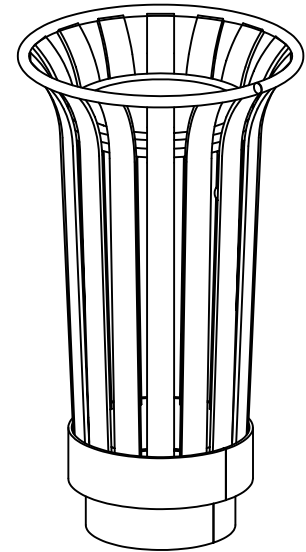
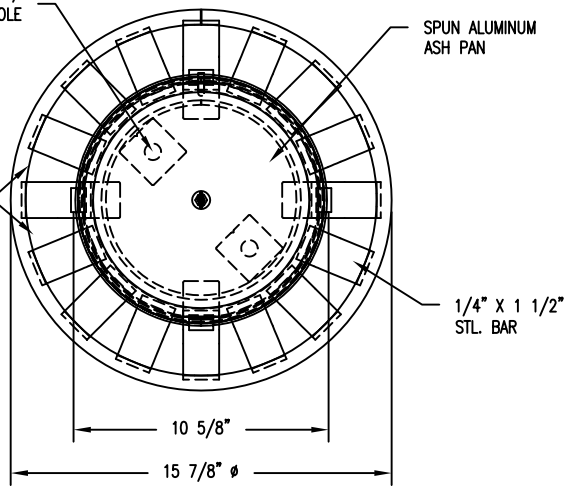


1/4" THK STL PLATE W/
11/16" DIA ANCHOR HOLE

SPUN ALUMINUM
ASH PAN

EQUAL SPACE

1/4" X 1 1/2"
STL BAR



NOTES

- 1.) ALL STL. MEMBERS COATED W/ ZINC RICH EPOXY THEN FINISHED W/ POLYESTER POWDER COATING.
- 2.) 1/2" X 3 3/4" EXPANSION ANCHOR BOLTS PROVIDED.
- 3.) ASH URN FULLY ASSEMBLED AT FACTORY.



DuMor, inc.

P.O. Box 142 Mifflintown, PA 17059-0142

SCALE :

NONE

TITLE :

ASH URN

DATE DRAWN : 7/26/95

DRAWN BY : AH

DATE REV. : 12/3/12

REV. BY : JSB

REV.

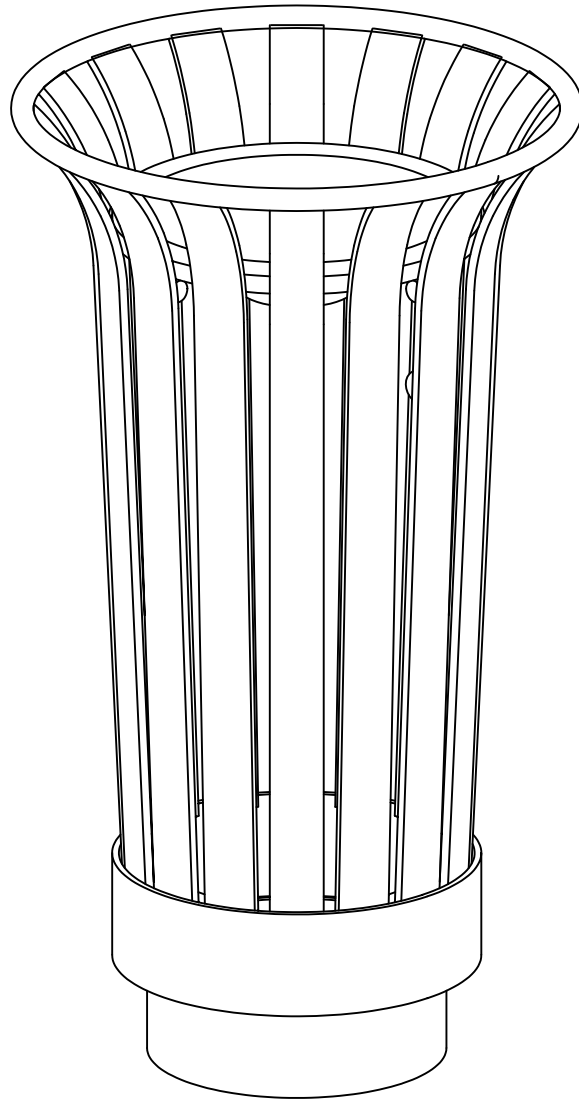
DRAWING
NUMBER

F

80-00

SHEET

1 OF 2



NOTE:

- 1.) SHIPPED FULLY ASSEMBLED.
- 2.) MOUNT AND ANCHOR AS SPECIFIED.



DuMor, inc.

P.O. Box 142 Mifflintown, PA 17059-0142

SCALE : NONE
DATE DRAWN : 7/26/95
DRAWN BY : AH
DATE REV. : 12/3/12
REV. BY : JSB

TITLE : ASH URN ASSEMBLY

REV. F

DRAWING NUMBER

80-00

SHEET 2 OF 2