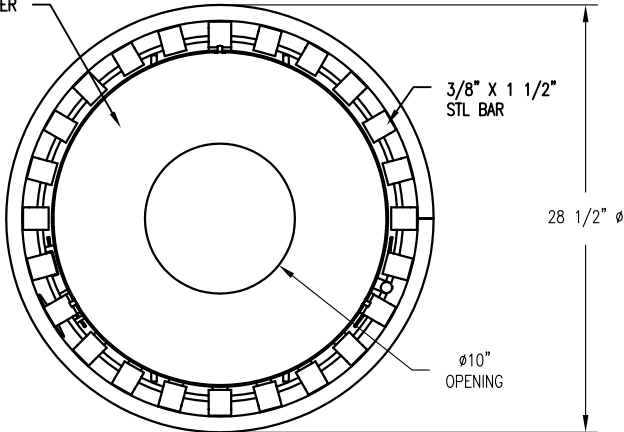


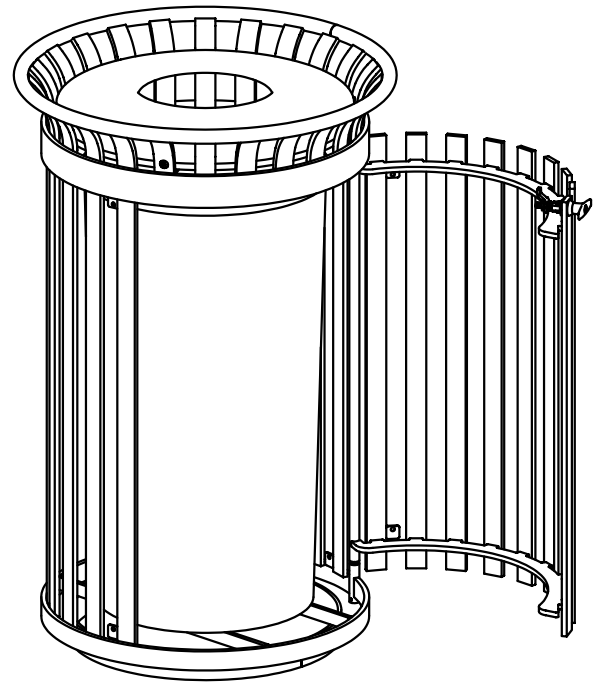
14 GA SPUN
STL COVER



3/8" X 1 1/2"
STL BAR

28 1/2" ϕ

ϕ 10"
OPENING



3/4" SCH 40
STL PIPE
(1 1/16" OD)

3/8" X 2 1/2"
STL BAR

3/8" THK
STL PLATE

44 11/16"

32 GAL PLASTIC
LINER

3/8" X 1"
STL BAR

3/8" X 1 1/2"
STL BAR

1/4" X 2"
STL BAR

1 1/2"

20 1/4" ϕ
24 3/8" ϕ
1/4" THK STL PLATE
W/ 11/16" DIA ANCHOR HOLE
(3 PLACES)

NOTES:

- 1.) ALL STL. MEMBERS COATED W/ ZINC RICH EPOXY THEN FINISHED W/ POLYESTER POWDER COATING.
- 2.) 1/2" X 3 3/4" EXPANSION ANCHOR BOLTS PROVIDED.
- 3.) ALL WELDS CONT. THEN GROUND SMOOTH.
- 4.) RECEPTACLE FULLY ASSEMBLED AT FACTORY.



DuMor, inc.

P.O. Box 142 Mifflintown, PA 17059-0142

SCALE : NONE

DATE DRAWN : 5/23/12

DRAWN BY : JSB

DATE REV. :

REV. BY :

TITLE :

RECEPTACLE

REV.

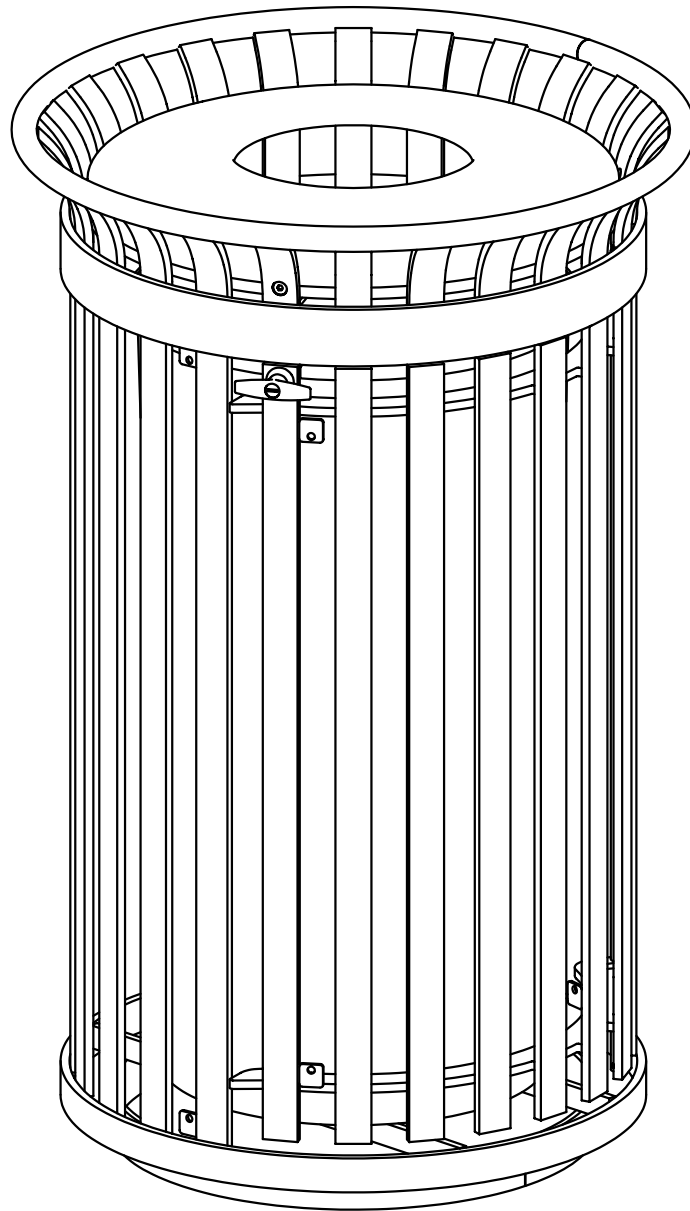
A

DRAWING
NUMBER

438-32-FTO

SHEET

1 OF 2



NOTE:

- 1.) RECEPTACLE SHIPPED FULLY ASSEMBLED.
- 2.) MOUNT AND ANCHOR AS SPECIFIED.



DuMor, inc.

P.O. Box 142 Mifflintown, PA 17059-0142

SCALE : NONE

DATE DRAWN : 5/23/12

DRAWN BY : JSB

DATE REV. :

REV. BY :

TITLE :

RECEPTACLE ASSEMBLY

REV.

A

DRAWING
NUMBER

438-32-FTO

SHEET

2 OF 2