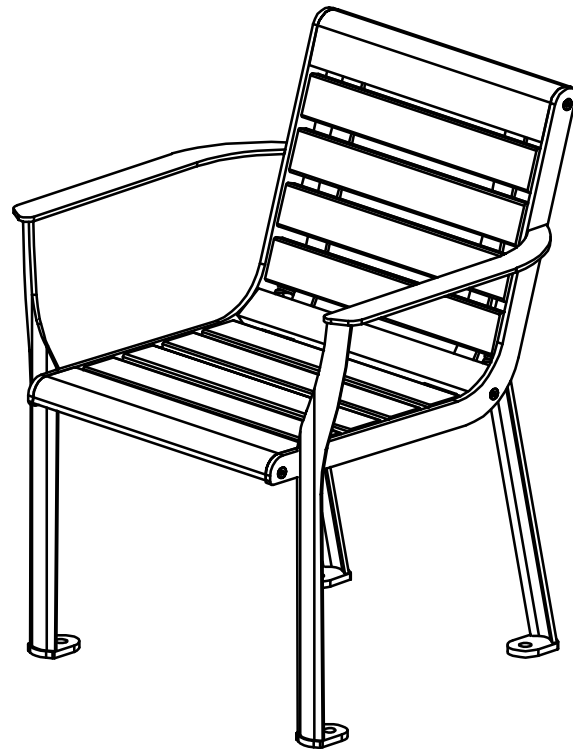


OPTIONAL GLIDE DETAIL



SLAT OPTIONS

- ANTIQUE MAHOGANY TEXTURED
- BRAZILIAN WALNUT TEXTURED
- OTHER _____

NOTES

- 1.) ALL STL. MEMBERS COATED W/ ZINC RICH EPOXY THEN FINISHED W/ POLYESTER POWDER COATING.
- 2.) (4) - 1/2" X 1" NYLON GLIDES PROVIDED.



CHAIR

DATE DRAWN : 11/08/18
 DRAWN BY : RDH
 DATE REV. :
 REV. BY :

REV.
D

DRAWING NUMBER

481-20TX

SHEET
1 OF 2

NOTES:

- 1.) DURING ASSEMBLY PROCEDURE;
DO NOT COMPLETELY TIGHTEN HARDWARE.
- 2.) THE ACTUAL PARTS WILL NOT BE NUMBERED.
NUMBERS ONLY APPLY TO DRAWING.
- 3.) UPON COMPLETION OF ASSEMBLY SQUARE
ALL COMPONENTS THEN TIGHTEN ALL HARDWARE.
- 4.) MOUNT AND ANCHOR AS SPECIFIED.

TOOLS REQ'D

- 3/4" WRENCH
- 1/2" WRENCH
- 1/4" WRENCH
- 3/16" ALLEN WRENCH

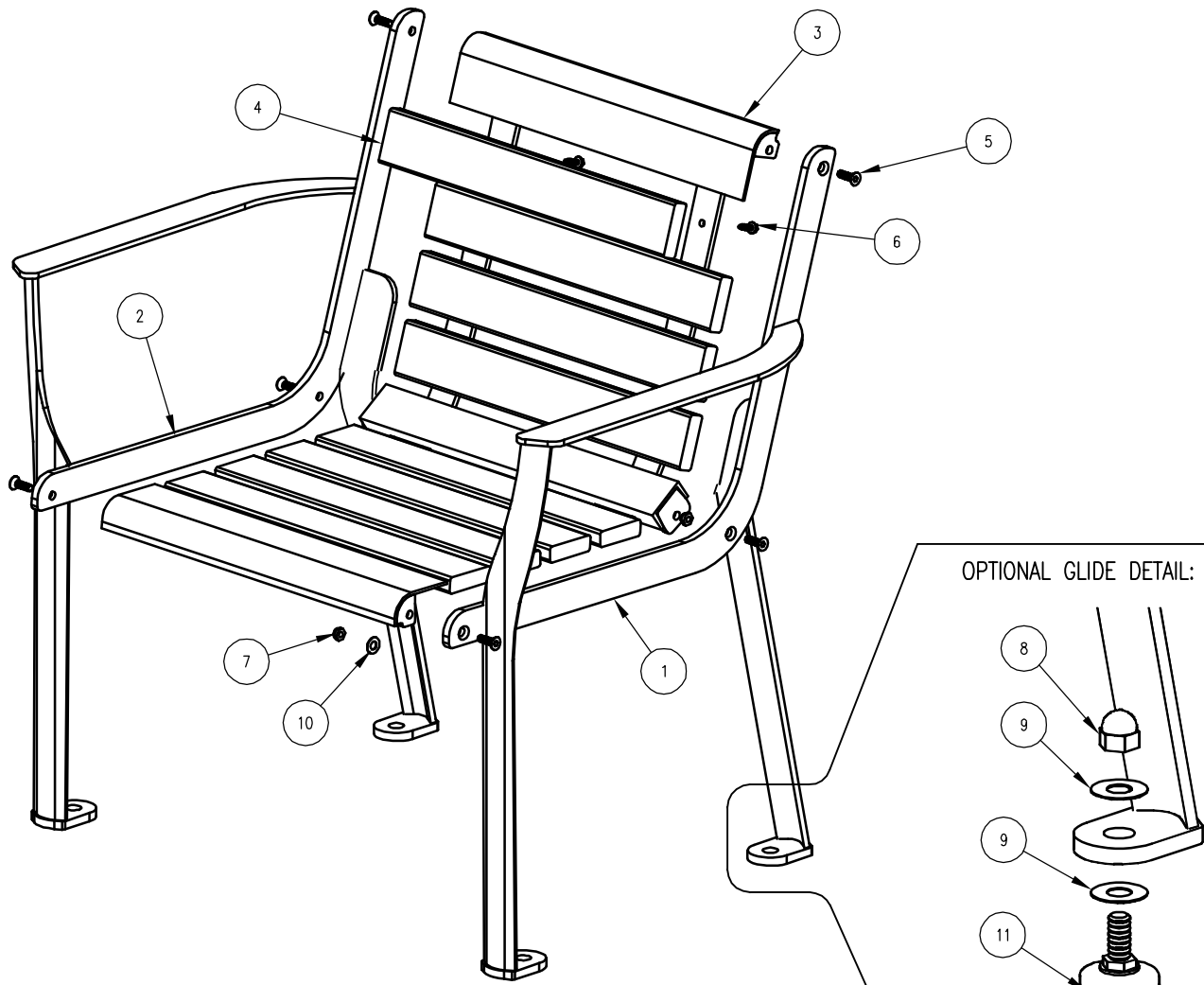
PARTS LIST

| ITEM | QTY | PART NO | DESCRIPTION |
|------|-----|---------------|---|
| 1 | 1 | 0-481-00-01L | STL CHAIR FRAME - LEFT |
| 2 | 1 | 0-481-00-01R | STL CHAIR FRAME - RIGHT |
| 3 | 1 | 0-481-20-03 | STL SEAT FRAME FOR WOOD |
| 4 | 8 | 0-481-20TX-04 | 17 3/4" SEAT SLAT, TX |
| 5 | 6 | 1-12-023 | 5/16" X 1" SS FLT SKT HD CAP SCR |
| 6 | 16 | 1-16-023 | #14 X 7/8 SS HX WASH HD 'A' SLTD WD SCREW |
| 7 | 6 | 1-20-020 | 5/16" SS THIN NYLON LOCKNUT |
| 8 | 4 | 1-21-019 | 1/2" SS HEX ACORN NUT |
| 9 | 8 | 1-22-015 | 1/2" SS FLAT WASHER |
| 10 | 6 | 1-22-017 | 5/16" SS FLAT WASHER |
| 11 | 4 | 5-48-096 | 1/2" X 1" SWIVEL GLIDE |

KITS PROVIDED

| ITEM | QTY | PART NO | DESCRIPTION |
|------|-----|--------------|-----------------------------------|
| 12 | 1 | K-FC0516-6TL | 5/16" CAP HARDWARE KIT (6 PCS) |
| 13 | 1 | K-GL0816-4 | 1/2" X 1" GLIDE KIT (4PCS) |
| 14 | 1 | K-WS1414-16 | #14 HEX HD WASH WOOD SCR (16PC) |

1 ATTACH STL. SEAT FRAME TO CHAIR FRAMES. ATTACH SLATS.



2 ATTACH GLIDES TO FRAME.