

NOTES:

- 1.) ALL STL. MEMBERS COATED W/ ZINC RICH EPOXY THEN FINISHED W/ POLYESTER POWDER COATING.
- 2.) 1/2" X 3 3/4" EXPANSION ANCHOR BOLTS PROVIDED.
- 3.) ALL WELDS CONT. THEN GROUND SMOOTH.
- 4.) RECEPTACLE FULLY ASSEMBLED AT FACTORY.



DuMor, inc.
P.O. Box 142 Mifflintown, PA 17059-0142

SCALE : NONE
 DATE DRAWN : 05/16/11
 DRAWN BY : RDH
 DATE REV. : 12/13/12
 REV. BY : JSB

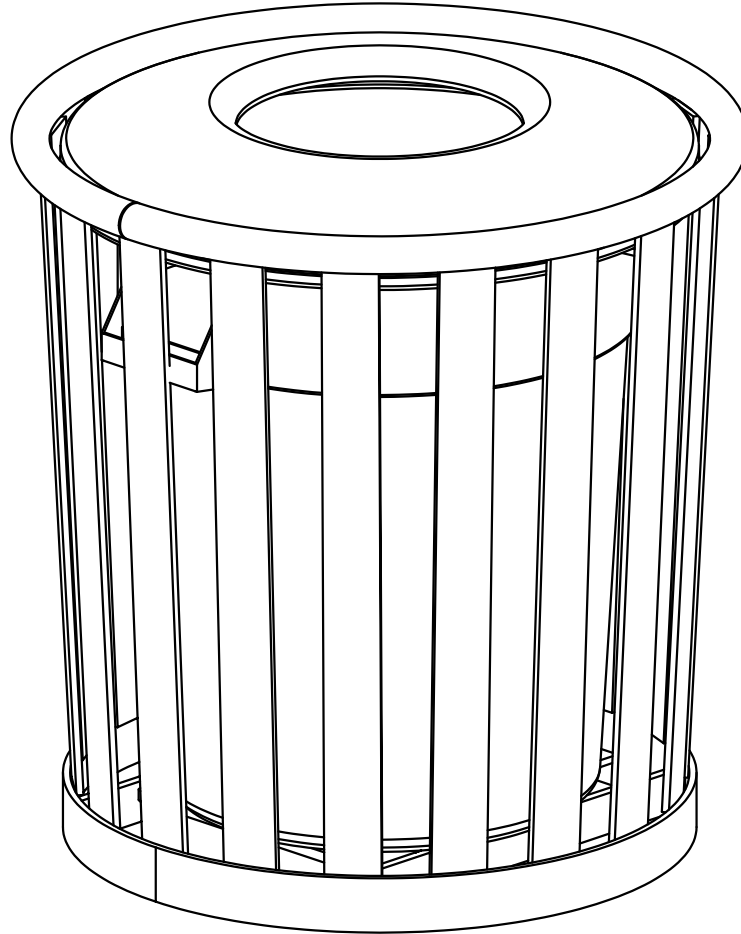
TITLE : RECEPTACLE

REV. B

DRAWING NUMBER

432-22-FTO

SHEET 1 OF 2



NOTE:

- 1.) RECEPTACLE SHIPPED FULLY ASSEMBLED.
- 2.) COVER ATTACHED W/ 1/8" VINYL COATED CABLE.
- 3.) MOUNT AND ANCHOR AS SPECIFIED.



DuMor, inc.

P.O. Box 142 Mifflintown, PA 17059-0142

SCALE :	NONE
DATE DRAWN :	06/21/11
DRAWN BY :	RDH
DATE REV. :	12/13/12
REV. BY :	JSB

TITLE :	RECEPTACLE	
REV.	DRAWING NUMBER	
B	432-22-FTO	
		SHEET 2 OF 2