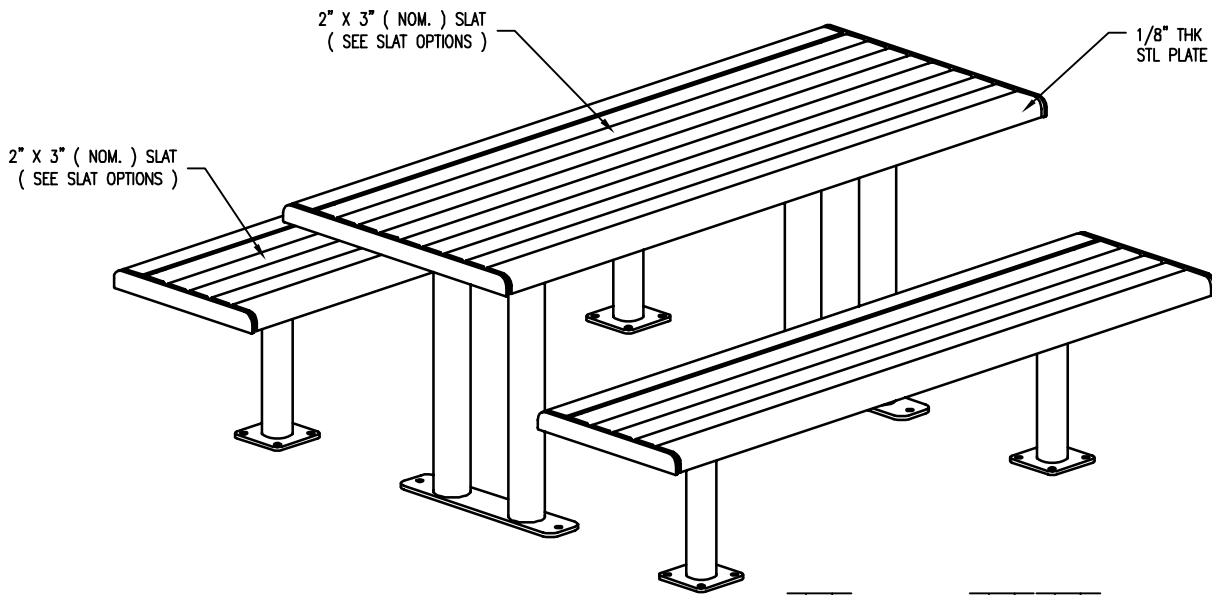


S-2 SURFACE

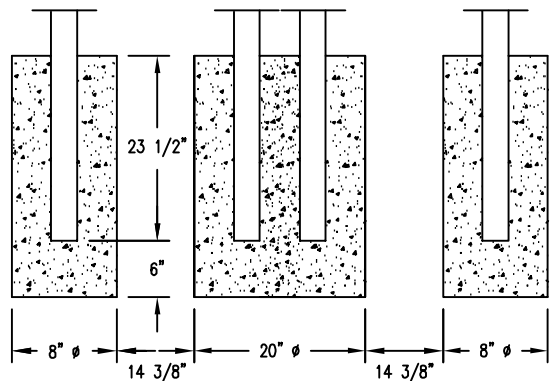


SLAT OPTIONS

- ANTIQUE MAHOGANY TEXTURED
- BRAZILIAN WALNUT TEXTURED
- OTHER \_\_\_\_\_

NOTES

- 1.) ALL STL. MEMBERS COATED W/ ZINC RICH EPOXY THEN FINISHED W/ POLYESTER POWDER COATING.
- 2.) 1/2" X 3 3/4" EXPANSION ANCHOR BOLTS PROVIDED FOR S-2 SURFACE MOUNT.



S-1 EMBEDMENT



TABLE

DATE DRAWN : 11/07/18  
 DRAWN BY : ESS  
 DATE REV. :  
 REV. BY :

REV.  
A

DRAWING  
NUMBER

298-60TX

SHEET  
1 OF 2

**NOTES:**

- 1.) DURING ASSEMBLY PROCEDURE;  
DO NOT COMPLETELY TIGHTEN HARDWARE.
- 2.) THE ACTUAL PARTS WILL NOT BE NUMBERED.  
NUMBERS ONLY APPLY TO DRAWING.
- 3.) UPON COMPLETION OF ASSEMBLY SQUARE  
ALL COMPONENTS THEN TIGHTEN ALL HARDWARE.
- 4.) MOUNT AND ANCHOR AS SPECIFIED.

**TOOLS REQ'D**

- 3/4" WRENCH
- 1/4" ALLEN WRENCH
- 1/2" MASONRY DRILL BIT  
DRILL

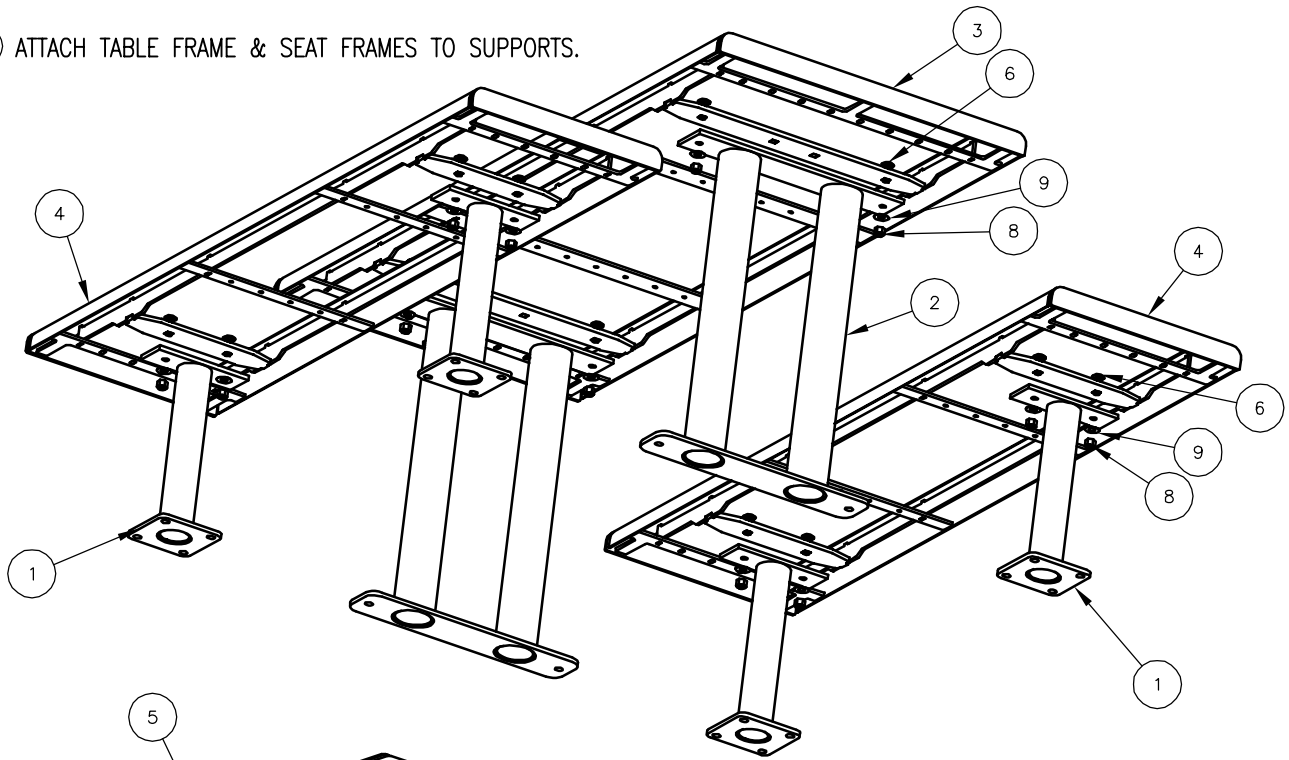
**PARTS LIST**

ITEM	QTY	PART NO	DESCRIPTION
1	4	0-296-00-02/S-2	STL PEDESTAL SEAT SUPPORT, PLATES
2	2	0-298-00-01/S-2	STL TABLE SUPPORT, PLATES
3	1	0-298-60-05	6' STL TABLE FRAME FOR PLASTIC
4	2	0-298-60-06	6' BKLS STL SEAT FRAME FOR PLASTIC
5	16	0-472-60TX-03	2" X 3" X 71" INT'R SLAT, TX
6	12	1-11-042	1/2" X 1 1/2" SS CGE BOLT
7	64	1-13-023	5/16" X 1 1/2" SS BTN SKT HD LAG
8	12	1-20-015	1/2" SS NYLON LOCKNUT
9	12	1-22-015	1/2" SS FLAT WASHER
10	64	1-22-017	5/16" SS FLAT WASHER

**KITS PROVIDED**

ITEM	QTY	PART NO	DESCRIPTION
11	5	K-ANC0860-4	1/2" X 3 3/4" SS ANCHOR KIT (4PC)
12	2	K-BL0524-33	5/16" LAG HARDWARE KIT (33PC)
13	3	K-CG0824-4L	1/2" CGE BOLT HARDWARE KIT (4)

**1 ATTACH TABLE FRAME & SEAT FRAMES TO SUPPORTS.**



**2 ATTACH SLATS TO TABLE FRAME & SEAT FRAMES.**

