

2" X 4" (NOM.) SLATS
(SEE SLAT OPTIONS)
1/4" THK. STL. PLATE W/
1 1/16" Ø ANCHOR HOLE
(3-PLACES)

SLAT OPTIONS

- ANTIQUE MAHOGANY TEXTURED
- BRAZILIAN WALNUT TEXTURED
- OTHER _____

NOTES

- 1.) ALL STL. MEMBERS COATED W/ ZINC RICH EPOXY THEN FINISHED W/ POLYESTER POWDER COATING.
- 2.) 1/2" X 3 3/4" EXPANSION ANCHOR BOLTS PROVIDED.



RECEPTACLE

DATE DRAWN : 11/09/18
DRAWN BY : ESS
DATE REV. :
REV. BY :

REV.
A

DRAWING NUMBER

152-31TX
W/ CVR-20-FTO

SHEET
1 OF 2

NOTES:

- 1.) DURING ASSEMBLY PROCEDURE;
DO NOT COMPLETELY TIGHTEN HARDWARE.
- 2.) THE ACTUAL PARTS WILL NOT BE NUMBERED.
NUMBERS ONLY APPLY TO DRAWING.
- 3.) UPON COMPLETION OF ASSEMBLY SQUARE
ALL COMPONENTS THEN TIGHTEN ALL HARDWARE.
- 4.) MOUNT AND ANCHOR AS SPECIFIED.

TOOLS REQ'D

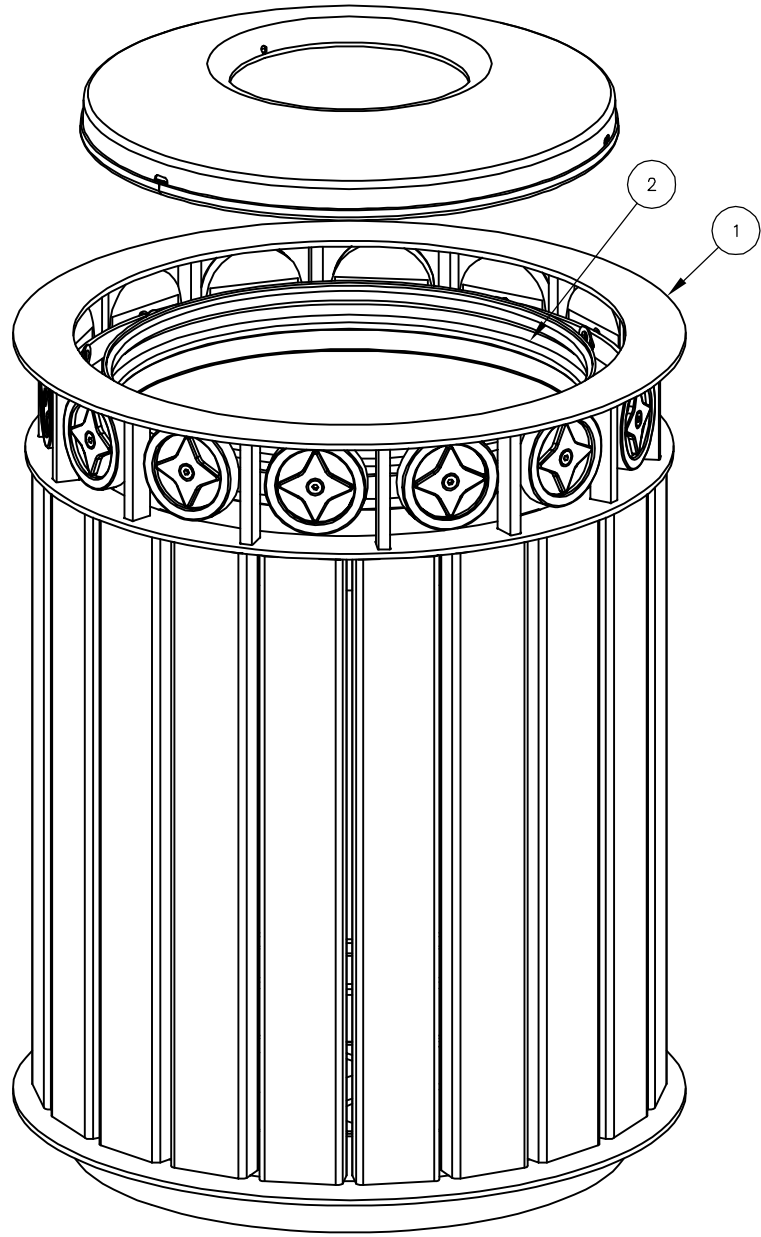
- 3/4" WRENCH
- PLIERS (FOR ATTACHING COVER)
- 1/2" MASONRY DRILL BIT
- DRILL

PARTS LIST

ITEM	QTY	PART NO	DESCRIPTION
1	1	0-152-31TX	31 GAL. RECEPTACLE ASSEMBLY, TX
2	1	49-31	31 GAL. GALV. LINER

KITS PROVIDED

ITEM	QTY	PART NO	DESCRIPTION
3	1	K-ANC0860-3	1/2" X 3 3/4" SS ANCHOR KIT (3PCS)



ASSEMBLY INSTRUCTIONS

DATE DRAWN : 11/09/18
 DRAWN BY : ESS
 DATE REV. :
 REV. BY :

REV. A

DRAWING NUMBER 152-31TX
 W/ CVR-20-FT0

SHEET 2 OF 2