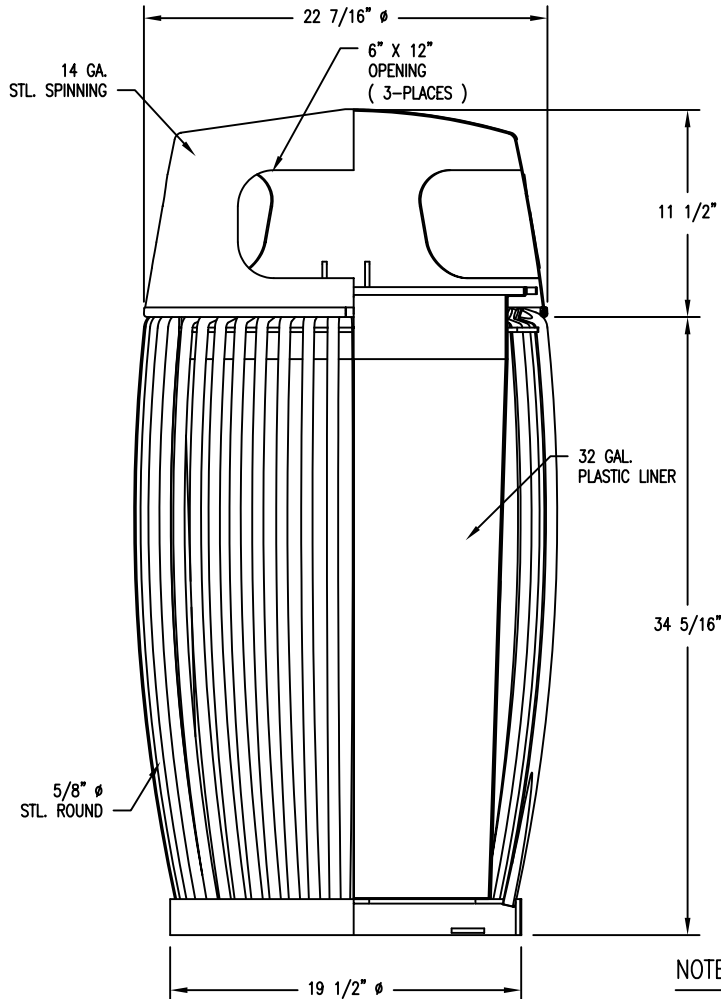
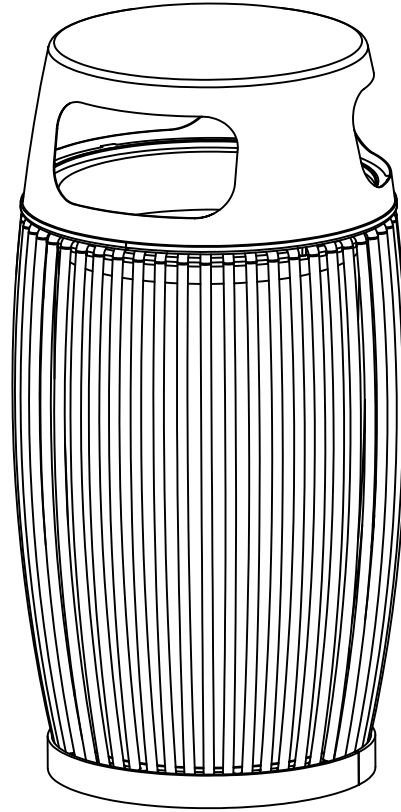


1/2" X 3" S.STL.
BTN. SKT. HD. CAP SCR. W/
WASHER & NYLON LOCKNUT

STL. HINGE

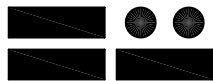
1/4" THK.
STL. PLATE

1/4" X 2" STL.
ANCHOR PLATE W/
11/16" Ø HOLE
(3-PLACES)



NOTES

- 1.) ALL STL. MEMBERS COATED W/ ZINC RICH EPOXY THEN FINISHED W/ POLYESTER POWDER COATING.
- 2.) 1/2" X 3 3/4" EXPANSION ANCHOR BOLTS PROVIDED.



DuMor, inc.

P.O. Box 142 Mifflintown, PA 17059-0142

SCALE : NONE
DATE DRAWN : 08/09/11
DRAWN BY : ESS
DATE REV. :
REV. BY :

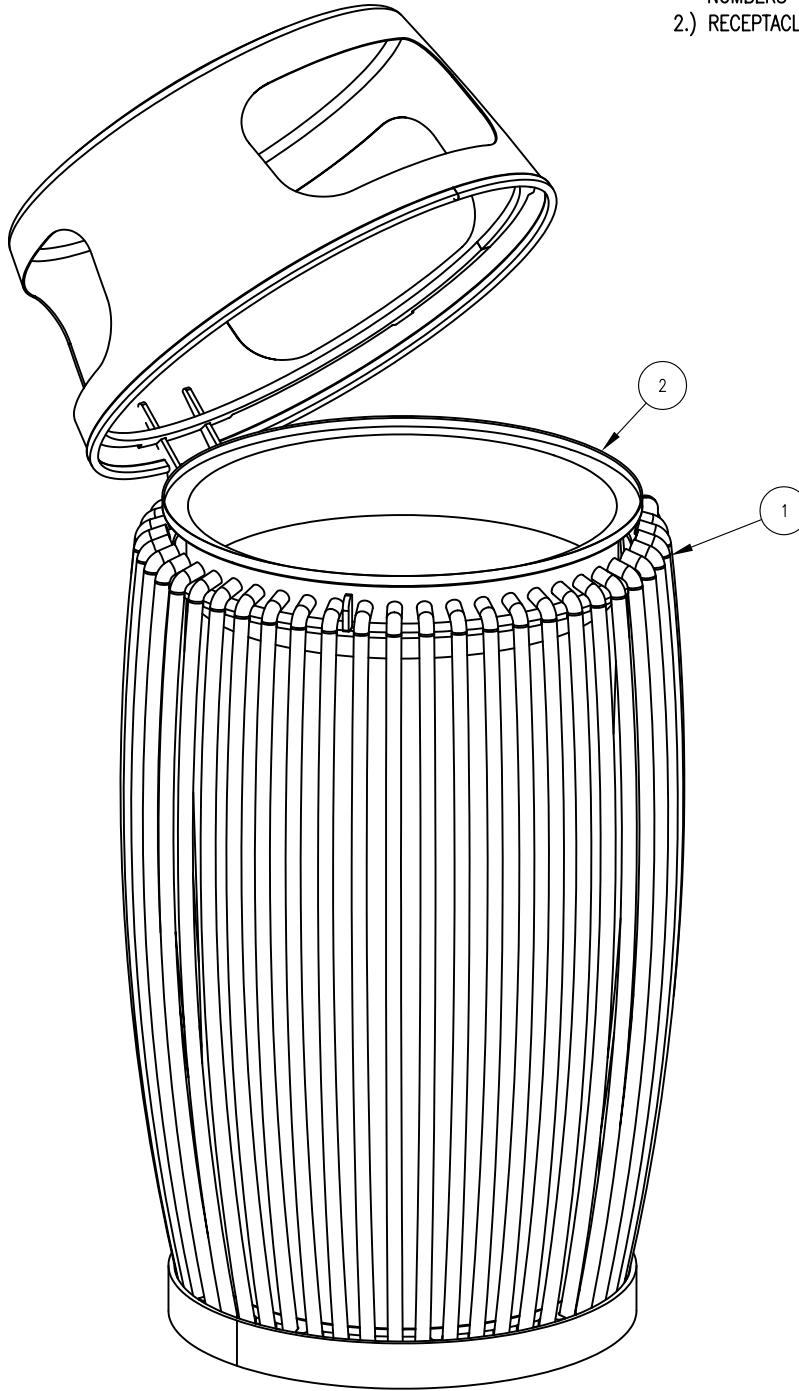
TITLE : RECEPTACLE

REV. A DRAWING NUMBER 428-32-S03

SHEET 1 OF 2

NOTE:

- 1.) THE ACTUAL PARTS WILL NOT BE NUMBERED:
NUMBERS ONLY APPLY TO DRAWING.
- 2.) RECEPTACLE FULLY ASSEMBLED AT FACTORY.



ITEM	QTY	PART NO	DESCRIPTION
1	1	0-428-S03	30 GAL STL RECEPT ASMBLY, (3) SIDE OPENINGS
2	1	5-44-053	32 GAL PLASTIC LINER
3	1	K-ANC0860-3	1/2" X 3 3/4" SS ANCHOR KIT (3PCS)



DuMor, inc.

P.O. Box 142 Mifflintown, PA 17059-0142

SCALE : NONE

DATE DRAWN : 08/09/11

DRAWN BY : ESS

DATE REV. :

REV. BY :

TITLE :

RECEPTACLE

REV.

DRAWING
NUMBER

428-32-S03

A

SHEET
2 OF 2