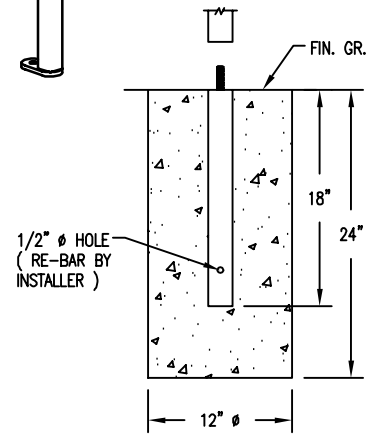
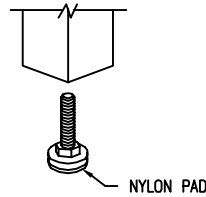
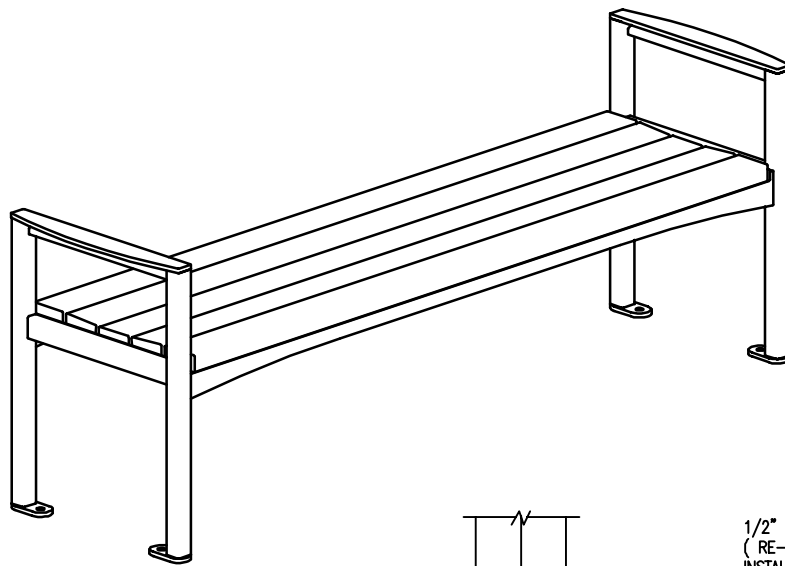


S-2 SURFACE



SLAT OPTIONS

- ANTIQUE MAHOGANY TEXTURED
- BRAZILIAN WALNUT TEXTURED
- OTHER _____

S-5 FREE STANDING

S-1 EMBEDMENT

NOTES:

- 1.) ALL STL. MEMBERS COATED W/ ZINC RICH EPOXY THEN FINISHED W/ POLYESTER POWDER COATING.
- 2.) 1/2" X 3 3/4" EXPANSION ANCHOR BOLTS PROVIDED FOR S-2.



BENCH

DATE DRAWN : 11/05/18
 DRAWN BY : ESS
 DATE REV. : 00/00/00
 REV. BY : XXX

REV.
A

DRAWING
NUMBER

501-60TX

SHEET
1 OF 2

NOTES:

- 1.) DURING ASSEMBLY PROCEDURE;
DO NOT COMPLETELY TIGHTEN HARDWARE.
- 2.) THE ACTUAL PARTS WILL NOT BE NUMBERED.
NUMBERS ONLY APPLY TO DRAWING.
- 3.) UPON COMPLETION OF ASSEMBLY SQUARE
ALL COMPONENTS THEN TIGHTEN ALL HARDWARE.
- 4.) MOUNT AND ANCHOR AS SPECIFIED.

TOOLS REQ'D

- 3/4" WRENCH
- 5/16" NUT DRIVER OR FLAT HEAD DRILL BIT
- 5/16" ALLEN WRENCH
- 1/2" MASONRY DRILL BIT
- DRILL

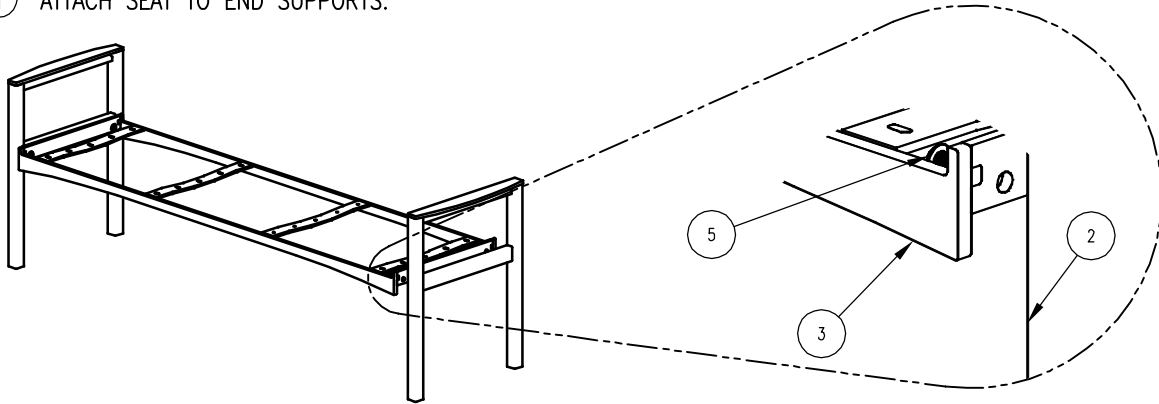
PARTS LIST FOR S-2

ITEM	QTY	PART NO	DESCRIPTION
1	5	0-500-60TX-05	2" X 4" X 67 1/2" SLAT, TX
2	2	0-501-00-01	STL BKLS END SUPPORT W/ ARM
3	1	0-501-60-02	6" STL BKLS SEAT
4	4	0-502-00-06/S-2	SURFACE MOUNT FOOT PAD
5	4	1-12-056	1/2" X 1" SS BTN SKT HD CAP SCR
6	20	1-16-023	#14 X 7/8 SS HX WASH HD 'A' SLTD WD SCREW

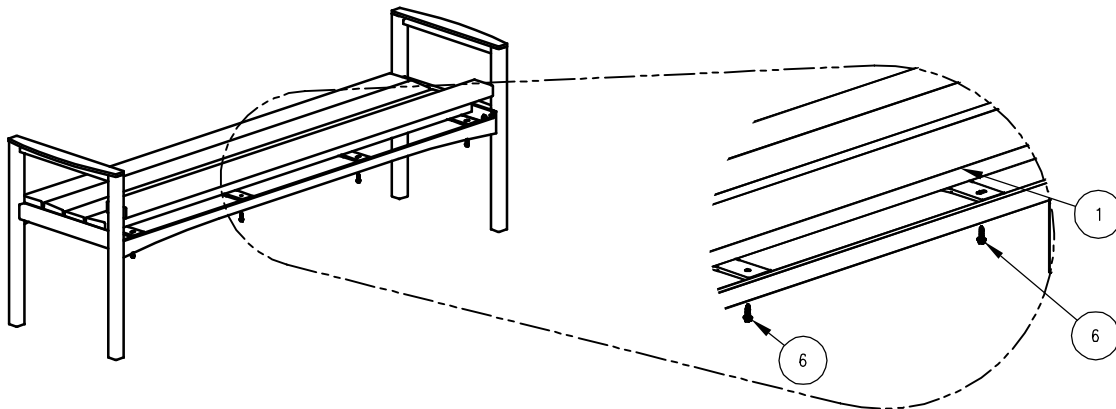
KITS PROVIDED FOR S-2

ITEM	QTY	PART NO	DESCRIPTION
7	1	K-ANCO860-4	1/2" X 3 3/4" SS ANCHOR KIT (4PC)
8	1	K-BCO816-4	1/2" CAP HARDWARE KIT (4PC)
9	1	K-WS1414-20	#14 HEX HD WASH WOOD SCR (20PC)

1 ATTACH SEAT TO END SUPPORTS.



2 ATTACH SLATS TO STEP 1.



3 ATTACH SURFACE MOUNT FOOT TO STEP 2.

