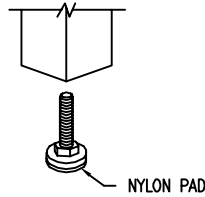
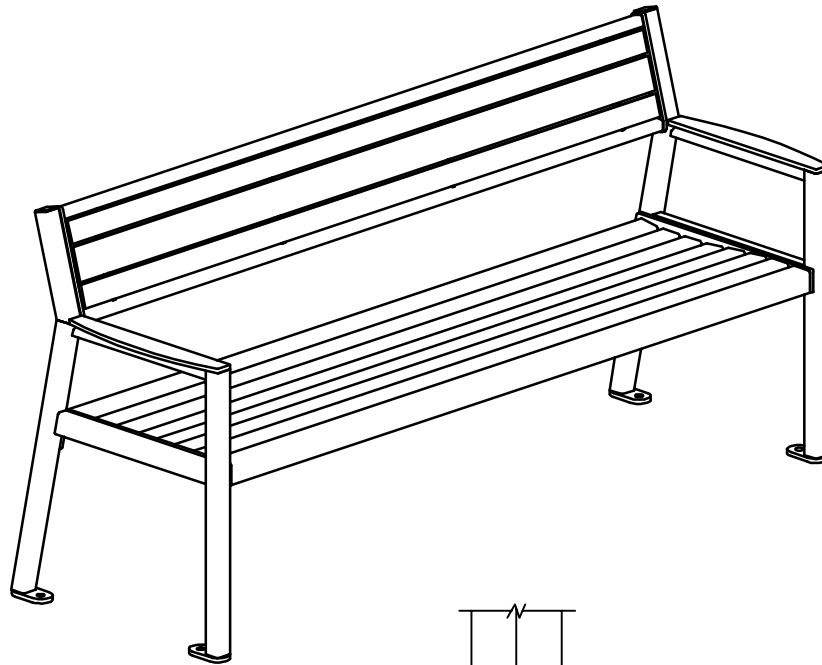
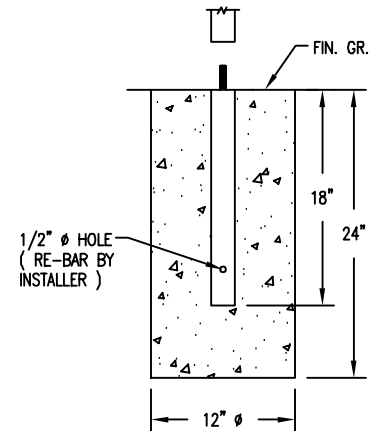


S-2 SURFACE



S-5 FREE STANDING



S-1 EMBEDMENT

NOTES:

- 1.) ALL STL. MEMBERS COATED W/ ZINC RICH EPOXY THEN FINISHED W/ POLYESTER POWDER COATING.
- 2.) 1/2" X 3 3/4" EXPANSION ANCHOR BOLTS PROVIDED FOR S-2.



BENCH

DATE DRAWN : 01/11/18
 DRAWN BY : RDH
 DATE REV. :
 REV. BY :

REV.
A

DRAWING
NUMBER

500-60HS

SHEET
1 OF 2

NOTES:

- 1.) DURING ASSEMBLY PROCEDURE;
DO NOT COMPLETELY TIGHTEN HARDWARE.
- 2.) THE ACTUAL PARTS WILL NOT BE NUMBERED.
NUMBERS ONLY APPLY TO DRAWING.
- 3.) UPON COMPLETION OF ASSEMBLY SQUARE
ALL COMPONENTS THEN TIGHTEN ALL HARDWARE.
- 4.) MOUNT AND ANCHOR AS SPECIFIED.

TOOLS REQ'D

- 3/4" WRENCH
- 5/16" ALLEN WRENCH
- 1/2" MASONRY DRILL BIT
- DRILL

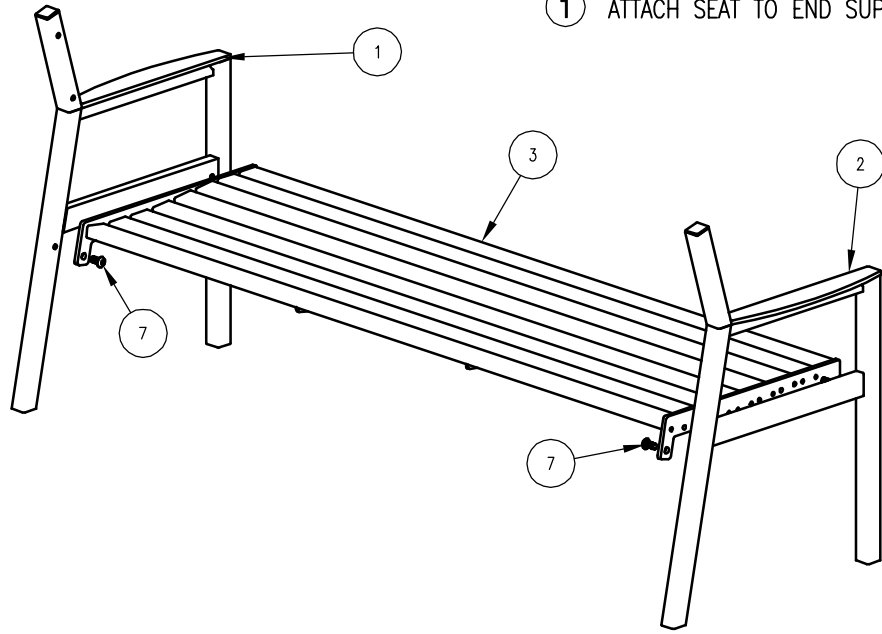
PARTS LIST FOR S-2

ITEM	QTY	PART NO	DESCRIPTION
1	1	0-500-00-01L	STL END SUPPORT - LEFT
2	1	0-500-00-01R	STL END SUPPORT - RIGHT
3	1	0-500-60HS-02	6' STL SEAT, HORIZONTAL STRAPS
4	1	0-500-60HS-03	6' STL BACKREST, HORIZONTAL STRAPS
5	4	0-502-00-06/S-2	SURFACE MOUNT FOOT PAD
6	4	1-12-014	1/2" X 1" SS FLT SKT HD CAP SCR
7	4	1-12-056	1/2" X 1" SS BTN SKT HD CAP SCR

KITS PROVIDED FOR S-2

ITEM	QTY	PART NO	DESCRIPTION
8	1	K-ANCO860-4	1/2" X 3 3/4" SS ANCHOR KIT (4PC)
9	1	K-BCO816-4	1/2" CAP HARDWARE KIT (4PC)
10	1	K-FCO816-4	1/2" CAP HARDWARE KIT (4 PCS)

① ATTACH SEAT TO END SUPPORTS.



**② ATTACH BACKREST TO STEP 1.
ATTACH SURFACE MOUNT FOOT PAD TO STEP 3.**

