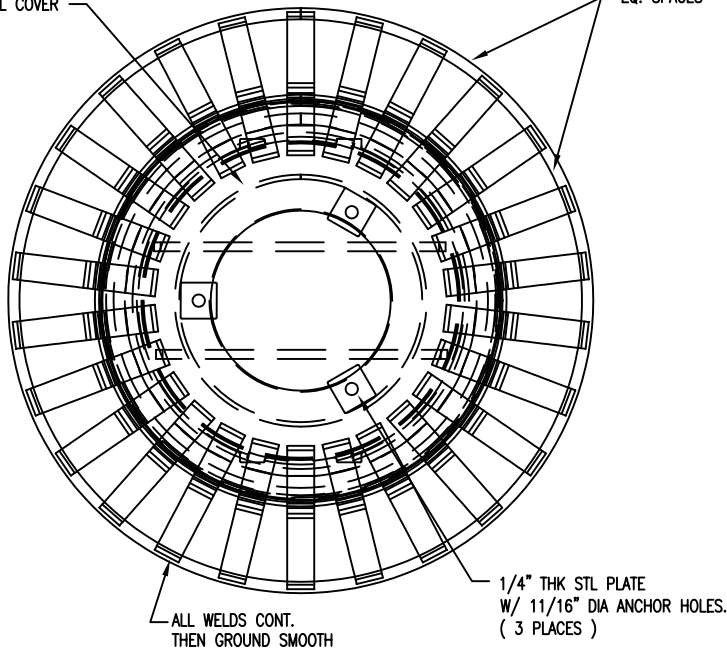


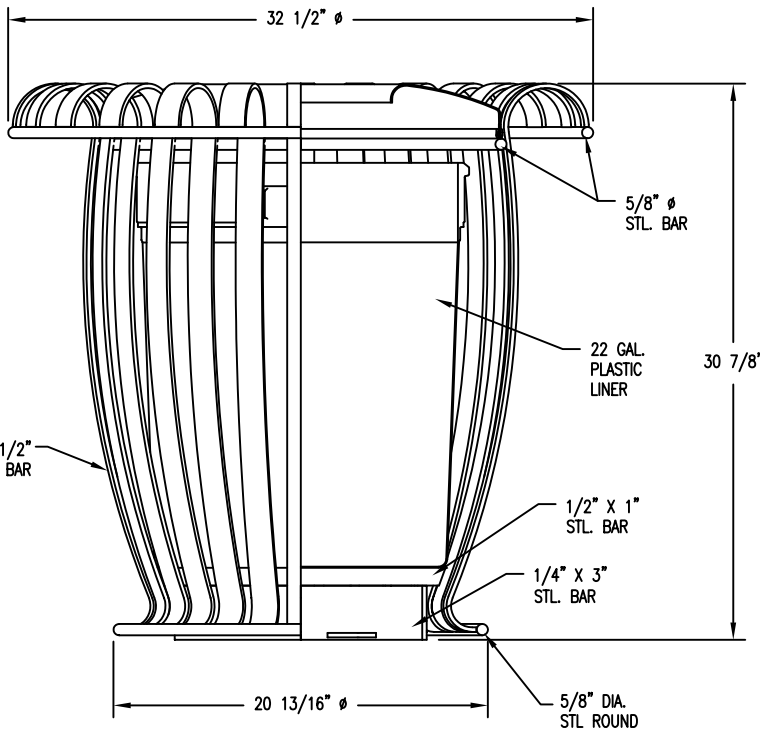
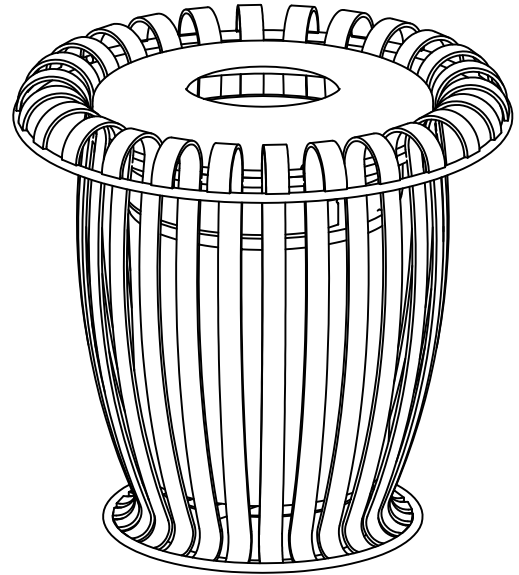
14 GAUGE SPUN
STEEL COVER

EQ. SPACES



ALL WELDS CONT.
THEN GROUND SMOOTH

1/4" THK STL PLATE
W/ 11/16" DIA ANCHOR HOLES.
(3 PLACES)



1/4" X 1 1/2"
STL. BAR

5/8" ϕ
STL. BAR

1/2" X 1"
STL. BAR

1/4" X 3"
STL. BAR

5/8" DIA.
STL. ROUND

NOTES:

- 1.) ALL STL. MEMBERS COATED W/ ZINC RICH EPOXY THEN FINISHED W/ POLYESTER POWDER COATING.
- 2.) 1/2" X 3 3/4" EXPANSION ANCHOR BOLTS PROVIDED.
- 3.) RECEPTACLE FULLY ASSEMBLED AT FACTORY.



DuMor, inc.

P.O. Box 142 Mifflintown, PA 17059-0142

SCALE :

NONE

TITLE :

RECEPTACLE

DATE DRAWN : 10/19/09

DRAWN BY : AWH

DATE REV. :

REV. BY :

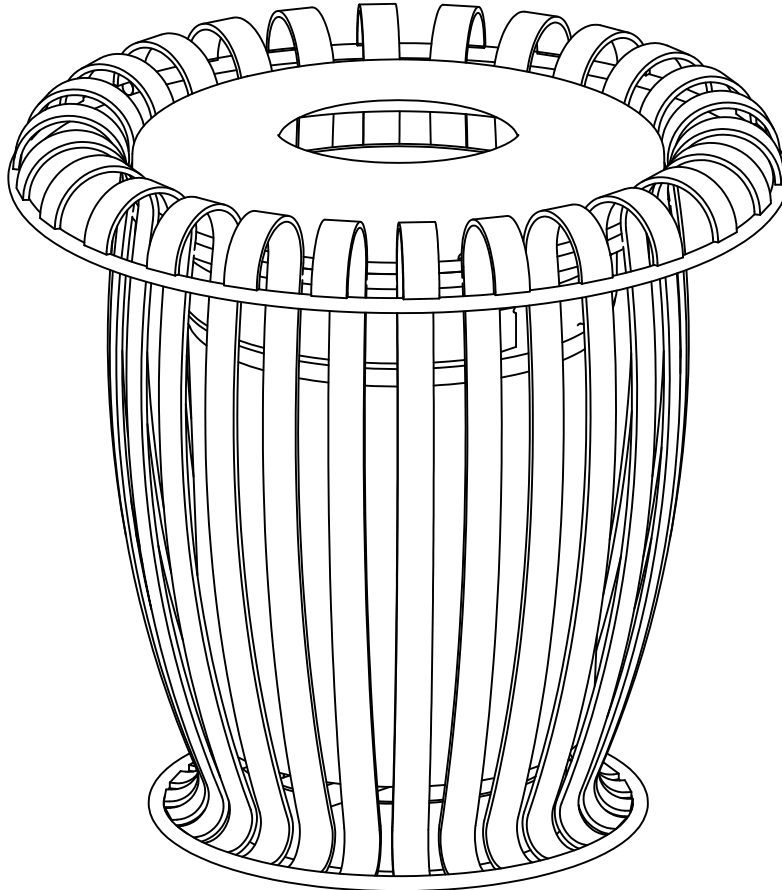
REV.

DRAWING
NUMBER

183-22-FTO

A

SHEET
1 OF 2



NOTE:

- 1.) RECEPTACLE SHIPPED FULLY ASSEMBLED.
- 2.) COVER ATTACHED W/ 1/8" VINYL COATED CABLE.
- 3.) MOUNT AND ANCHOR AS SPECIFIED.



DuMor, inc.

P.O. Box 142 Mifflintown, PA 17059-0142

SCALE :	NONE
DATE DRAWN :	10/19/09
DRAWN BY :	AWH
DATE REV. :	
REV. BY :	

TITLE :	RECEPTACLE ASSEMBLY
---------	---------------------

REV.	A
------	---

DRAWING NUMBER	183-22-FT0
----------------	------------

SHEET	2 OF 2
-------	--------