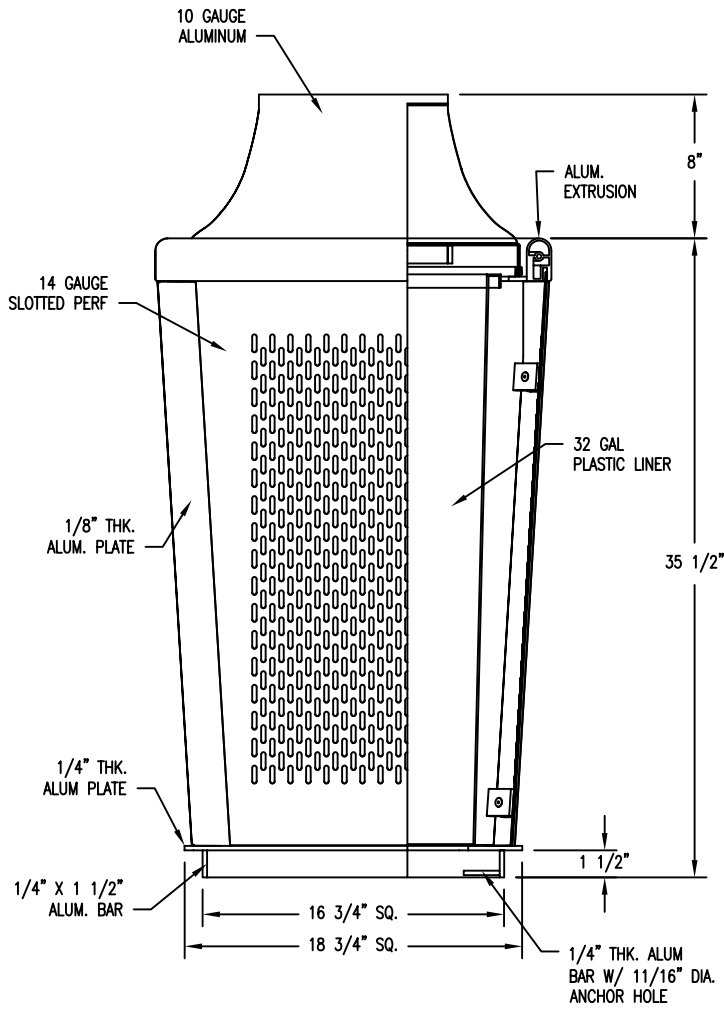
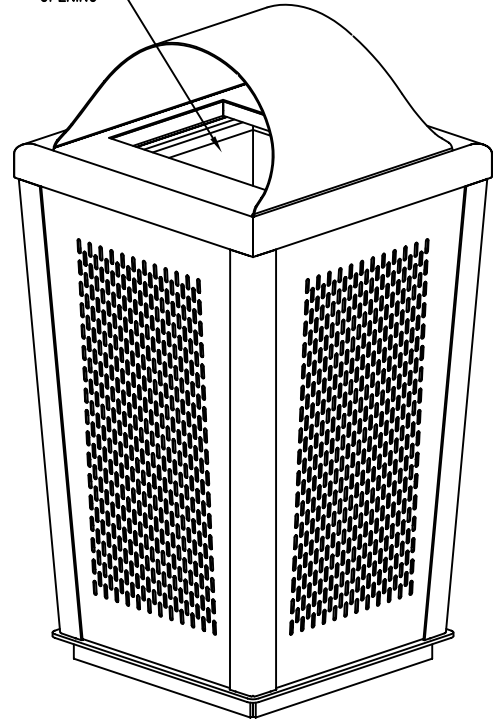


10 1/2" X 16"
OPENING



NOTES:

- 1.) ALL ALUM & STL. MEMBERS COATED W/ ZINC RICH EPOXY THEN FINISHED W/ POLYESTER POWDER COATING.
- 2.) 1/2" X 3 3/4" EXPANSION ANCHOR BOLTS PROVIDED.
- 3.) RECEPTACLE FULLY ASSEMBLED AT FACTORY.



DuMor, inc.
P.O. Box 142 Mifflintown, PA 17059-0142

SCALE : NONE

DATE DRAWN : 10/23/09

DRAWN BY : AWH

DATE REV. :

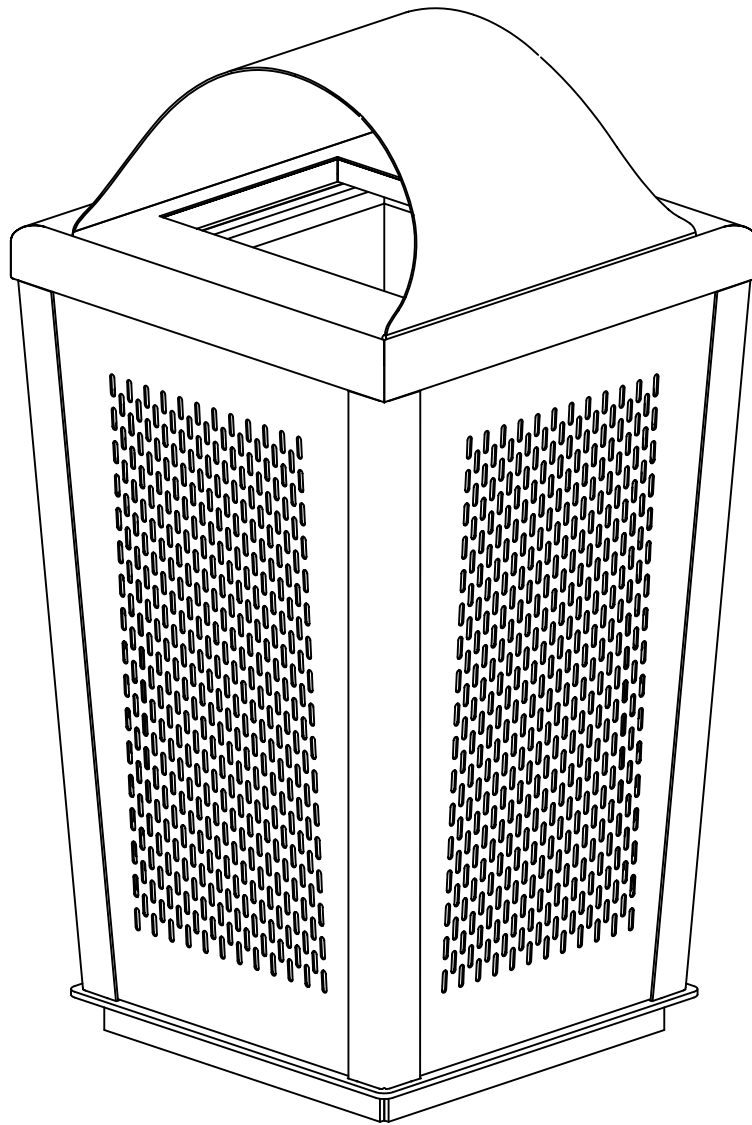
REV. BY :

TITLE : RECEPTACLE

REV. A

DRAWING NUMBER 182-32

SHEET 1 OF 2



NOTE:

- 1.) RECEPTACLE SHIPPED FULLY ASSEMBLED.
- 2.) COVER ATTACHED W/ 1/8" VINYL COATED CABLE.
- 3.) MOUNT AND ANCHOR AS SPECIFIED.



DuMor, inc.

P.O. Box 142 Mifflintown, PA 17059-0142

SCALE :	NONE
DATE DRAWN :	10/23/09
DRAWN BY :	AWH
DATE REV. :	
REV. BY :	

TITLE :	RECEPTACLE ASSEMBLY
---------	---------------------

REV.	A
------	---

DRAWING NUMBER	182-32
----------------	--------

SHEET	2 OF 2
-------	--------