

**NOTES**

- 1.) ALL STL. MEMBERS COATED W/ ZINC RICH EPOXY THEN FINISHED W/ POLYESTER POWDER COATING.
- 2.) 1/2" X 3 3/4" EXPANSION ANCHOR BOLTS PROVIDED.

**SLAT OPTIONS**

- "CEDAR" RECYCLED PLASTIC
- "GREY" RECYCLED PLASTIC
- "GREEN" RECYCLED PLASTIC
- "REDWOOD" RECYCLED PLASTIC
- "WALNUT" RECYCLED PLASTIC
- OTHER \_\_\_\_\_

  
**DuMor, inc.**  
 P.O. Box 142 Mifflintown, PA 17059-0142

SCALE : NONE  
 DATE DRAWN : 11/15/10  
 DRAWN BY : JSB  
 DATE REV. :  
 REV. BY :

TITLE : BENCH

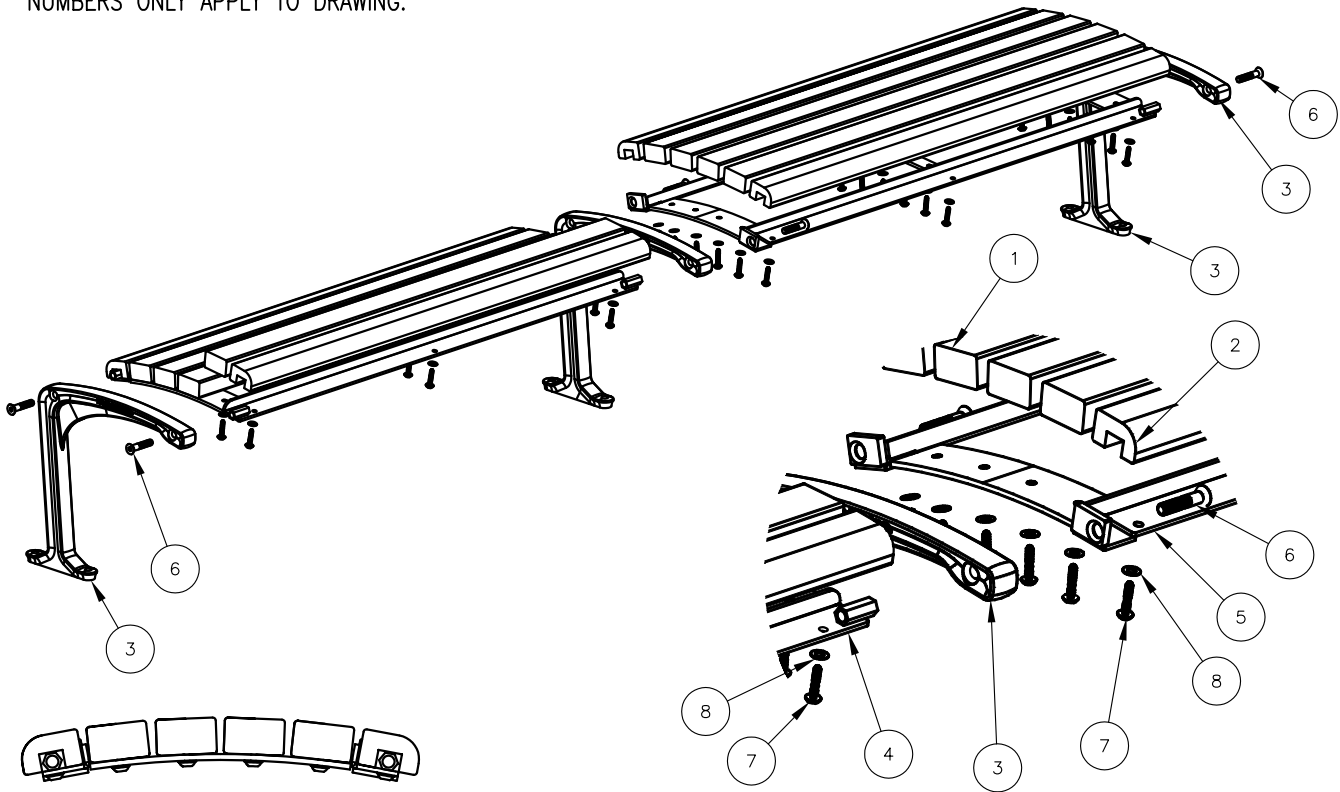
REV. A

DRAWING NUMBER 186-80PL

SHEET 1 OF 2

**NOTE:**

- 1.) DURING ASSEMBLY PROCEDURE;  
DO NOT COMPLETELY TIGHTEN HARDWARE.
- 2.) THE ACTUAL PARTS WILL NOT BE NUMBERED;  
NUMBERS ONLY APPLY TO DRAWING.



**STEP 1:**

USE 1 - PC. BKLS BENCH SUPPORT ( 3 )  
 1 - PC. 4' BKLS BENCH FRAME ( 4 )  
 2 - PCS. 1/2" X 2 1/2" FLT. SKT. HD. CAP SCR. ( 6 )  
 ATTACH BKLS BENCH SUPPORT ( 3 ) TO 4' BKLS BENCH  
 FRAME ( 4 ) USING HARDWARE ( 6 ). TIGHTEN TO SNUG FIT.

**STEP 2:**

USE 1 - PC. BKLS BENCH SUPPORT ( 3 )  
 1 - PC. 4' BKLS LEFT BENCH FRAME ( 5 )  
 2 - PCS. 1/2" X 2 1/2" FLT. SKT. HD. CAP SCR. ( 6 )  
 ATTACH BKLS BENCH SUPPORT ( 3 ) TO 4' BKLS LEFT BENCH  
 FRAME ( 5 ) USING HARDWARE ( 6 ). TIGHTEN TO SNUG FIT.

**STEP 3:**

USE 1 - PC. BKLS BENCH SUPPORT ( 3 )  
 2 - PCS. 1/2" X 2 1/2" FLT. SKT. HD. CAP SCR. ( 6 )  
 ATTACH BKLS BENCH SUPT ( 3 ) TO STEP 1 & 2 ASSEMBLY  
 USING HARDWARE ( 6 ). TIGHTEN TO SNUG FIT.

**STEP 4:**

USE 8 - PCS. 2" X 3" X 47" PLASTIC SLAT ( 1 )  
 4 - PCS. 47" PLASTIC EDGE SLAT ( 2 )  
 36 - PCS. 5/16" X 1 1/2" SS. BTN. SKT. HD. LAG ( 7 )  
 36 - PCS. 5/16" SS. FLAT WASHER ( 8 )  
 ATTACH PLASTIC SLATS ( 1 & 2 ) TO STEP 3 ASSEMBLY  
 USING HARDWARE ( 7 & 8 ). TIGHTEN TO SNUG FIT.

**STEP 5:**

UPON COMPLETION OF BENCH ASSEMBLY SQUARE ALL  
 COMPONENTS THEN TIGHTEN ALL HARDWARE.

**STEP 6:**

MOUNT AND ANCHOR AS SPECIFIED.

ITEM	QTY	PART NO	DESCRIPTION
1	8	0-143-40PL-01	2" X 3" X 47" INTERIOR PLASTIC SLAT
2	4	0-185-40PL-05	47" EDGE SLAT, PLASTIC
3	3	0-186-00-01	BKLS BENCH SUPT
4	1	0-186-40-02	4' BKLS BENCH FRAME
5	1	0-186-40-06	4' BKLS LEFT BENCH FRAME
6	6	1-12-065	1/2" X 2 1/2" FLT SKT HD CAP SCR
7	36	1-13-023	5/16" X 1 1/2" SS BTN SKT HD LAG
8	36	1-22-017	5/16" SS FLAT WASHER



SCALE : NONE  
 DATE DRAWN : 11/15/10  
 DRAWN BY : JSB  
 DATE REV. :  
 REV. BY :

TITLE : BENCH ASSEMBLY  
 REV. A  
 DRAWING NUMBER 186-80PL  
 SHEET 2 OF 2