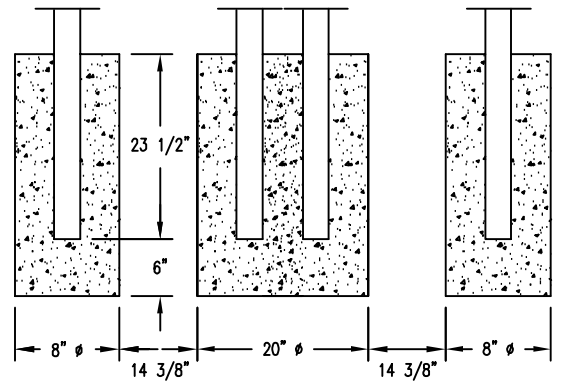
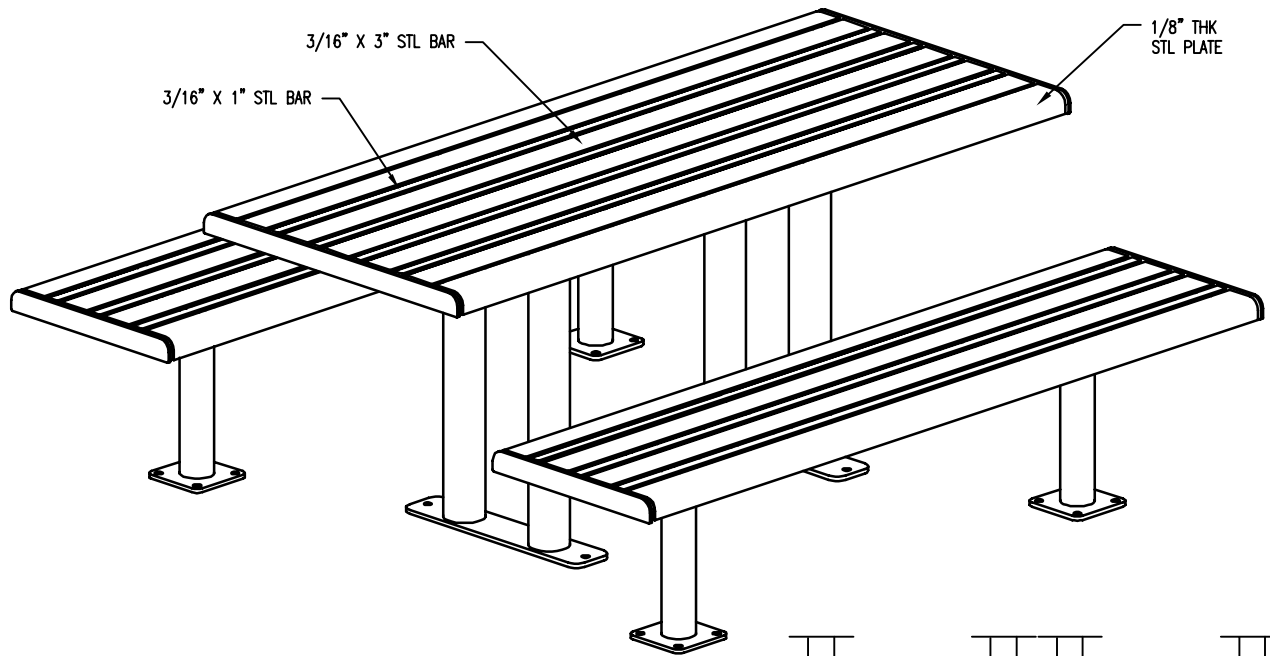


□ S-2 SURFACE



□ S-1 EMBEDMENT

NOTES

- 1.) ALL STL. MEMBERS COATED W/ ZINC RICH EPOXY THEN FINISHED W/ POLYESTER POWDER COATING.
- 2.) 1/2" X 3 3/4" EXPANSION ANCHOR BOLTS PROVIDED FOR S-2 SURFACE MOUNT.



TABLE

DATE DRAWN : 11/09/17  
 DRAWN BY : RDH  
 DATE REV. :  
 REV. BY :

REV.  
A

DRAWING NUMBER

298-60-2HS

SHEET  
1 OF 2

**NOTES:**

- 1.) DURING ASSEMBLY PROCEDURE;  
DO NOT COMPLETELY TIGHTEN HARDWARE.
- 2.) THE ACTUAL PARTS WILL NOT BE NUMBERED.  
NUMBERS ONLY APPLY TO DRAWING.
- 3.) UPON COMPLETION OF ASSEMBLY SQUARE  
ALL COMPONENTS THEN TIGHTEN ALL HARDWARE.
- 4.) MOUNT AND ANCHOR AS SPECIFIED.

**TOOLS REQ'D**

- 3/4" WRENCH
- 1/2" MASONRY DRILL BIT  
DRILL

**PARTS LIST**

ITEM	QTY	PART NO	DESCRIPTION
1	4	0-296-00-02/S-2	STL PEDESTAL SEAT SUPPORT, PLATES
2	2	0-298-00-01/S-2	STL TABLE SUPPORT, PLATES
3	2	0-298-60HS-04	6" STL SEAT
4	1	0-298-60HS-2-03	6' STL ACCESSIBLE TABLE TOP, BOTH ENDS
5	12	1-11-042	1/2" X 1 1/2" SS CGE BOLT
6	12	1-20-015	1/2" SS NYLON LOCKNUT
7	12	1-22-015	1/2" SS FLAT WASHER

**KITS PROVIDED**

ITEM	QTY	PART NO	DESCRIPTION
8	5	K-ANC0860-4	1/2" X 3 3/4" SS ANCHOR KIT (4PC)
9	3	K-CG0824-4L	1/2" CGE BOLT HARDWARE KIT (4)

① ATTACH TABLE TOP & SEATS TO SUPPORTS.

