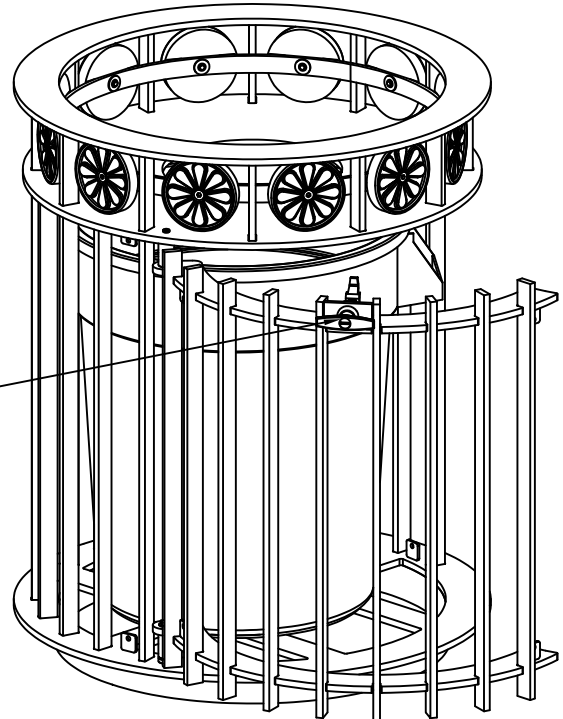
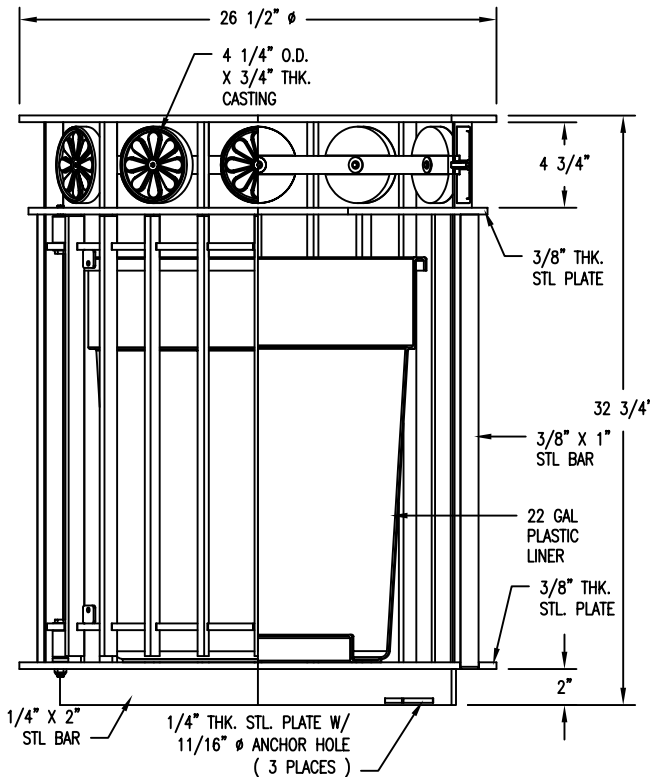


10" ϕ
OPENING

3/8" THK. STL.
COVER PLATE

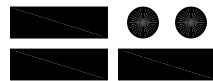


LATCHING
DEVICE



NOTES:

- 1.) ALL STL. MEMBERS COATED W/ ZINC RICH EPOXY THEN FINISHED W/ POLYESTER POWDER COATING.
- 2.) 1/2" X 3 3/4" EXPANSION ANCHOR BOLTS PROVIDED.
- 3.) SIDE OF RECEPTACLE HINGES OPEN FOR REMOVAL OF LINER.
- 4.) LATCH PROVIDED W/ KEY, USE OF KEY OPTIONAL.
- 5.) RECEPTACLE FULLY ASSEMBLED AT FACTORY.



DuMor, inc.

P.O. Box 142 Mifflintown, PA 17059-0142

SCALE : NONE

DATE DRAWN : 8/11/99

DRAWN BY : HD

DATE REV. : 12/17/09

REV. BY : AWH

TITLE :

RECEPTACLE

REV.

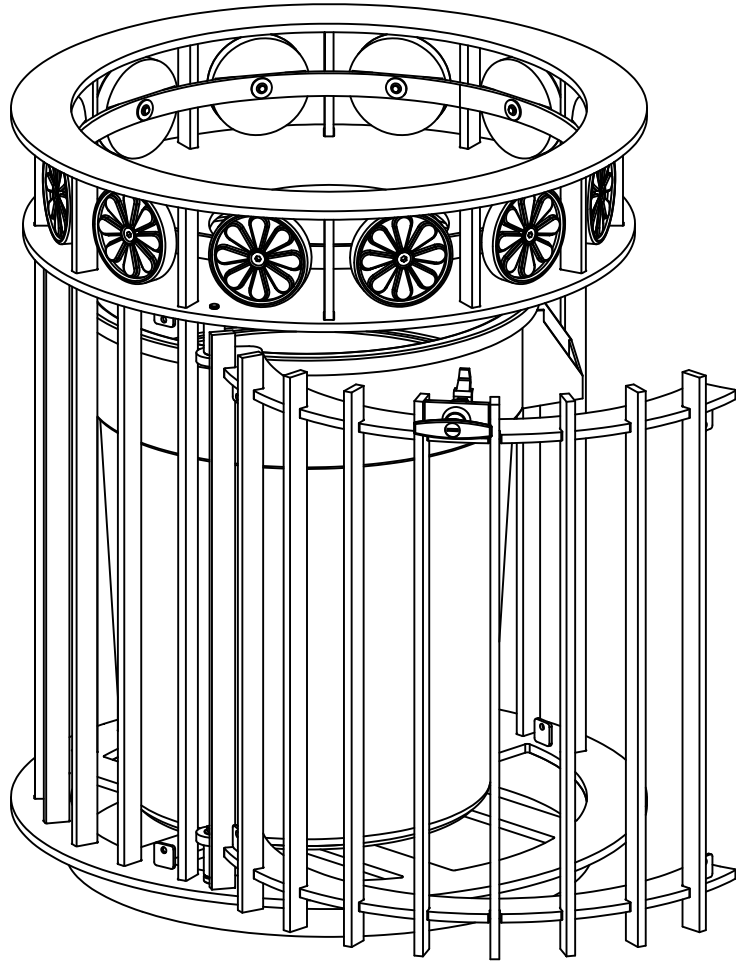
G

DRAWING
NUMBER

102-22-FTO

SHEET

1 OF 2



NOTE:

- 1.) RECEPTACLE SHIPPED FULLY ASSEMBLED.
- 2.) MOUNT AND ANCHOR AS SPECIFIED.



DuMor, inc.

P.O. Box 142 Mifflintown, PA 17059-0142

SCALE :	NONE
DATE DRAWN :	12/4/00
DRAWN BY :	AWH
DATE REV. :	12/17/09
REV. BY :	AWH

TITLE :	RECEPTACLE ASSEMBLY	
REV.	DRAWING NUMBER	
G	102-22-FTO	
		SHEET 2 OF 2