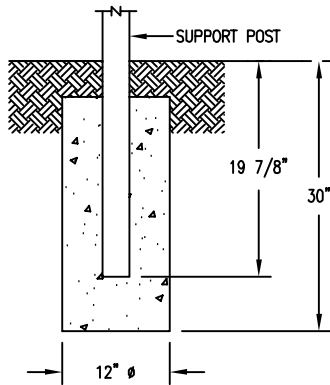
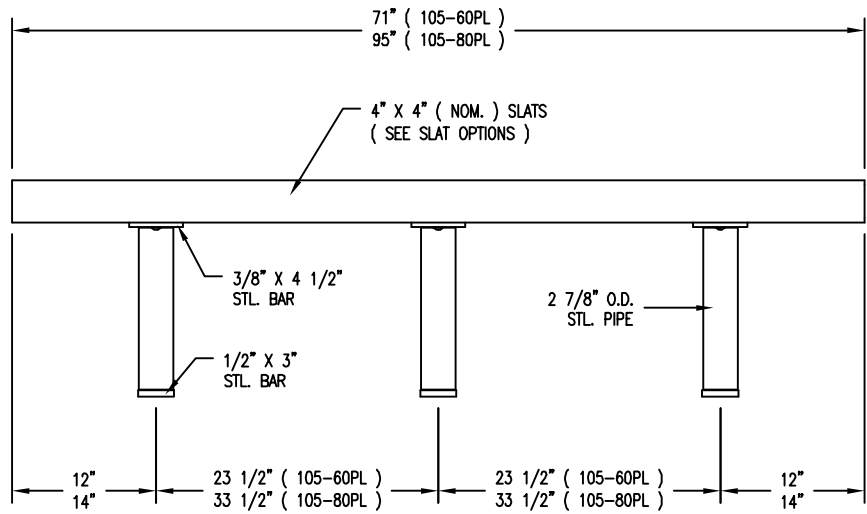
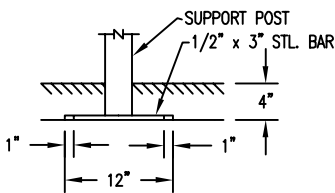


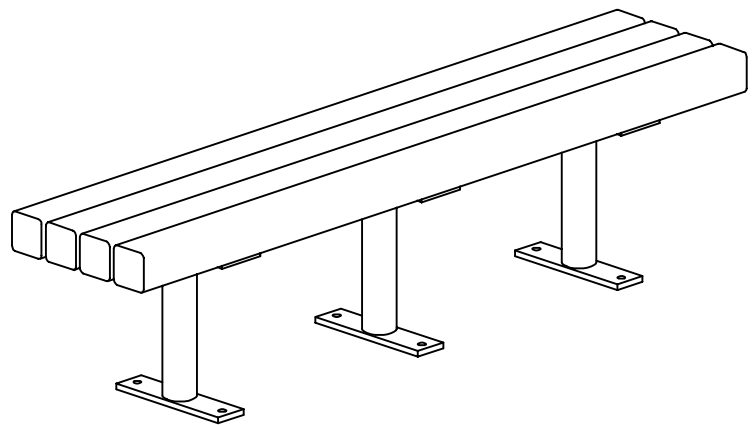
S-2 SURFACE



S-1 EMBEDMENT



S-4 SUB FLOOR



LENGTH OPTIONS

- 6' BENCH
- 8' BENCH

SLAT OPTIONS

- "CEDAR" RECYCLED PLASTIC
- "GREY" RECYCLED PLASTIC
- "REDWOOD" RECYCLED PLASTIC
- "WALNUT" RECYCLED PLASTIC
- OTHER \_\_\_\_\_

NOTES

- 1.) ALL STL. MEMBERS COATED W/ ZINC RICH EPOXY THEN FINISHED W/ POLYESTER POWDER COATING.
- 2.) 1/2" X 3 3/4" EXPANSION ANCHOR BOLTS PROVIDED FOR S-2 & S-4 OPTIONS.



BENCH

DATE DRAWN : 12/12/96  
 DRAWN BY : AH  
 DATE REV. : 10/26/11  
 REV. BY : JSB

REV.  
E

DRAWING  
NUMBER

105 SERIES PL

SHEET  
1 OF 2

PARTS LIST FOR S-2

ITEM	QTY	PART NO	DESCRIPTION
1	3	0-105-00-01/S-2	SUPPORT FOR SURFACE MOUNT
2	4	0-11-60PL-02	4" X 4" X 71" SLAT, PLASTIC
3	12	1-13-016	3/8" X 2" SS BTN SKT HD LAG SCR
4	12	1-22-024	3/8" SS FLAT WASHER

NOTES:

- 1.) DURING ASSEMBLY PROCEDURE;  
DO NOT COMPLETELY TIGHTEN HARDWARE.
- 2.) THE ACTUAL PARTS WILL NOT BE NUMBERED.  
NUMBERS ONLY APPLY TO DRAWING.
- 3.) UPON COMPLETION OF ASSEMBLY SQUARE  
ALL COMPONENTS THEN TIGHTEN ALL HARDWARE.
- 4.) MOUNT AND ANCHOR AS SPECIFIED.

TOOLS REQ'D

- 3/4" WRENCH  
1/4" ALLEN WRENCH  
1/2" MASONRY DRILL BIT  
DRILL

KITS PROVIDED FOR S-2

ITEM	QTY	PART NO	DESCRIPTION
5	1	K-BL0632-12	3/8" LAG HARDWARE KIT (12PC)
6	2	K-ANCO860-3	1/2" X 3 3/4" SS ANCHOR KIT (3PCS)

① ATTACH SLATS TO SUPPORTS.

