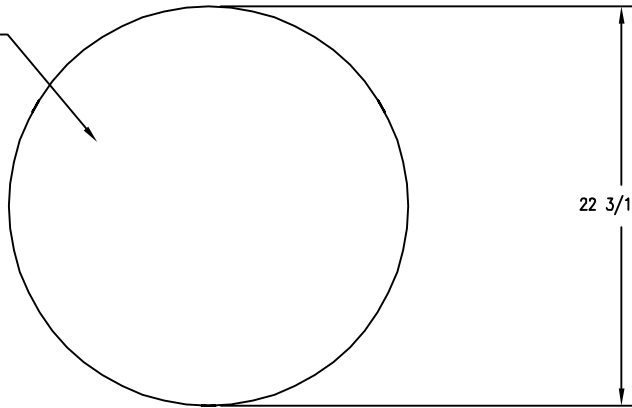
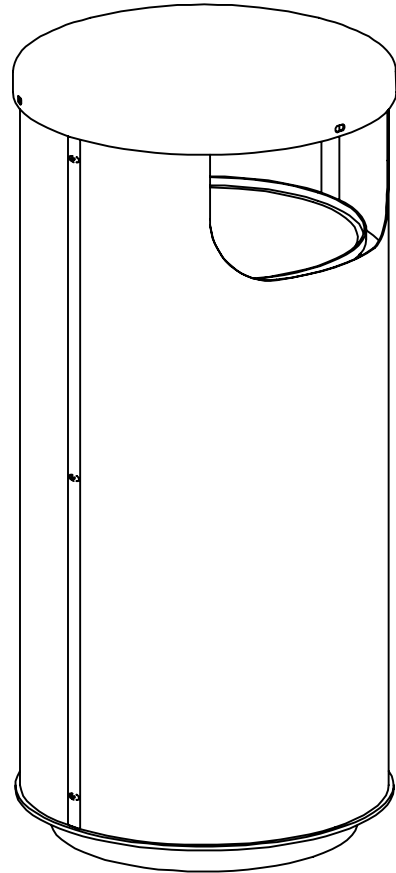


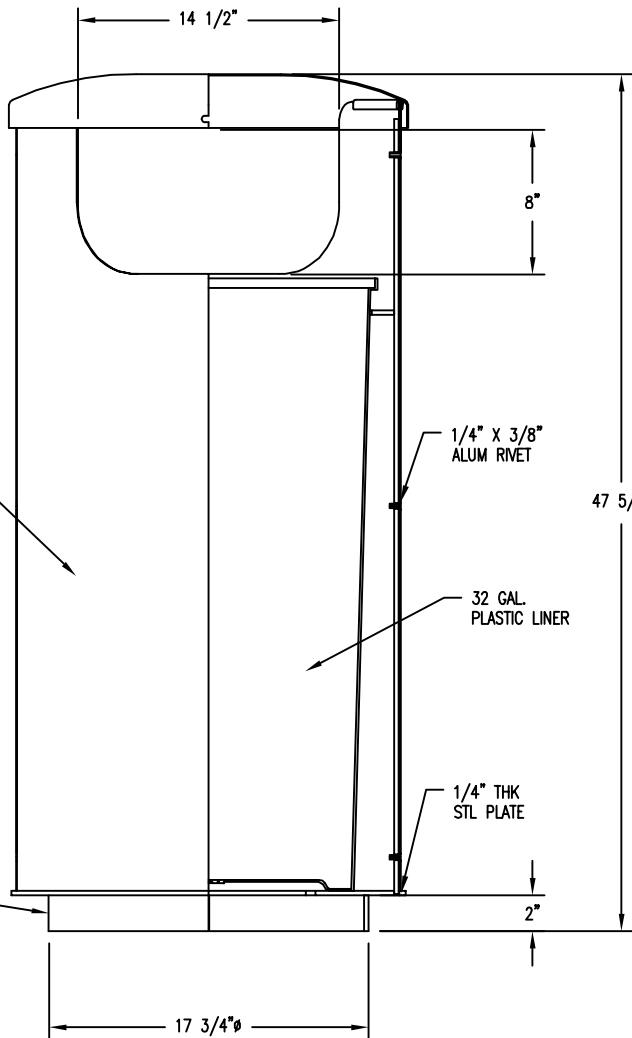
14 GA
SPUN STL COVER



22 3/16" ϕ



14 1/2"



8"

47 5/8"

14 GA.
STL PLATE

1/4" X 3/8"
ALUM RIVET

32 GAL.
PLASTIC LINER

1/4" THK
STL PLATE

1/4" X 2"
STL BAR

2"

17 3/4" ϕ

NOTES:

- 1.) ALL STL. MEMBERS COATED W/ ZINC RICH EPOXY THEN FINISHED W/ POLYESTER POWDER COATING.
- 2.) 1/2" X 3 3/4" EXPANSION ANCHOR BOLTS PROVIDED.



RECEPTACLE

DATE DRAWN : 10/28/14
DRAWN BY : RDH
DATE REV. : 3/22/17
REV. BY : JSB

REV.
B

DRAWING
NUMBER

272-32-S0
W/ CVN-20-FTC

SHEET
1 OF 2

PARTS LIST

ITEM	QTY	PART NO	DESCRIPTION
1	1	0-272-30S0	30 GAL STL RECEPT ASSEMBLY, SIDE OPENING
2	1	49-32T	32 GAL PLASTIC LINER

KITS PROVIDED

ITEM	QTY	PART NO	DESCRIPTION
3	1	K-ANCO860-3	1/2" X 3 3/4" SS ANCHOR KIT (3PCS)

NOTES:

- 1.) THE ACTUAL PARTS WILL NOT BE NUMBERED. NUMBERS ONLY APPLY TO DRAWING.
- 2.) MOUNT AND ANCHOR AS SPECIFIED.

TOOLS REQ'D

- 3/4" WRENCH
 PLIERS (FOR ATTACHING COVER)
 1/2" MASONRY DRILL BIT
 DRILL

1

