

FINISH OPTIONS:

- ALL STL. MEMBERS COATED W/ ZINC RICH EPOXY THEN FINISHED W/ POLYESTER POWDER COATING.
- HOT DIP GALV. AFTER FABRICATION.

NOTE:

1.) 1/2" X 3 3/4" EXPANSION ANCHORS PROVIDED.

NOTES:

- 1.) DURING ASSEMBLY PROCEDURE;
DO NOT COMPLETELY TIGHTEN HARDWARE.
- 2.) THE ACTUAL PARTS WILL NOT BE NUMBERED.
NUMBERS ONLY APPLY TO DRAWING.
- 3.) UPON COMPLETION OF ASSEMBLY SQUARE
ALL COMPONENTS THEN TIGHTEN ALL HARDWARE.
- 4.) MOUNT AND ANCHOR AS SPECIFIED.

TOOLS REQ'D

- 3/4" WRENCH
- 1/2" WRENCH
- 1/2" MASONRY DRILL BIT
DRILL

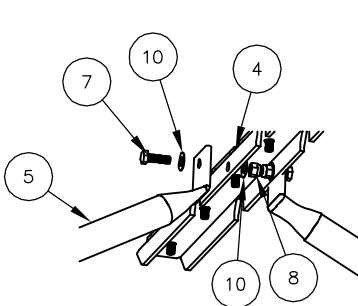
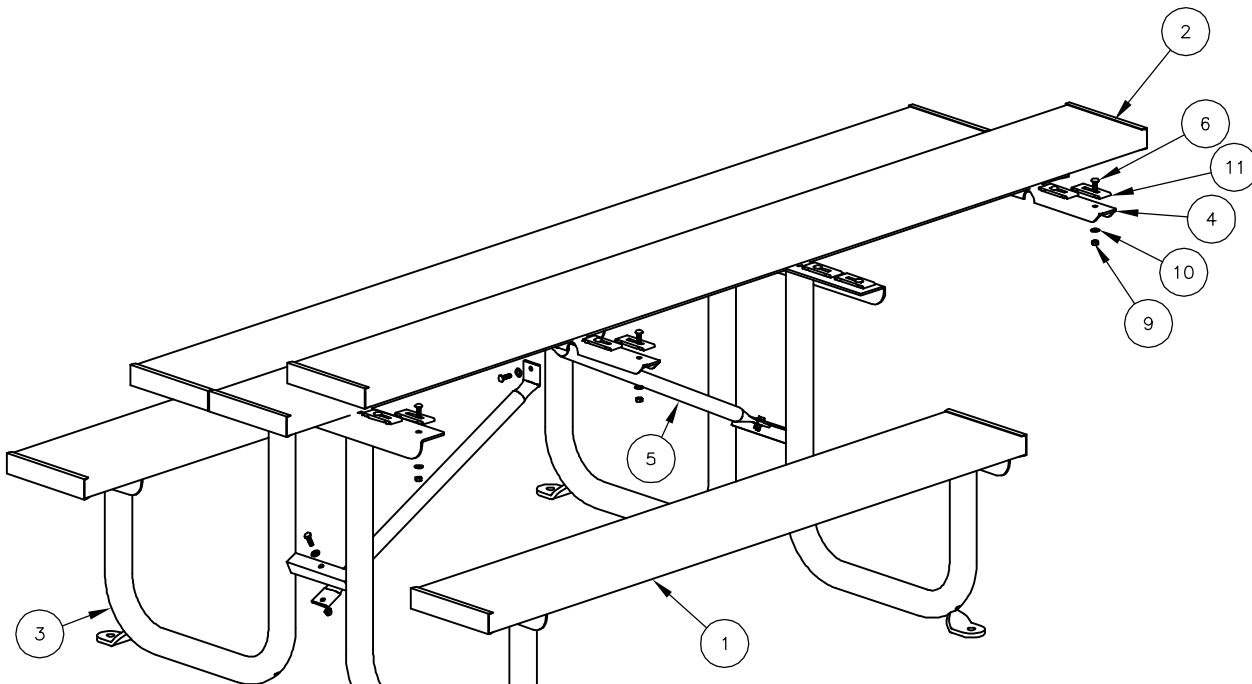
PARTS LIST

ITEM	QTY	PART NO	DESCRIPTION
1	2	0-71-68-1A	2" X 10" X 66" ALUMINUM PLANK
2	3	0-71-80A	2" X 10" X 8' ALUM. PLANK ASSEMBLY
3	2	0-77-00-01	END SUPPORT FRAME
4	2	0-77-00-03	CENTER/END CHANNEL
5	2	0-77-60-02	DIAGONAL BRACE FOR 6' TABLE
6	32	1-11-032	5/16" X 1" SS CGE BOLT
7	4	1-12-061	5/16" X 1" SS HEX HD CAP SCR
8	4	1-20-016	5/16" SS NYLON LOCKNUT
9	32	1-21-015	5/16" SS HEX NUT
10	40	1-22-017	5/16" SS FLAT WASHER
11	32	5-48-702	ALUMINUM CLIP

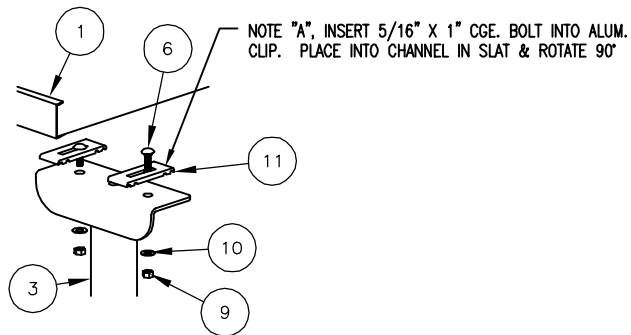
KITS PROVIDED

ITEM	QTY	PART NO	DESCRIPTION
12	1	K-77A	77A HARDWARE KIT
13	1	K-ALUMCLIP-32	ALUMINUM CLIP, 32 PCS
14	1	K-ANCO860-4	1/2" X 3 3/4" SS ANCHOR KIT (4PC)

- 1** ATTACH SLATS TO SUPPORTS (SEE NOTE "A").
ATTACH CENTER CHANNEL. ATTACH END CHANNEL.
ATTACH DIAGONAL BRACES.



DETAIL B



DETAIL A