

LENGTH OPTIONS

- 6' TABLE
- 8' TABLE

WOOD OPTIONS

- 'C' & BTR. DOUGLAS FIR KD S4S EE
- OTHER _____

FINISH OPTIONS:

- ALL STL. MEMBERS COATED W/ ZINC RICH EPOXY THEN FINISHED W/ POLYESTER POWDER COATING.
- HOT DIP GALV. AFTER FABRICATION.

NOTES

1.) 1/2" X 3 3/4" EXPANSION ANCHOR BOLTS PROVIDED.



PICNIC TABLE

DATE DRAWN : 03/22/94
 DRAWN BY : AWH
 DATE REV. : 10/18/16
 REV. BY : ESS

REV.
G

DRAWING NUMBER

77 SERIES

SHEET
1 OF 2

NOTES:

- 1.) DURING ASSEMBLY PROCEDURE;
DO NOT COMPLETELY TIGHTEN HARDWARE.
- 2.) THE ACTUAL PARTS WILL NOT BE NUMBERED.
NUMBERS ONLY APPLY TO DRAWING.
- 3.) UPON COMPLETION OF ASSEMBLY SQUARE
ALL COMPONENTS THEN TIGHTEN ALL HARDWARE.
- 4.) MOUNT AND ANCHOR AS SPECIFIED.

TOOLS REQ'D

- 3/4" WRENCH
- 1/2" WRENCH
- 1/2" MASONRY DRILL BIT
- DRILL

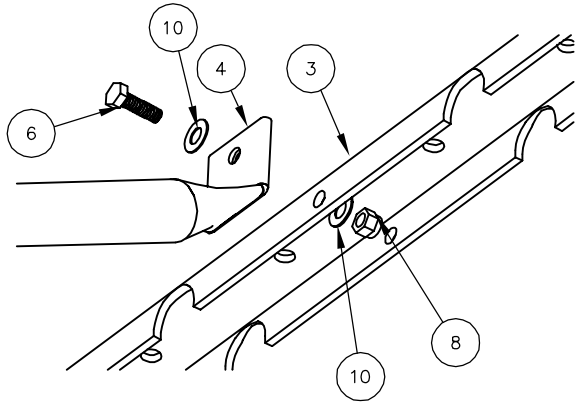
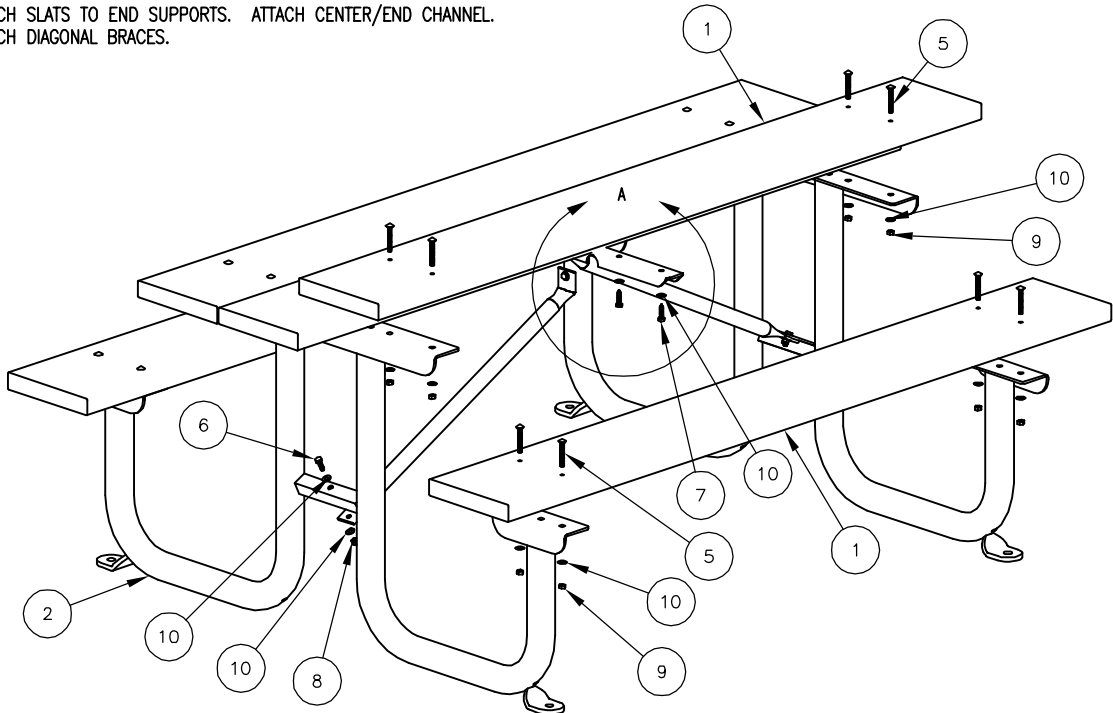
PARTS LIST

ITEM	QTY	PART NO	DESCRIPTION
1	5	0-71-60-01	2" X 10" X 71" SLAT, WOOD
2	2	0-77-00-01	END SUPPORT FRAME
3	1	0-77-00-03	CENTER/END CHANNEL
4	2	0-77-60-02	DIAGONAL BRACE FOR 6' TABLE
5	20	1-11-062	5/16" X 2 1/4" SS CGE BOLT
6	4	1-12-061	5/16" X 1" SS HEX HD CAP SCR
7	6	1-13-001	5/16" X 1 1/4" SS HEX HD LAG SCR
8	4	1-20-016	5/16" SS NYLON LOCKNUT
9	20	1-21-015	5/16" SS HEX NUT
10	34	1-22-017	5/16" SS FLAT WASHER

KITS PROVIDED

ITEM	QTY	PART NO	DESCRIPTION
11	1	K-77	77 SER HARDWARE KIT
12	1	K-ANC0860-4	1/2" X 3 3/4" SS ANCHOR KIT (4PC)

- ① ATTACH SLATS TO END SUPPORTS. ATTACH CENTER/END CHANNEL.
ATTACH DIAGONAL BRACES.



VIEW A



ASSEMBLY INSTRUCTIONS

DATE DRAWN : 03/22/94
 DRAWN BY : AWH
 DATE REV. : 10/18/16
 REV. BY : ESS

REV. G

DRAWING NUMBER

77 SERIES