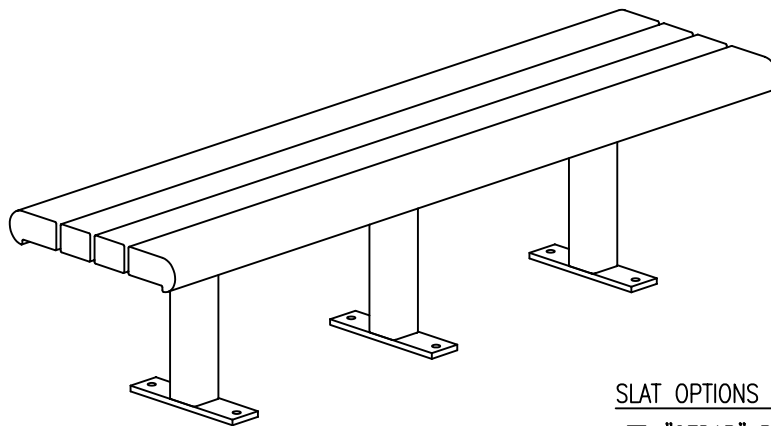
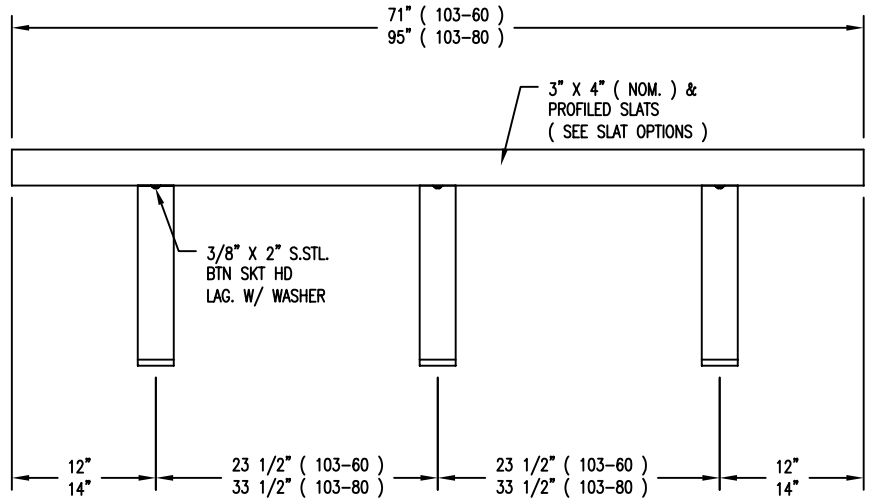
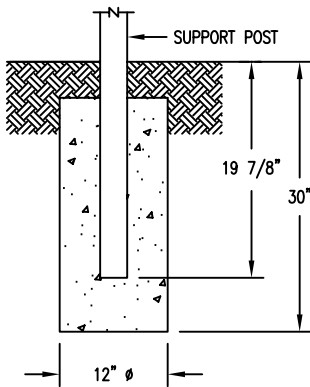


S-2 SURFACE

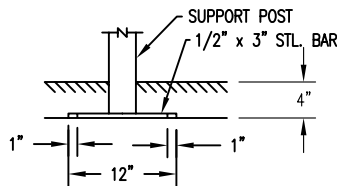


SLAT OPTIONS

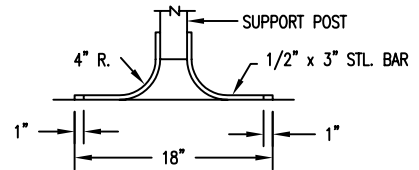
- "CEDAR" RECYCLED PLASTIC
- "GREY" RECYCLED PLASTIC
- "REDWOOD" RECYCLED PLASTIC
- "WALNUT" RECYCLED PLASTIC
- OTHER \_\_\_\_\_



S-1 EMBEDMENT



S-4 SUB FLOOR



S-3 GULL WING

NOTES

- 1.) ALL STL. MEMBERS COATED W/ ZINC RICH EPOXY THEN FINISHED W/ POLYESTER POWDER COATING.
- 2.) 1/2" X 3 3/4" EXPANSION ANCHOR BOLTS PROVIDED FOR S-2, S-3 & S-4 OPTIONS.

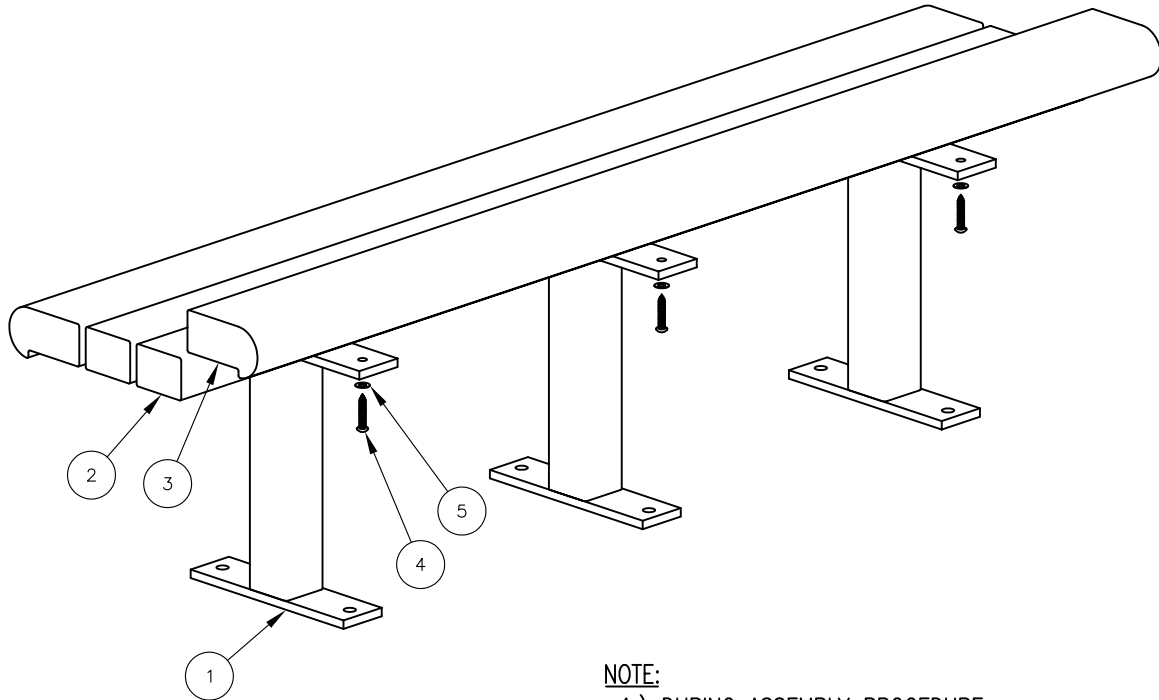
LENGTH OPTIONS

- 6' BENCH
- 8' BENCH

**DuMor, inc.**  
 P.O. Box 142 Mifflintown, PA 17059-0142

SCALE : NONE  
 DATE DRAWN : 12/12/96  
 DRAWN BY : AH  
 DATE REV. : 10/26/11  
 REV. BY : JSB

TITLE : BENCH  
 REV. D  
 DRAWING NUMBER 103 SERIES PL  
 SHEET 1 OF 2



**NOTE:**

- 1.) DURING ASSEMBLY PROCEDURE;  
DO NOT COMPLETELY TIGHTEN HARDWARE.
- 2.) THE ACTUAL PARTS WILL NOT BE NUMBERED:  
NUMBERS ONLY APPLY TO DRAWING.
- 3.) SEE SPEC. SHEET 1 FOR MOUNTING OPTIONS.

**STEP 1:**

- USE 3 - PCS. SUPPORT FOR SURFACE MOUNT ( 1 )
- 2 - PCS. 3" X 4" X 71" PLASTIC INT'R SLAT ( 2 )
- 2 - PCS. 71" PLASTIC EDGE SLAT ( 3 )
- 12 - PCS. 3/8" X 2" SS. BTN. SKT. HD. LAG SCR. ( 4 )
- 12 - PCS. 3/8" SS. FLAT WASHER ( 5 )

ATTACH SLATS ( 2 & 3 ) TO SUPPORT FOR SURFACE MOUNT ( 1 ) USING HARDWARE ( 4 & 5 ). TIGHTEN TO SNUG FIT. REPEAT UNTIL ALL SLATS ARE ATTACHED.

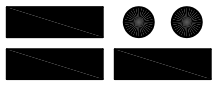
**STEP 2:**

UPON COMPLETION OF BENCH ASSEMBLY SQUARE ALL COMPONENTS THEN TIGHTEN ALL HARDWARE.

**STEP 3:**

ANCHOR ACCORDING TO SUPPORT OPTION USED.

ITEM	QTY	PART NO	DESCRIPTION
1	3	0-103-00-01/S-2	SUPPORT FOR SURFACE MOUNT
2	2	0-88-60PL-02	3" X 4" X 71" PLASTIC INT'R SLAT
3	2	0-88-60PL-03	71" PLASTIC EDGE SLAT
4	12	1-13-016	3/8" X 2" SS BTN SKT HD LAG SCR
5	12	1-22-024	3/8" SS FLAT WASHER

 <b>DuMor, inc.</b> P.O. Box 142 Mifflintown, PA 17059-0142	SCALE :	NONE	TITLE : <h2 style="margin: 0;">BENCH ASSEMBLY</h2>		
	DATE DRAWN :	12/15/96			
	DRAWN BY :	AH	REV. : <h1 style="margin: 0;">C</h1>	DRAWING NUMBER <h2 style="margin: 0;">103 SERIES PL</h2>	SHEET 2 OF 2
	DATE REV. :	12/03/09			
REV. BY :	ESS				