

LENGTH OPTIONS

- 6' BENCH
- 8' BENCH

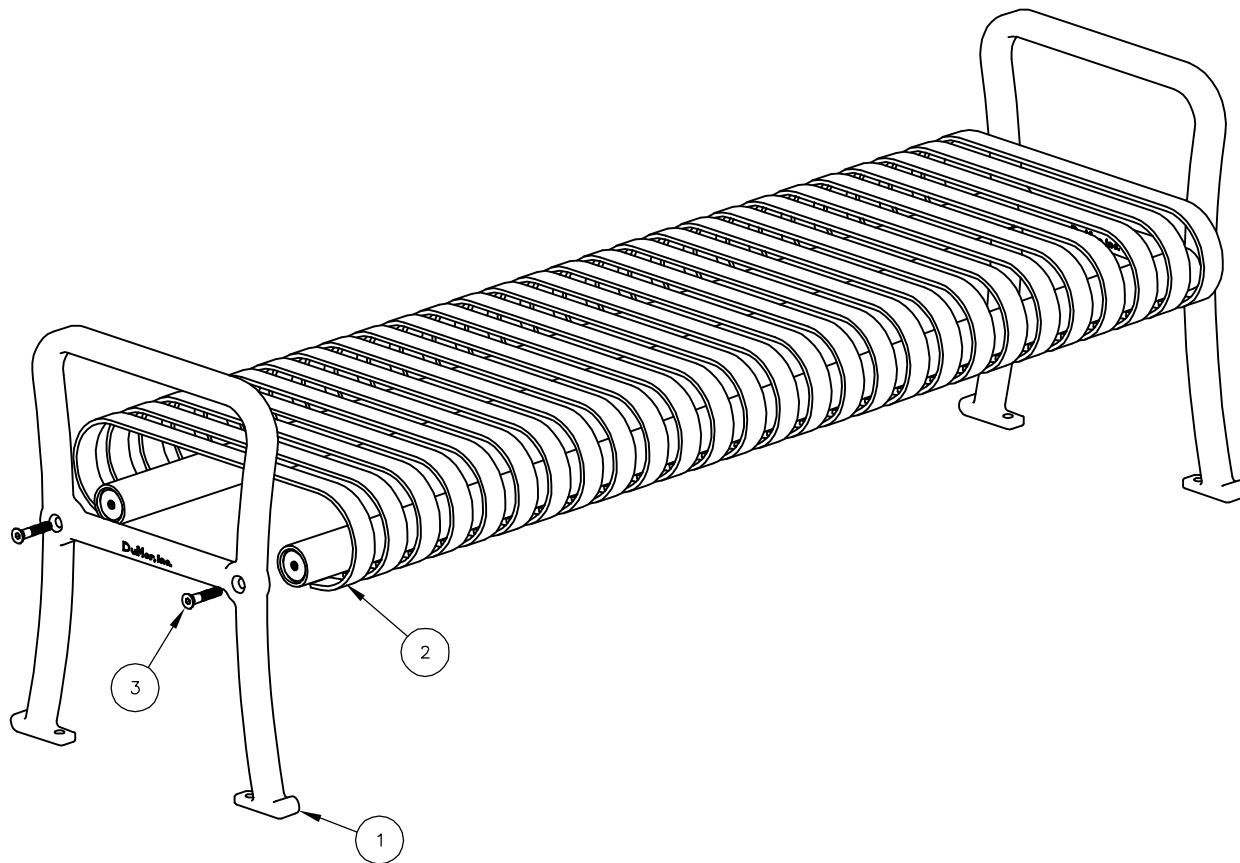
NOTES:

- 1.) ALL STL. MEMBERS COATED W/ ZINC RICH EPOXY THEN FINISHED W/ POLYESTER POWDER COATING.
- 2.) 1/2" X 3 3/4" EXPANSION ANCHOR BOLTS PROVIDED.
- 3.) BENCH IS SHIPPED UNASSEMBLED.

**DuMor, inc.**  
P.O. Box 142 Mifflintown, PA 17059-0142

SCALE :	NONE
DATE DRAWN :	12/12/00
DRAWN BY :	JSB
DATE REV. :	1/13/04
REV. BY :	JSB

TITLE :		BENCH	
REV. :	DRAWING NUMBER	95 SERIES	SHEET 1 OF 2
C			



**NOTE:**

- 1.) DURING ASSEMBLY PROCEDURE;  
DO NOT COMPLETELY TIGHTEN HARDWARE.
- 2.) THE ACTUAL PARTS WILL NOT BE NUMBERED;  
NUMBERS ONLY APPLY TO DRAWING.

**STEP 1:**

USE 2 - PCS. BKLS CAST IRON BENCH SUPPORT ( 1 )  
 1 - PC. 6' ALL STL SEAT ( 2 )  
 4 - PCS. 1/2" X 2 1/2" FLT. SKT. HD. CAP SCR. ( 3 )  
 ATTACH CAST IRON SUPPORT ( 1 ) TO 6' ALL STL SEAT ASSEMBLY  
 ( 2 ) USING HARDWARE ( 3 ). TIGHTEN TO SNUG FIT.

**STEP 2:**

UPON COMPLETION OF BENCH ASSEMBLY SQUARE ALL  
 COMPONENTS THEN TIGHTEN ALL HARDWARE.

**STEP 3:**

MOUNT AND ANCHOR AS SPECIFIED.

ITEM	QTY	PART NO	DESCRIPTION
1	2	0-95-00-02	BKLS CAST IRON BENCH SUPPORT
2	1	0-95-60-05	6' STL BENCH
3	4	1-12-065	1/2" X 2 1/2" FLT SKT HD CAP SCR



**DuMor, inc.**  
 P.O. Box 142 Mifflintown, PA 17059-0142

SCALE : NONE  
 DATE DRAWN : 12/12/00  
 DRAWN BY : JSB  
 DATE REV. : 1/13/04  
 REV. BY : JSB

TITLE : BENCH ASSEMBLY

REV. C	DRAWING NUMBER 95 SERIES	SHEET 2 OF 2
--------	--------------------------	--------------