

- |   |   |
|---|---|
| <u>W/ 2" x 4" SLATS</u>                     | <u>W/ 3" x 4" SLATS</u>                     |
| <input type="checkbox"/> 98-62 ( 6' BENCH ) | <input type="checkbox"/> 98-63 ( 6' BENCH ) |

NOTES

- 1.) ALL STL. MEMBERS COATED W/ ZINC RICH EPOXY THEN FINISHED W/ POLYESTER POWDER COATING.
- 2.) ALL WOOD MEMBERS TREATED W/ CLEAR PRESERVATIVE.
- 3.) 1/2" X 3 3/4" EXPANSION ANCHOR BOLTS PROVIDED.

WOOD OPTIONS

- 'C' & BTR. DOUGLAS FIR KD S4S EE
- IPE S4S EE
- OTHER \_\_\_\_\_

  
**DuMor, inc.**  
 P.O. Box 142 Mifflintown, PA 17059-0142

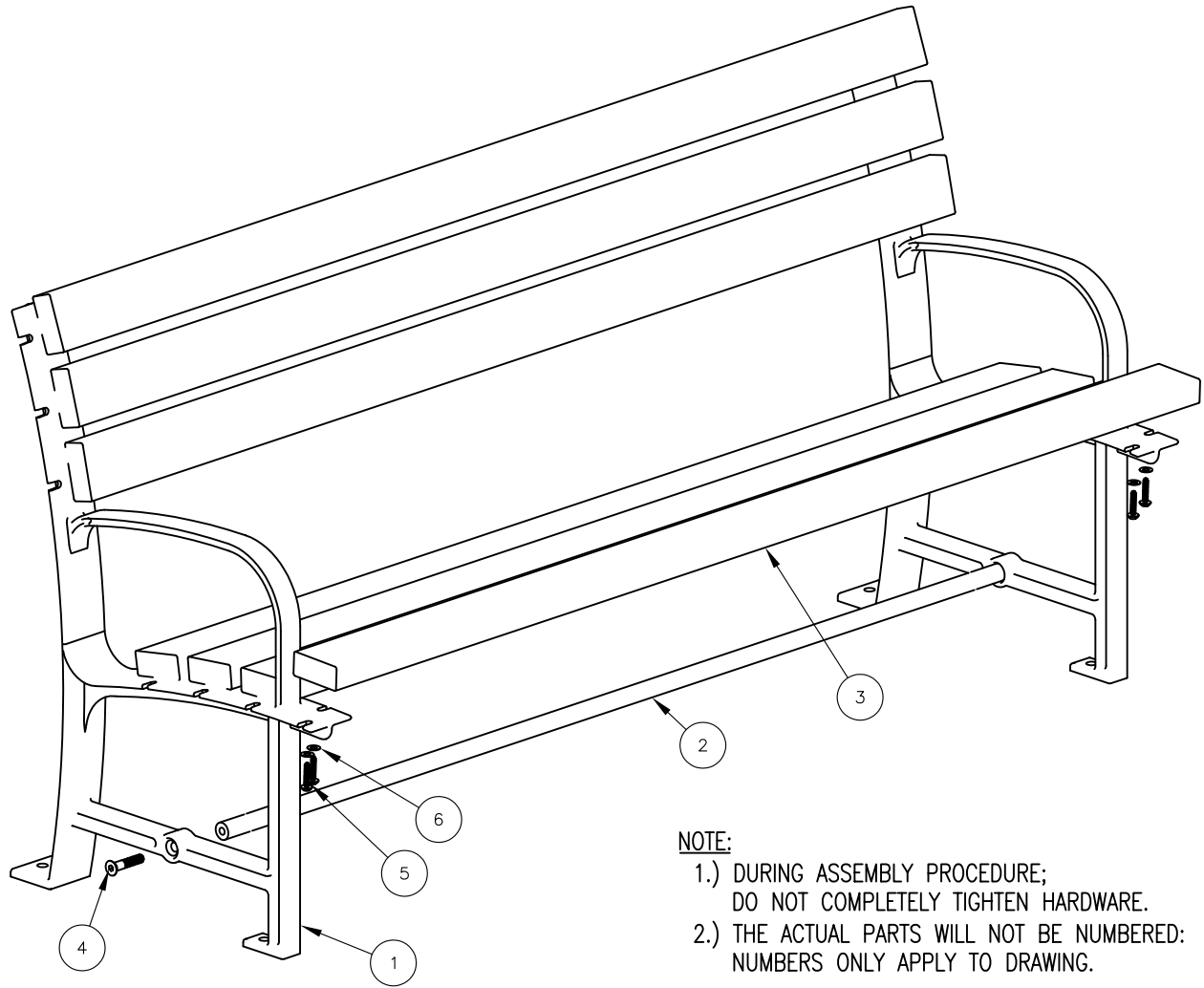
SCALE : NONE  
 DATE DRAWN : 11/15/94  
 DRAWN BY : AH  
 DATE REV. : 10/26/11  
 REV. BY : ESS

TITLE : BENCH

REV. E

DRAWING NUMBER 98-60

SHEET 1 OF 2



**NOTE:**

- 1.) DURING ASSEMBLY PROCEDURE;  
DO NOT COMPLETELY TIGHTEN HARDWARE.
- 2.) THE ACTUAL PARTS WILL NOT BE NUMBERED;  
NUMBERS ONLY APPLY TO DRAWING.

**STEP 1:**

USE 2 - PCS. CAST IRON SUPPORT ( 1 )  
 1 - PC. 63 7/8" PIPE BRACE ( 2 )  
 2 - PCS. 1/2" X 2 1/2" FLT. SKT. HD. CAP SCR. ( 4 )  
 ATTACH CAST IRON SUPPORT ( 1 ) TO 63 7/8" PIPE BRACE  
 ( 2 ) USING HARDWARE ( 4 ). TIGHTEN TO SNUG FIT.

**STEP 2:**

USE 7 - PCS. 2" X 4" X 71" WOOD SLAT ( 3 )  
 28 - PCS. 5/16" X 1 1/2" SS. BTN. SKT. HD. LAG SCR. ( 5 )  
 28 - PCS. 5/16" SS. FLAT WASHER ( 6 )  
 ATTACH 2" X 4" X 71" WOOD SLAT ( 3 ) TO STEP 1 ASSEMBLY  
 USING HARDWARE ( 5 & 6 ). TIGHTEN TO SNUG FIT. REPEAT  
 UNTIL ALL SLATS ARE ATTACHED.

**STEP 3:**

UPON COMPLETION OF BENCH ASSEMBLY SQUARE  
 ALL COMPONENTS THEN TIGHTEN ALL HARDWARE.

**STEP 4:**

MOUNT AND ANCHOR AS SPECIFIED.

ITEM	QTY	PART NO	DESCRIPTION
1	2	0-98-00-02	CAST IRON SUPPORT (98)
2	1	0-98-60-03	3/4" SCH 40 PIPE BRACE ( 63 7/8" )
3	7	0-98-62-01	2" X 4" X 71" WOOD SLAT
4	2	1-12-065	1/2" X 2 1/2" FLT SKT HD CAP SCR
5	28	1-13-023	5/16" X 1 1/2" SS BTN SKT HD LAG
6	28	1-22-017	5/16" SS FLAT WASHER

**DuMor, inc.**  
 P.O. Box 142 Mifflintown, PA 17059-0142

SCALE : NONE  
 DATE DRAWN : 12/6/99  
 DRAWN BY : JSB  
 DATE REV. : 12/15/08  
 REV. BY : ESS

TITLE : BENCH ASSEMBLY

REV. D DRAWING NUMBER 98-60

SHEET 2 OF 2