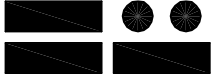


NOTES

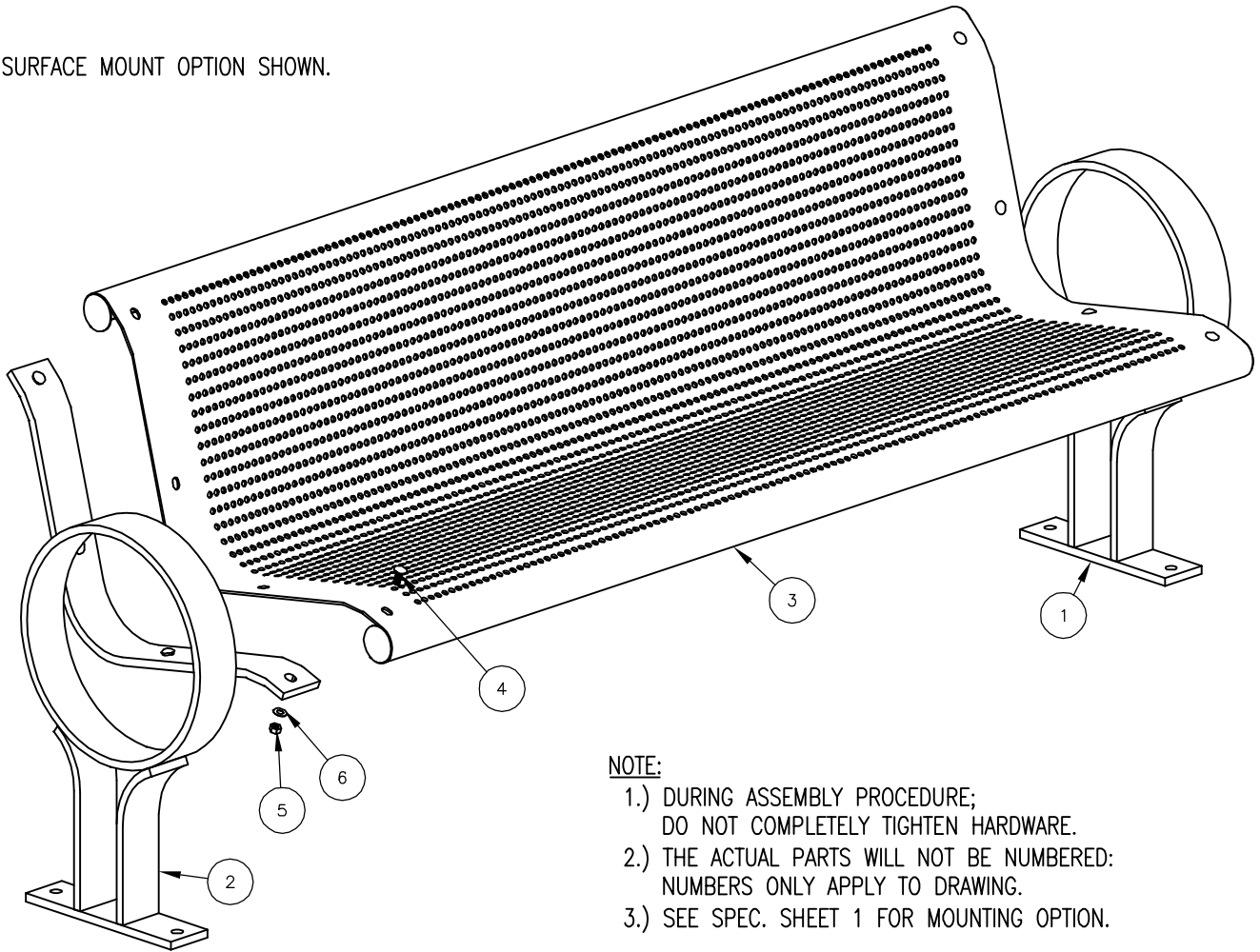
- 1.) ALL STL. MEMBERS COATED W/ ZINC RICH EPOXY THEN FINISHED W/ POLYESTER POWDER COATING.
- 2.) 1/2" X 3 3/4" EXPANSION ANCHOR BOLTS PROVIDED FOR S-2, S-3 & S-4 OPTIONS.

LENGTH OPTIONS

- 6' BENCH
- 8' BENCH

 DuMor, inc. P.O. Box 142 Mifflintown, PA 17059-0142	SCALE :	NONE	TITLE :	BENCH	
	DATE DRAWN :	5/18/94	REV. :	C	DRAWING NUMBER
	DRAWN BY :	AH			
	DATE REV. :	11/10/99			
REV. BY :	JSB		59 SERIES	SHEET	1 OF 2

SURFACE MOUNT OPTION SHOWN.



NOTE:

- 1.) DURING ASSEMBLY PROCEDURE;
DO NOT COMPLETELY TIGHTEN HARDWARE.
- 2.) THE ACTUAL PARTS WILL NOT BE NUMBERED:
NUMBERS ONLY APPLY TO DRAWING.
- 3.) SEE SPEC. SHEET 1 FOR MOUNTING OPTION.

STEP 1:

- USE 1 – PC. LEFT SUPPORT FOR SURFACE MOUNT (1)
- 1 – PC. 6’ STL. SEAT ASSEMBLY (3)
- 4 – PCS. 3/8” X 1” SS. CGE. BOLT (4)
- 4 – PCS. 3/8” SS. HEX NUT (5)
- 4 – PCS. 3/8” SS. FLAT WASHER (6)

ATTACH LEFT SUPPORT FOR SURFACE MOUNT (1)
TO 6’ STL. SEAT ASSEMBLY (3) USING HARDWARE (4, 5, & 6).
TIGHTEN TO SNUG FIT.

STEP 3:

UPON COMPLETION OF BENCH ASSEMBLY SQUARE ALL
COMPONENTS THEN TIGHTEN ALL HARDWARE.

STEP 4:

ANCHOR ACCORDING TO SUPPORT OPTION USED.

STEP 2:

- USE 1 – PC. RIGHT SUPPORT FOR SURFACE MOUNT (2)
- 4 – PCS. 3/8” X 1” SS. CGE BOLT (4)
- 4 – PCS. 3/8” SS. HEX NUT (5)
- 4 – PCS. 3/8” SS. FLAT WASHER (6)

ATTACH RIGHT SUPPORT FOR SURFACE MOUNT (2)
TO STEP 1 ASSEMBLY USING HARDWARE (4, 5, & 6).
TIGHTEN TO SNUG FIT.

ITEM	QTY	PART NO	DESCRIPTION
1	1	0-59-00L-02/S-2	LEFT BENCH SUPPORT FOR SURFACE MOUNT
2	1	0-59-00R-02/S-2	RIGHT BENCH SUPPORT FOR SURFACE MOUNT
3	1	0-59-60-01	6’ PERF 10 GA STL SEAT
4	8	1-11-028	3/8” X 1” SS CGE BOLT
5	8	1-21-007	3/8” SS HEX NUT
6	8	1-22-024	3/8” SS FLAT WASHER

DuMor, inc.
P.O. Box 142 Mifflintown, PA 17059-0142

SCALE : NONE
DATE DRAWN : 5/18/94
DRAWN BY : AH
DATE REV. : 11/10/99
REV. BY : JSB

TITLE : BENCH ASSEMBLY
REV. C
DRAWING NUMBER 59 SERIES
SHEET 2 OF 2