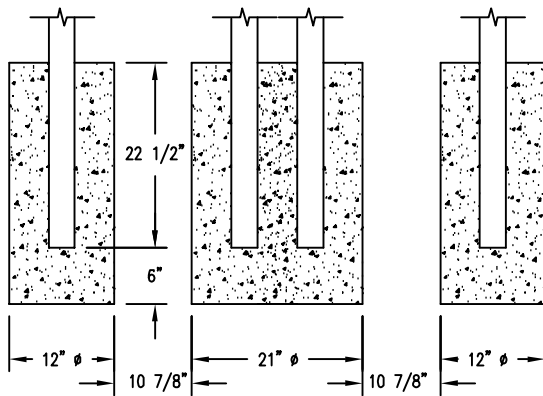
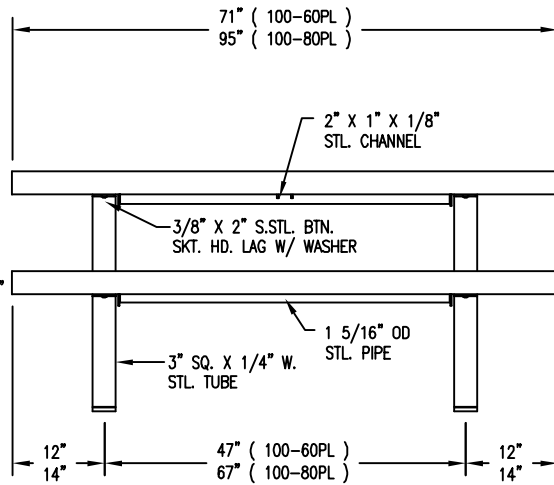
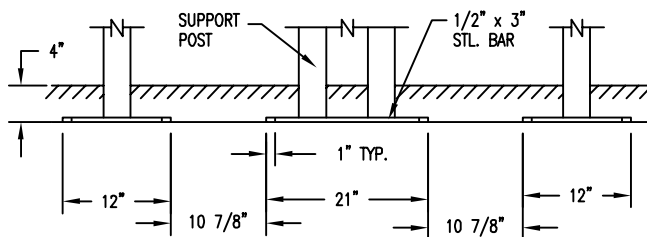


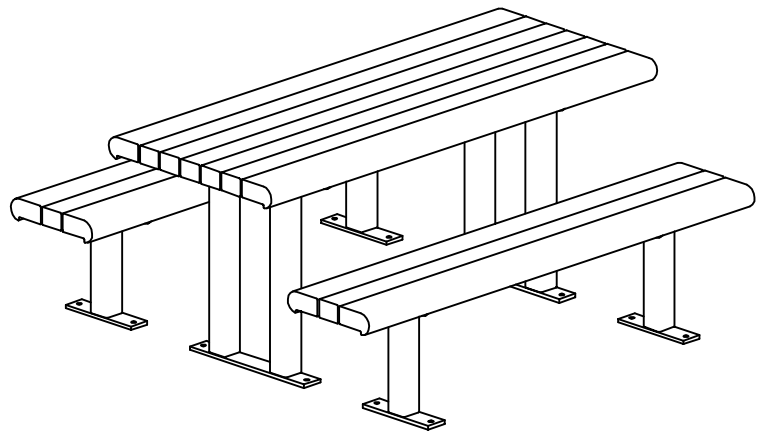
S-2 SURFACE MOUNT



S-1 EMBEDMENT



S-4 SUB FLOOR



LENGTH OPTIONS

- 6' TABLE
- 8' TABLE

SLAT OPTIONS

- "CEDAR" RECYCLED PLASTIC
- "GREY" RECYCLED PLASTIC
- "REDWOOD" RECYCLED PLASTIC
- "WALNUT" RECYCLED PLASTIC
- OTHER \_\_\_\_\_

NOTES:

- 1.) ALL STL. MEMBERS COATED W/ ZINC RICH EPOXY THEN FINISHED W/ POLYESTER POWDER COATING.
- 2.) 1/2" X 3 3/4" EXPANSION ANCHOR BOLTS PROVIDED. FOR OPTIONS S-2 & S-4.



TABLE

DATE DRAWN : 10/10/95  
 DRAWN BY : AH  
 DATE REV. : 01/14/14  
 REV. BY : ESS

REV.  
F

DRAWING  
NUMBER

100 SERIES PL

SHEET  
1 OF 2

PARTS LIST FOR S-2

ITEM	QTY	PART NO	DESCRIPTION
1	2	0-100-00-01/S-2	TABLE TOP SUPPORT FOR SURFACE
2	4	0-100-00-02/S-2	SEAT SUPPORT FOR SURFACE MT
3	1	0-100-60-05	6' TABLE TOP BRACE
4	2	0-100-60-06	6' SEAT BRACE
5	7	0-88-60PL-02	3" X 4" X 71" INT'R SLAT, PLASTIC
6	6	0-88-60PL-03	71" EDGE SLAT, PLASTIC
7	39	1-13-016	3/8" X 2" SS BTN SKT HD LAG SCR
8	39	1-22-024	3/8" SS FLAT WASHER

NOTE:

- 1.) DURING ASSEMBLY PROCEDURE;  
DO NOT COMPLETELY TIGHTEN HARDWARE.
- 2.) THE ACTUAL PARTS WILL NOT BE NUMBERED.  
NUMBERS ONLY APPLY TO DRAWING.
- 3.) UPON COMPLETION OF ASSEMBLY SQUARE  
ALL COMPONENTS THEN TIGHTEN ALL HARDWARE.
- 4.) MOUNT AND ANCHOR AS SPECIFIED.

TOOLS REQ'D

- 3/4" WRENCH  
1/4" ALLEN WRENCH  
1/2" MASONRY DRILL BIT  
DRILL

KITS PROVIDED FOR S-2

ITEM	QTY	PART NO	DESCRIPTION
9	3	K-ANCO860-4	1/2" X 3 3/4" SS ANCHOR KIT (4PC)
10	1	K-BL0632-40	3/8" LAG HARDWARE KIT (40PC)

① ATTACH SLATS & BRACES TO SUPPORTS.

