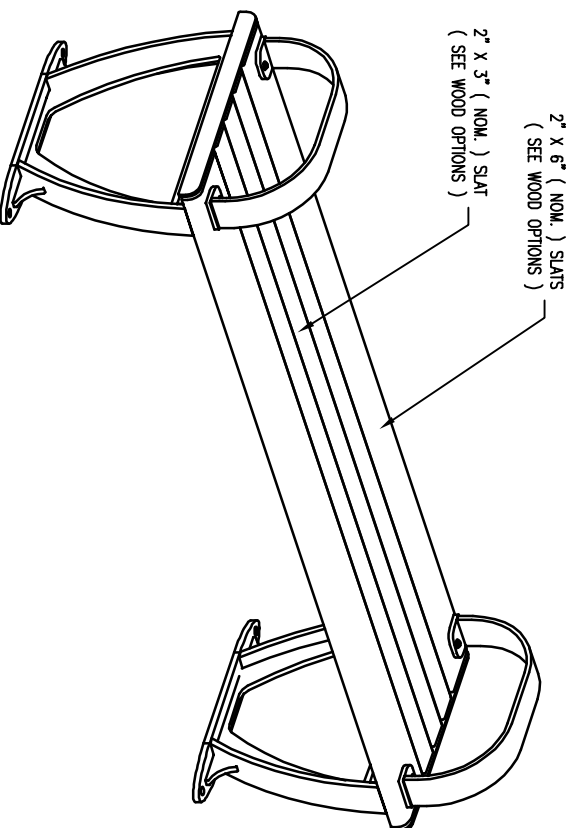


WOOD OPTIONS

- 'C' & BTR. DOUGLAS FIR KD S4S EE
- IPE S4S EE
- OTHER _____

NOTES

- 1.) ALL STL. MEMBERS COATED W/ ZINC RICH EPOXY THEN FINISHED W/ POLYESTER POWDER COATING.
- 2.) 1/2" X 3 3/4" EXPANSION ANCHOR BOLTS PROVIDED.



BENCH

DATE DRAWN : 09/05/14
DRAWN BY : RDH
DATE REV. : 01/04/16
REV. BY : ESS

REV. B	DRAWING NUMBER
--------	----------------

473-60-2AR/S-5