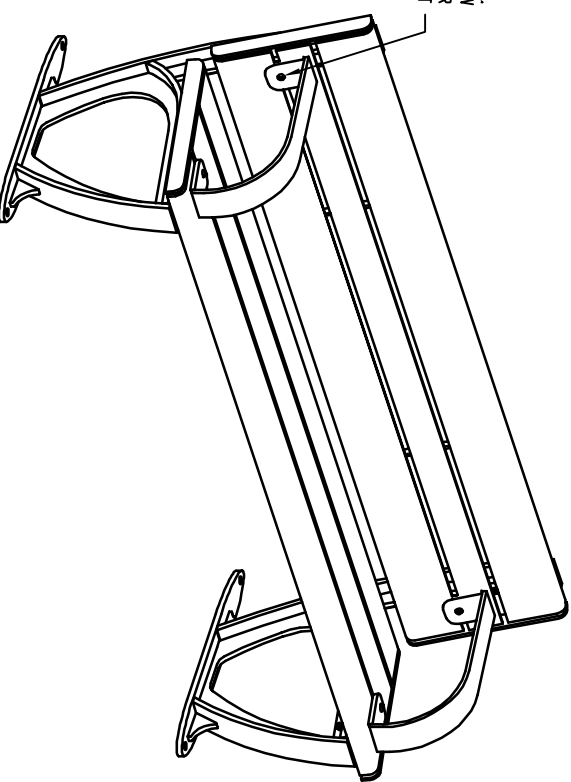


3/8" X 1 1/4" S.STL
BTN. SKT. HD. CAP SCREW
W/ BOLT CLIP, WASHER
& NYLON LOCKNUT



NOTES

- 1.) ALL STL. MEMBERS COATED W/ ZINC RICH EPOXY THEN FINISHED W/ POLYESTER POWDER COATING.
- 2.) 1/2" X 3 3/4" EXPANSION ANCHOR BOLTS PROVIDED.



BENCH

DATE DRAWN : 10/27/14
DRAWN BY : RDH
DATE REV. : 12/31/15
REV. BY : ESS

REV. B
DRAWING NUMBER

472-60HS-2AR/S-5