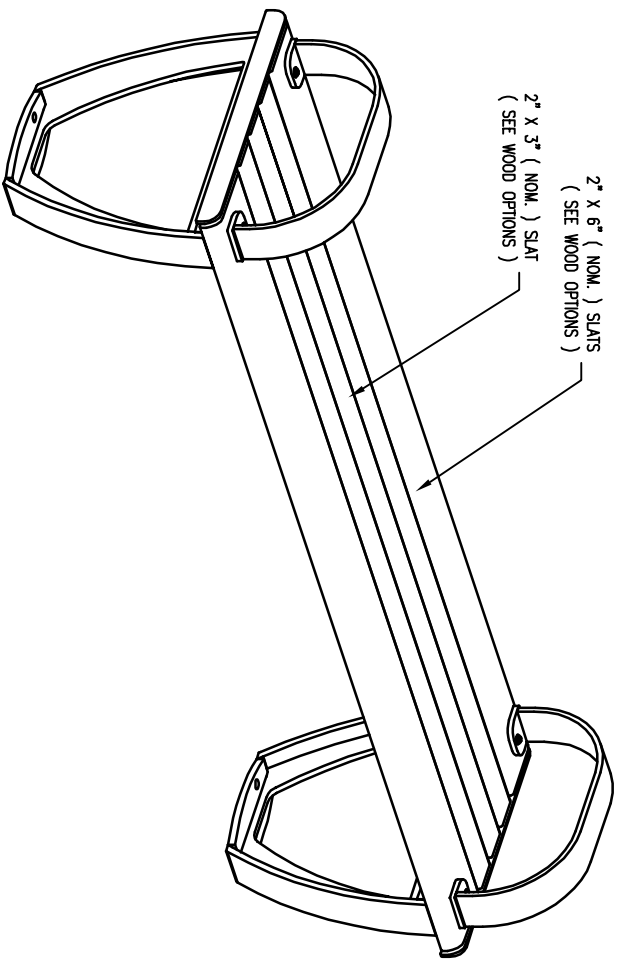


- WOOD OPTIONS**
- 1" C' & BTR. DOUGLAS FIR KD S4S EE
 - IPE S4S EE
 - OTHER _____

- NOTES**
- 1.) ALL STL MEMBERS COATED W/ ZINC RICH EPOXY THEN FINISHED W/ POLYESTER POWDER COATING.
 - 2.) 1/2" X 3 3/4" EXPANSION ANCHOR BOLTS PROVIDED.



BENCH

DATE DRAWN : 10/14/14
 DRAWN BY : RDH
 DATE REV. : 01/04/16
 REV. BY : ESS

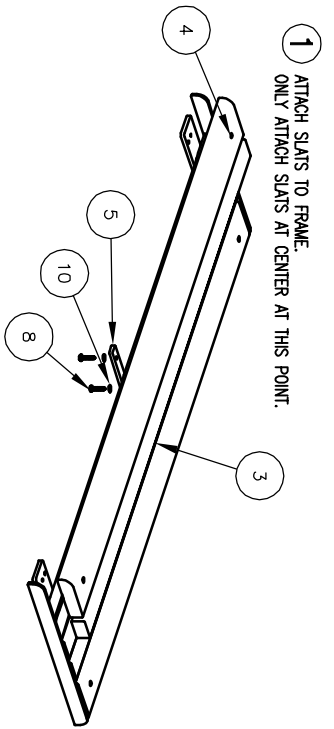
REV. B
 DRAWING NUMBER

473-60-2AR/S-2

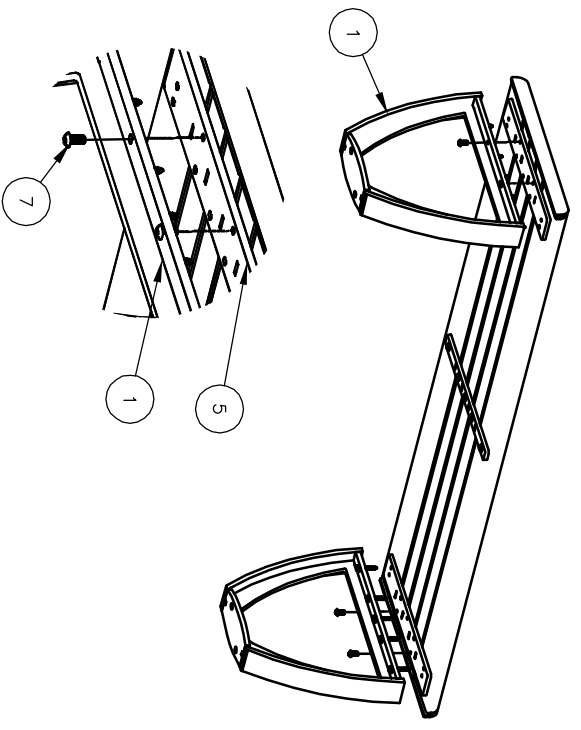
SHEET 1 OF 1

- NOTES:**
- 1.) DURING ASSEMBLY PROCEDURE: DO NOT COMPLETELY TIGHTEN HARDWARE.
 - 2.) THE ACTUAL PARTS WILL NOT BE NUMBERED. NUMBERS ONLY APPLY TO DRAWING.
 - 3.) UPON COMPLETION OF ASSEMBLY SQUARE ALL COMPONENTS THEN TIGHTEN ALL HARDWARE.
 - 4.) MOUNT AND ANCHOR AS SPECIFIED.

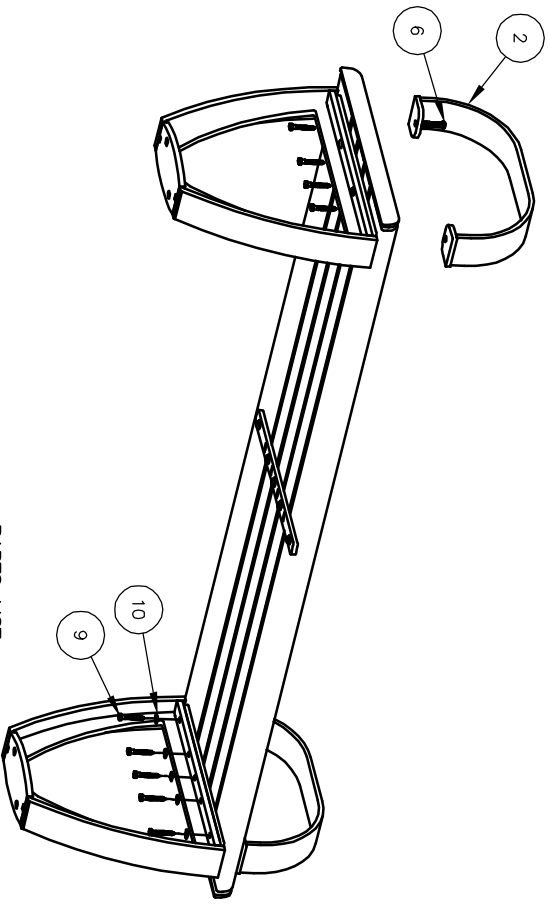
- TOOLS REQ'D**
- 3/4" WRENCH
 - 9/16" WRENCH
 - 1/2" WRENCH
 - 1/4" ALLEN WRENCH
 - 1/2" MASONRY DRILL BIT



2 ATTACH SUPPORTS TO FRAME. INSERT HARDWARE THROUGH SUPPORT INTO TAPPED HOLES IN FRAME.



3 ATTACH ARMRESTS TO STEP 2. INSERT REMAINING HARDWARE THROUGH SUPPORT & FRAME INTO SLATS.




KITS PROVIDED

ITEM	QTY	PART NO	DESCRIPTION
11	1	K-ANCO860-4	1/2" X 3 3/4" SS ANCHOR KIT (4PC)
12	1	K-BO0612-4	3/8" CAP HARDWARE KIT (4PC)
13	2	K-BO0636-2	3/8" CAP HARDWARE KIT (2PC)
14	1	K-BL0524-5	5/16" LAG HARDWARE KIT (5PC)
15	1	K-HL0532-10	5/16" LAG HARDWARE KIT (10PC)

PARTS LIST

ITEM	QTY	PART NO	DESCRIPTION
1	2	0-471-00-01	STL BKLS SUPPORT
2	2	0-471-00AR-06	STL BOLT ON ARMREST
3	3	0-472-60-03	71" INT'R SLAT, WOOD
5	1	0-473-60-02	6" STL BKLS SEAT FRAME
4	2	0-472-60-25	2" X 6" X 71" EDGE PROFILE SLAT, 2 ARMS, WOOD
6	4	1-12-010	3/8" X 2 1/4" SS BUTTON SKT HD CAP SCR
7	4	1-12-133	3/8" X 3/4" SS BIN SKT HD CAP SCR
8	5	1-13-023	5/16" X 1 1/2" SS BIN SKT HD LAG
9	10	1-13-038	5/16" X 2" SS HEX HD LAG SCR
10	15	1-22-017	5/16" SS FLAT WASHER



DUMOR, inc.

ASSEMBLY INSTRUCTIONS

DATE DRAWN : 12/19/14
 DRAWN BY : ESS
 DATE REV. : 01/04/16
 REV. BY : ESS

REV. B

DRAWING NUMBER
473-60-2AR/S-2

SHEET
 2 OF 2