

WOOD OPTIONS

- 'C' & BTR. DOUGLAS FIR KD S4S EE
- IPE S4S EE
- OTHER _____

NOTES

- 1.) ALL STL. MEMBERS COATED W/ ZINC RICH EPOXY THEN FINISHED W/ POLYESTER POWDER COATING.
- 2.) 1/2" X 3 3/4" EXPANSION ANCHOR BOLTS PROVIDED.



BENCH

DATE DRAWN : 02/03/14
DRAWN BY : RDH
DATE REV. : 12/31/15
REV. BY : ESS

REV. C

DRAWING NUMBER

472-60-2AR/S-2

SHEET 1 OF 2

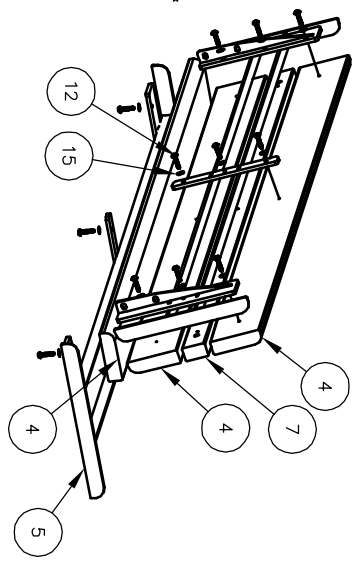
NOTES:

- 1.) DURING ASSEMBLY PROCEDURE:
DO NOT COMPLETELY TIGHTEN HARDWARE.
- 2.) THE ACTUAL PARTS WILL NOT BE NUMBERED.
NUMBERS ONLY APPLY TO DRAWING.
- 3.) UPON COMPLETION OF ASSEMBLY SQUARE
ALL COMPONENTS THEN TIGHTEN ALL HARDWARE.
- 4.) MOUNT AND ANCHOR AS SPECIFIED.

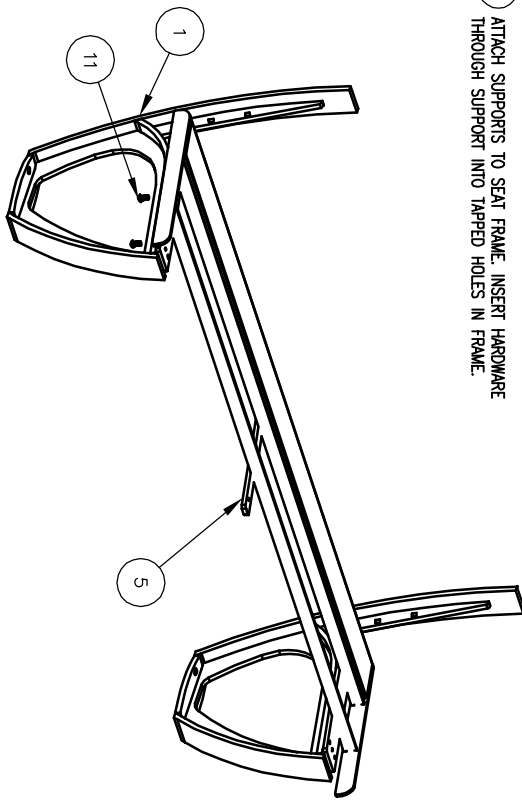
TOOLS REQ'D

- 3/4" WRENCH
- 9/16" WRENCH
- 1/2" WRENCH
- 1/4" ALLEN WRENCH
- 1/2" MASONRY DRILL BIT

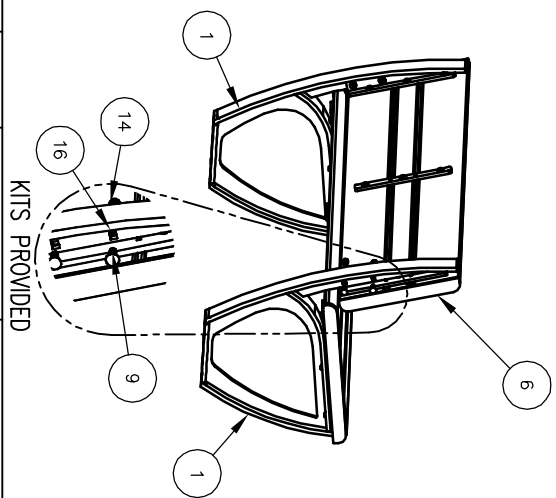
1 ATTACH REAR SEAT SLAT ONLY TO SEAT FRAME.
DO NOT ATTACH FRONT TWO SLATS OF SEAT
ATTACH SLATS TO BACKREST FRAME.



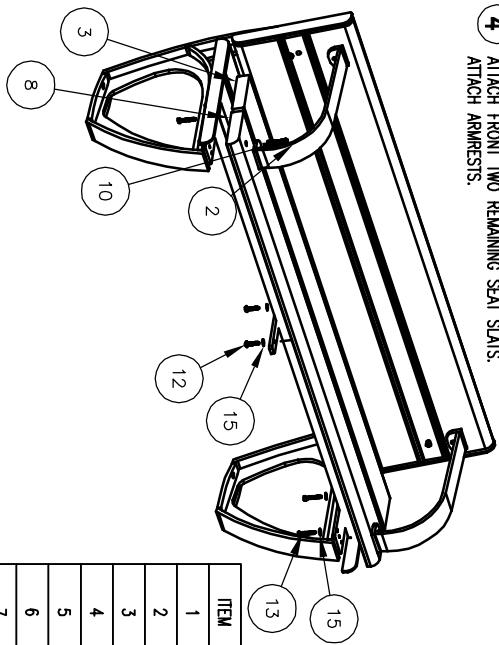
2 ATTACH SUPPORTS TO SEAT FRAME. INSERT HARDWARE THROUGH SUPPORT INTO TAPPED HOLES IN FRAME.



3 ATTACH SUPPORTS TO BACKREST FRAME.



4 ATTACH FRONT TWO REMAINING SEAT SLATS.
ATTACH ARMRESTS.



PARTS LIST

ITEM	QTY	PART NO	DESCRIPTION
1	2	0-470-00-01	STL SUPPORT
2	2	0-470-00AR-06	STL ARMREST
3	1	0-472-60-04	71" INTR SLAT, WOOD
4	3	0-472-60-05	2" X 6" X 71" EDGE PROFILE SLAT, WOOD
5	1	0-472-60-07	STL SEAT FRAME
6	1	0-472-60-08	STL BACKREST FRAME
7	1	0-472-60-23	2" X 3" X 71" INTR SLAT, 2 ARMS, WOOD
8	1	0-472-60-25	2" X 6" X 71" EDGE PROFILE SLAT, 2 ARMS, WOOD
9	4	1-11-003	3/8" X 1 1/2" SS CGE BOLT
10	4	1-12-010	3/8" X 2 1/4" SS BUTTON SKT HD CAP SCR
11	4	1-12-133	3/8" X 3/4" SS BIN SKT HD CAP SCR
12	14	1-13-023	5/16" X 1 1/2" SS BIN SKT HD LAG
13	4	1-13-038	5/16" X 2" SS HEX HD LAG SCR
14	4	1-20-007	3/8" SS ANLON LOCKNUT
15	18	1-22-017	5/16" SS FLAT WASHER
16	4	1-22-024	3/8" SS FLAT WASHER

ITEM	QTY	PART NO	DESCRIPTION
17	1	K-ANCD860-4	1/2" X 3 3/4" SS ANCHOR KIT (4PC)
18	1	K-BC0612-4	3/8" CAP HARDWARE KIT (4PC)
19	1	K-BC0636-4	3/8" CAP HARDWARE KIT (4PC)
20	1	K-BLD0524-14	5/16" LAG HARDWARE KIT (14PC)
21	2	K-CG0624-2L	3/8" CGE BOLT HARDWARE KIT W/ LOCK NUTS (2PC)
22	2	K-HLU532-2	5/16" LAG HARDWARE KIT (2PC)



ASSEMBLY INSTRUCTIONS

DATE DRAWN : 06/16/14	REV.
DRAWN BY : ESS	C
DATE REV. : 12/31/15	
REV. BY : ESS	

DRAWING NUMBER
472-60-2AR/S-2